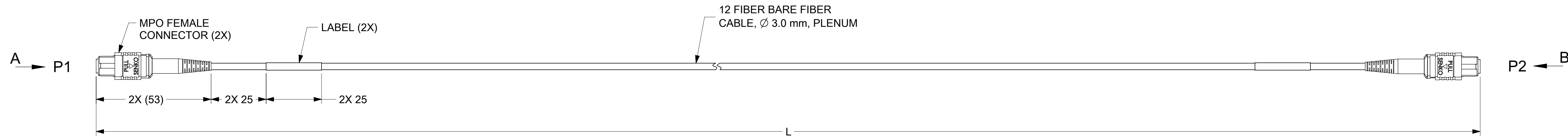
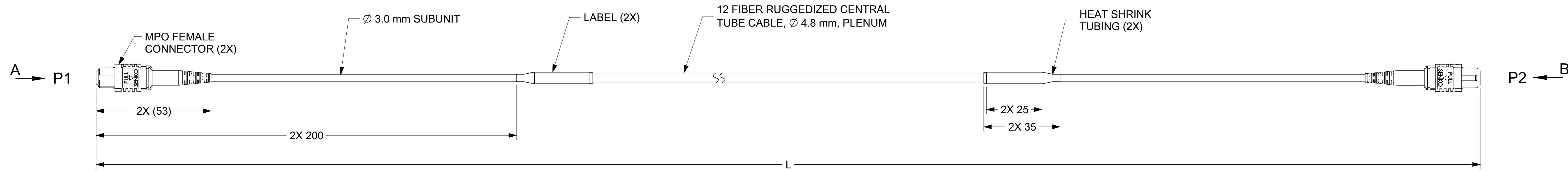


TRUNK CABLE P/N	OVERALL LENGTH, L (m)	CABLE TYPE	FIBER TYPE	CONNECTOR/CABLE COLOR	INSERTION LOSS	RETURN LOSS
1062250100	1.0 +0.2 / -0	SINGLE JACKET	MM 50/125 μm OM3 BIF	AQUA / AQUA	0.35 dB @ 850 nm	---
1062250101	3.0 +0.2 / -0					
1062250102	5.0 +0.2 / -0					
1062250103	10.0 +0.2 / -0					
1062250104	15.0 +0.3 / -0					
1062250105	25.0 +0.5 / -0	RUGGEDIZED CENTRAL TUBE	MM 50/125 μm OM3 BIF	AQUA / AQUA	0.35 dB @ 850 nm	---
1062250106	50.0 +1.0 / -0					
1062250107	100.0 +2.0 / -0	SINGLE JACKET	MM 50/125 μm OM4 BIF	AQUA / AQUA	0.35 dB @ 850 nm	---
1062250110	1.0 +0.2 / -0					
1062250111	3.0 +0.2 / -0					
1062250112	5.0 +0.2 / -0					
1062250113	10.0 +0.2 / -0					
1062250114	15.0 +0.3 / -0	RUGGEDIZED CENTRAL TUBE	MM 50/125 μm OM4 BIF	AQUA / AQUA	0.35 dB @ 850 nm	---
1062250115	25.0 +0.5 / -0					
1062250116	50.0 +1.0 / -0	SINGLE JACKET	SM 9/125 μm OS2 ITU-T G.657.A1 BIF	YELLOW / YELLOW	0.35 dB @ 1550 nm	- 50 dB @ 1550 nm
1062250117	100.0 +2.0 / -0					
1062250120	1.0 +0.2 / -0					
1062250121	3.0 +0.2 / -0					
1062250122	5.0 +0.2 / -0					
1062250123	10.0 +0.2 / -0	RUGGEDIZED CENTRAL TUBE	SM 9/125 μm OS2 ITU-T G.657.A1 BIF	YELLOW / YELLOW	0.35 dB @ 1550 nm	- 50 dB @ 1550 nm
1062250124	15.0 +0.3 / -0					
1062250125	25.0 +0.5 / -0	RUGGEDIZED CENTRAL TUBE	SM 9/125 μm OS2 ITU-T G.657.A1 BIF	YELLOW / YELLOW	0.35 dB @ 1550 nm	- 50 dB @ 1550 nm
1062250126	50.0 +1.0 / -0					
1062250127	100.0 +2.0 / -0					

CONNECTIONS	
FROM	TO
P1-1 THRU P1-12	P2-12 THRU P2-1

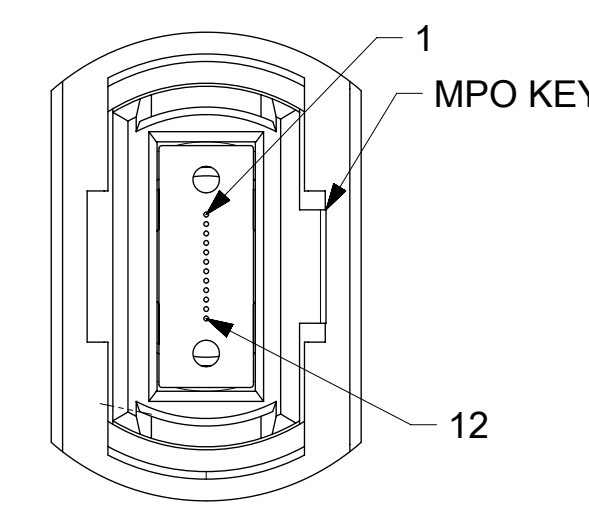


SINGLE JACKET

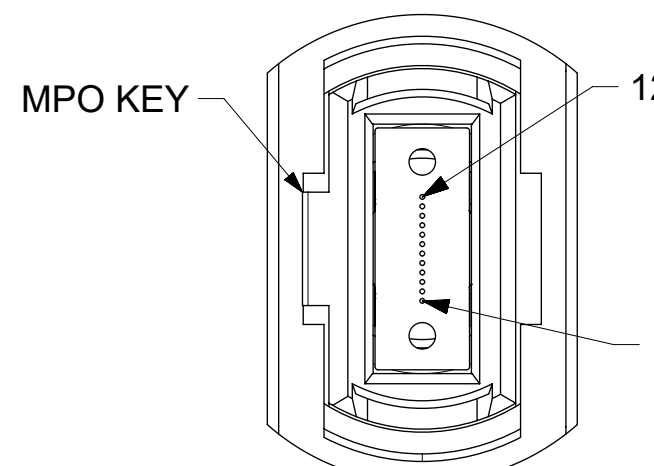


RUGGEDIZED CENTRAL TUBE

- NOTES:
1. ENDCAPS ARE NOT SHOWN BUT INLCUDED.
 2. LABEL IS PRINTED WITH MOLEX P/N AND SERIAL NUMBER.
 3. FOR DETAILED PRODUCT SPECIFICATION SEE DOCUMENT 1062250000 ES.
 4. CABLE CONSTRUCTION:
 - L < 25 meters - SINGLE JACKET CABLE
 - L ≥ 25 meters - RUGGEDIZED CENTRAL TUBE CABLE
 5. INSERTION LOSS TEST DATA IS PROVIDED WITH EACH SHIPMENT.
 6. PACKAGING:
 - L < 50 meters - INDIVIDUALLY COILED AND BAGGED
 - L ≥ 50 meters - SHIPPED ON SPOOLS



VIEW A
SCALE 5:1



VIEW B
SCALE 5:1

THIS DRAWING CONTAINS INFORMATION THAT IS PROPRIETARY TO MOLEX ELECTRONIC TECHNOLOGIES, LLC AND SHOULD NOT BE USED WITHOUT WRITTEN PERMISSION

DIMENSION UNITS	SCALE	CURRENT REV DESC:	
mm	1:1		
GENERAL TOLERANCES (UNLESS SPECIFIED)		EC NO: 688262	
ANGULAR TOL	± °	DRWN: JHUANG18	2021/12/08
4 PLACES	±	CHK'D: IGUMIN	2021/12/10
3 PLACES	±	APPR: IGUMIN	2021/12/10
2 PLACES	±	INITIAL REVISION:	
1 PLACE	±	DRWN: MAGHAYERE01	2018/04/30
0 PLACES	±	APPR: IGUMIN	2018/05/16
DRAFT WHERE APPLICABLE MUST REMAIN WITHIN DIMENSIONS		THIRD ANGLE PROJECTION	DRAWING
		D-SIZE	SERIES
		106225	MATERIAL NUMBER
		SEE TABLE	CUSTOMER
		SHEET NUMBER	
		1 OF 1	

molex

MPO(F) - MPO(F) TRUNK CABLE, 12 FIBER, PLENUM

PRODUCT CUSTOMER DRAWING

DOCUMENT NUMBER	DOC TYPE	DOC PART	REVISION
1062250100	PSD	000	B