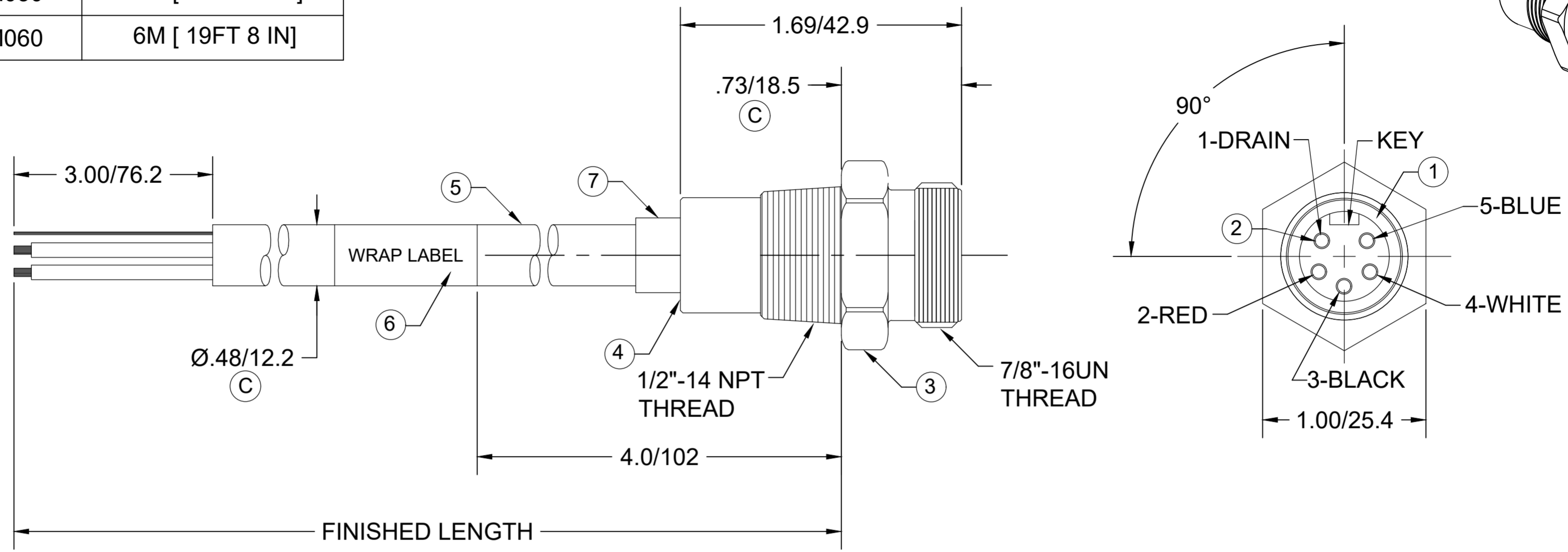


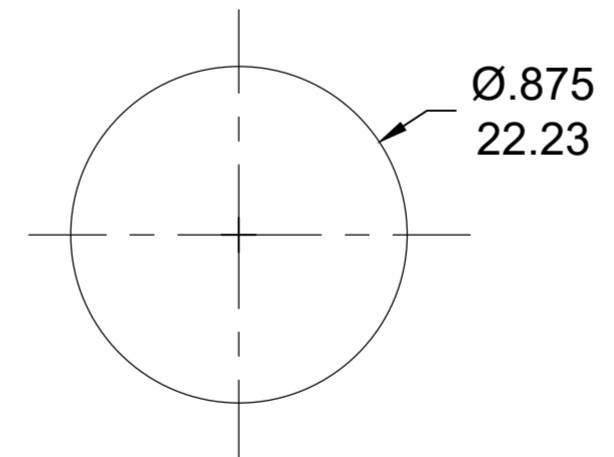
MATERIAL NUMBER	ENGINEERING NUMBER	FINISHED LENGTH
1300390296	DN5100-M003	0.3M [ 1FT ]
1300390301	DN5100-M030	3M [ 9FT 10 IN ]
1300390304	DN5100-M060	6M [ 19FT 8 IN ]



- NOTES:
- MATERIAL: AS NOTED
  - FINISH: AS NOTED
  - ELECTRICAL:  
VOLTAGE RATING PER IEC 60664: 300V  
VOLTAGE RATING PER UL: 300V  
CURRENT: 4A
  - TEMP RATING: -20° TO +60°C
  - PROTECTION: IP67 (WHEN MATED)
  - COUPLING THREAD- AS NOTED
  - UL LISTED FILE: E152210  
CSA CERTIFIED FILE: LR6837
  - ALL DIMENSIONS ARE FOR REFERENCE UNLESS TOLERANCED OR NOTED OTHERWISE

PART NO. MATRIX  
**DN5100M003**

LENGTH  
M003 = .3 METER  
M030 = 3 METER  
M300 = 30 METER



CABLE LENGTH TOLERANCES

>.3M [1FT]:	+19mm-0 [ +.75in-0]
.3 - .9M [1 - 3FT]:	+44.5mm-0 [+1.75in-0]
.9 - 1.8M [3 - 6FT]:	+55.6mm-0 [+2.19in-0]
1.8 - 3.7M [6 - 12FT]:	+88.9mm-0 [+3.50in-0]
3.7 - 7.3M [12 - 24FT]:	+165.1mm-0 [+6.50in-0]
7.3-14.6M [24 - 48FT]:	+317.5mm-0 [+12.50in-0]
14.6 - 30.5M [48-100FT]:	+622.3mm-0 [+24.50in-0]
OVER 30M [100FT]	+2% OF FINISHED LENGTH

ITEM	COMPONENT	MATERIAL	FINISH
1	INSERT	TPE	GRAY
2	CONTACT PIN	COPPER ALLOY	GOLD OVER NICKEL
3	RECEPTACLE SHELL	ZINC	NICKEL
4	POTTING MATERIAL	EPOXY	BLACK
5	TRUNK CABLE 2/15 & 2/18 SHIELD PAIR	PVC	GRAY
6	LABEL	VINYL	BLACK/YELLOW
7	HEAT SHRINK TUBING	POLYOLEFIN	BLACK

THIS DRAWING CONTAINS INFORMATION THAT IS PROPRIETARY TO MOLEX ELECTRONIC TECHNOLOGIES, LLC AND SHOULD NOT BE USED WITHOUT WRITTEN PERMISSION

FUNCTIONAL SYMBOLS	DIMENSION UNITS	SCALE	CURRENT REV DESC: ITEM #1 WAS PVC. NOTES: DIM ADDED ZONE G6 & F9. ADDED PANEL CUTOUT. MODIFIED MATERIAL TABLE
FA=0	INCH/MM	NTS	
FC=0	GENERAL TOLERANCES (UNLESS SPECIFIED)		
FP=0	mm	INCH	
DIVISIONAL SYMBOLS	4 PLACES	±----	EC NO: 643513
	3 PLACES	±----	DRWN: ABENJAMINLW 2020/07/28
	2 PLACES	±----	CHK'D: RSTONE 2020/08/28
	1 PLACE	±----	APPR: BWOODMAN 2020/09/15
	0 PLACES	±----	INITIAL REVISION:
	ANGULAR TOL ± ---- °		DRWN: BWOODMAN 2009/03/12
			APPR: JFMURPHY 2009/03/31
DRAFT WHERE APPLICABLE MUST REMAIN WITHIN DIMENSIONS	THIRD ANGLE PROJECTION	DRAWING	SERIES
		C-SIZE	130039
DOCUMENT STATUS	P1	RELEASE DATE	2020/09/15 20:43:19
DOCUMENT NUMBER		DOC TYPE/DOC PART	REVISION
SD-130039-001		PSD	001 C
MATERIAL NUMBER	CUSTOMER	SHEET NUMBER	
SEE CHART	GENERAL MARKET	1 OF 1	