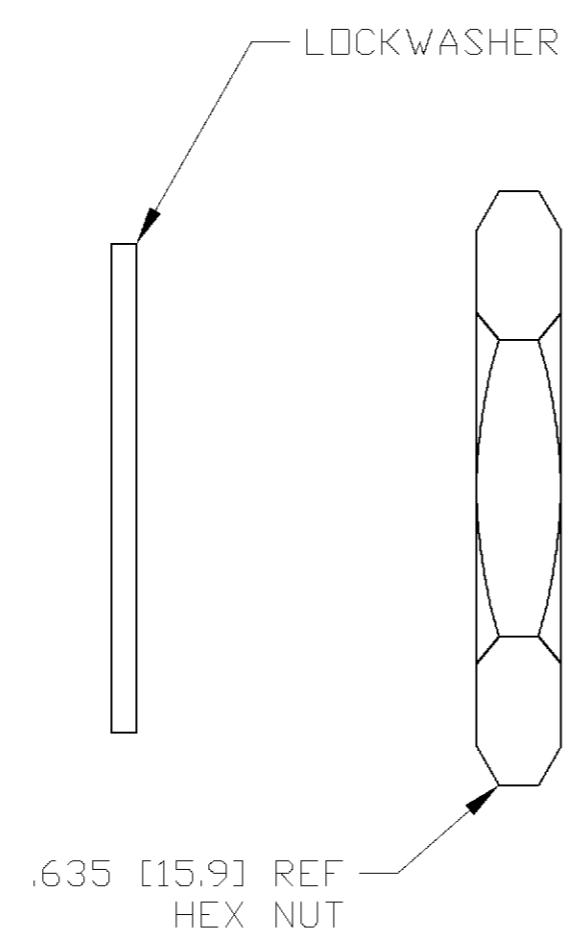
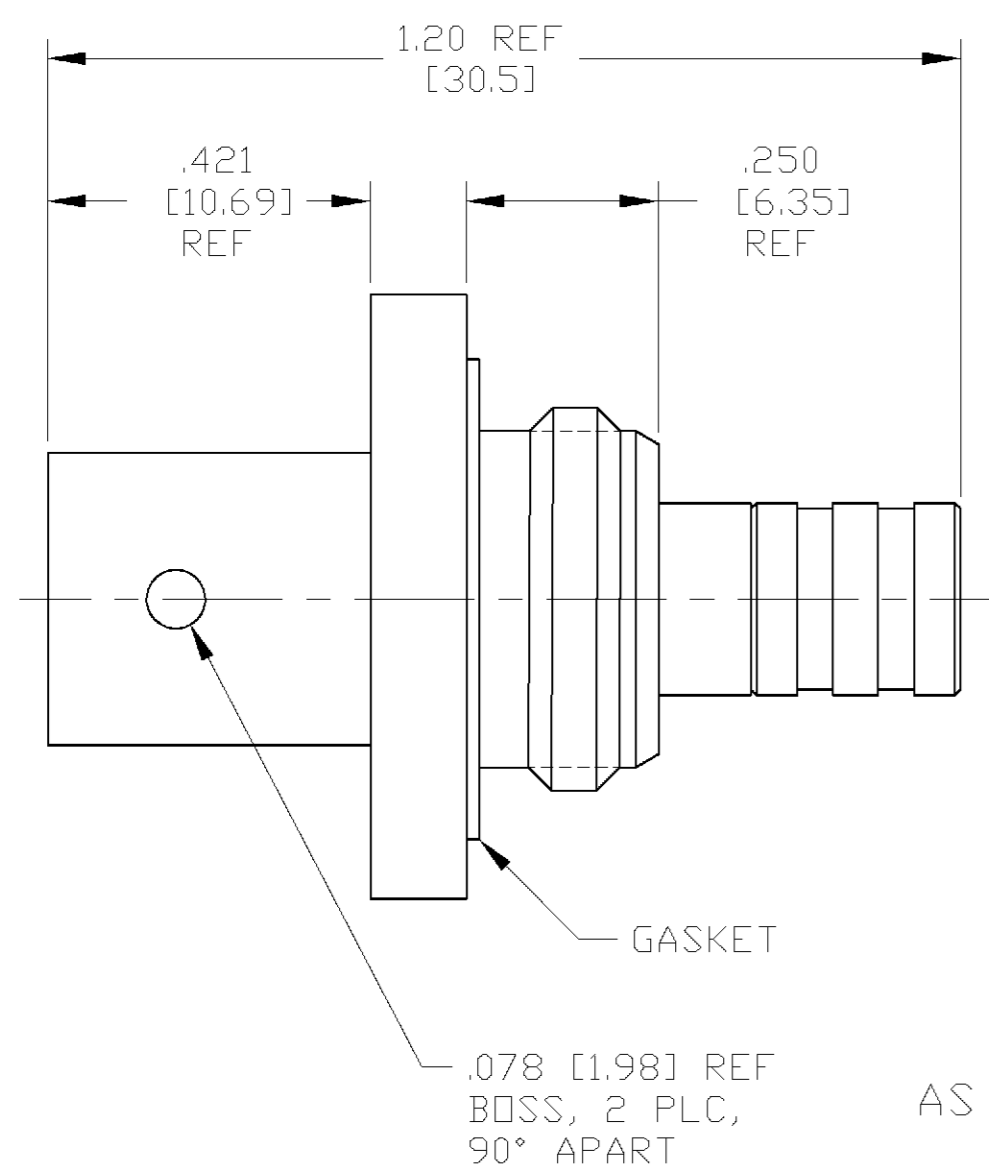
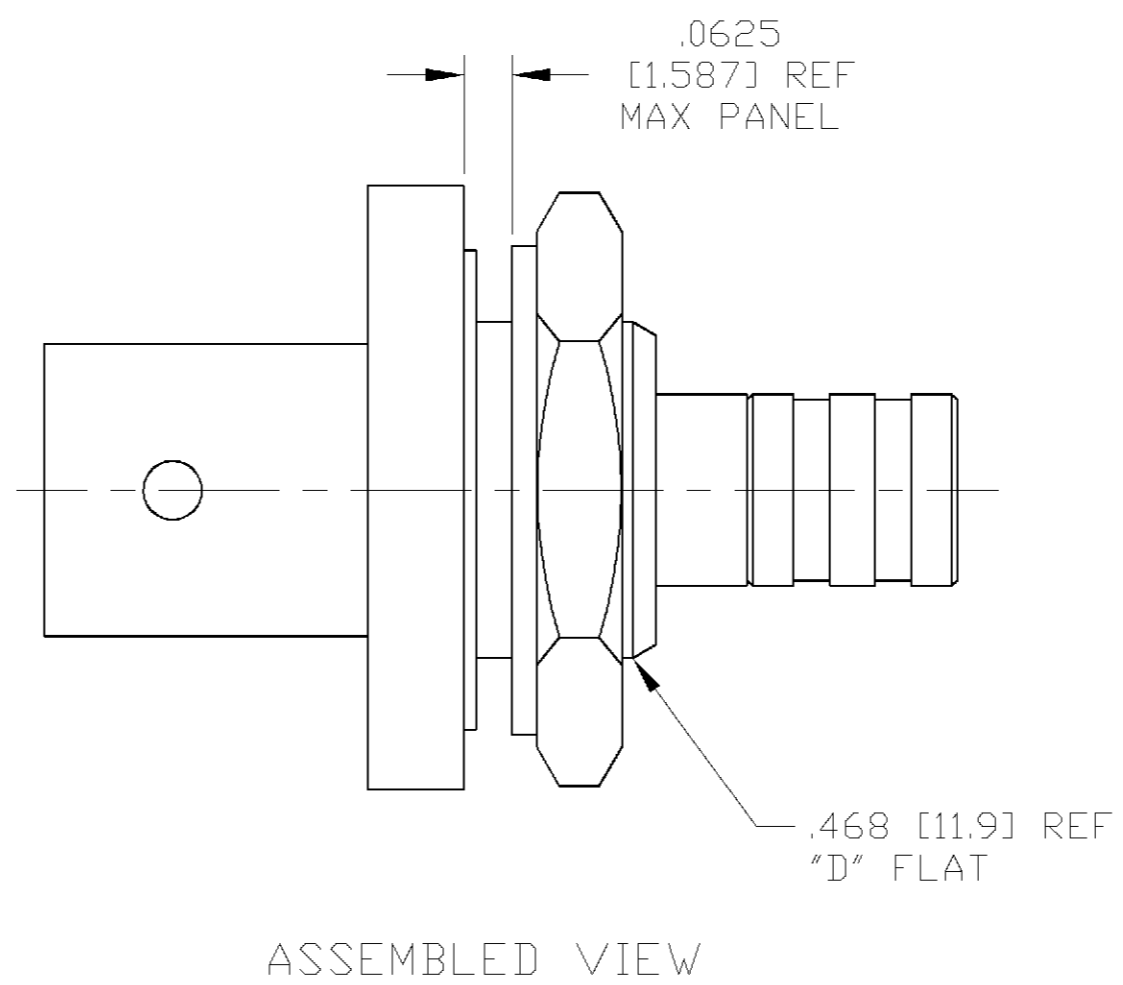


THIS DRAWING IS UNPUBLISHED. RELEASED FOR PUBLICATION N/A, N/A .
 © COPYRIGHT N/A BY TYCO ELECTRONICS CORPORATION. ALL RIGHTS RESERVED.

| LOC | DIST | REVISIONS | | | | | |
|-----|------|-----------|-----|-------------|------|-----|------|
| DF | X0 | P | LTR | DESCRIPTION | DATE | DWN | APVD |
| | | 0 | | RELEASED | 4-02 | CT | RG |

| COMPONENT | MATERIAL | FINISH |
|---------------------------|---|-------------------------------|
| JACK BODY MOUNTING NUT | BRASS PER ASTM-B-16 1/2 HARD | GOLD PLATED PER ASTM-B-488 |
| DIELECTRIC | PTFE FLUORCARBON PER ASTM-D-1457 | - |
| CENTER CONTACT | BERYLLIUM COPPER PER ASTM-B-196 OR ASTM-B-197 ALLOY C17300, CONDITION H | GOLD PLATED PER ASTM-B-488 |
| SLEEVE | STAINLESS STEEL PER ASTM-A-484 OR ASTM-A-582 TYPE 303 | GOLD PLATED PER ASTM-B-488 |
| LOCKWASHER | PHOSPHOR BRONZE PER QQ-B-750 GRADE B2 | GOLD PLATED PER ASTM-B-488 |
| GASKET | SILICONE RUBBER PER ZZ-R-765 | - |



1484361-1
PART NO.

| | | | | | | | | | | | | | | | | | | | | | | |
|--|---|------------------------------|---|--------------------|-------|---|---|-------|---|---|-------|---|---|-------|---|---|--------|---|---|-------------------|------------|--------------------|
| THIS DRAWING IS A CONTROLLED DOCUMENT. | | DWN C.C.THOMAS 4-17-02 | Tyco Electronics Corporation Harrisburg, Pa 17105-3608 | | | | | | | | | | | | | | | | | | | |
| DIMENSIONS: INCHES [mm] | | CHK R.GROSS 4-17-02 | | | | | | | | | | | | | | | | | | | | |
| TOLERANCES UNLESS OTHERWISE SPECIFIED: | | APVD R.GROSS 4-17-02 | NAME OSB JACK TO OSMB JACK ADAPTER,RF | | | | | | | | | | | | | | | | | | | |
| <table border="1"> <tr><td>0 PLC</td><td>±</td><td>-</td></tr> <tr><td>1 PLC</td><td>±</td><td>-</td></tr> <tr><td>2 PLC</td><td>±</td><td>-</td></tr> <tr><td>3 PLC</td><td>±</td><td>-</td></tr> <tr><td>4 PLC</td><td>±</td><td>-</td></tr> <tr><td>ANGLES</td><td>±</td><td>-</td></tr> </table> | | 0 PLC | ± | - | 1 PLC | ± | - | 2 PLC | ± | - | 3 PLC | ± | - | 4 PLC | ± | - | ANGLES | ± | - | PRODUCT SPEC - | SIZE A2 | CAGE CODE 00779 |
| 0 PLC | ± | - | | | | | | | | | | | | | | | | | | | | |
| 1 PLC | ± | - | | | | | | | | | | | | | | | | | | | | |
| 2 PLC | ± | - | | | | | | | | | | | | | | | | | | | | |
| 3 PLC | ± | - | | | | | | | | | | | | | | | | | | | | |
| 4 PLC | ± | - | | | | | | | | | | | | | | | | | | | | |
| ANGLES | ± | - | | | | | | | | | | | | | | | | | | | | |
| MATERIAL SEE TABLE | | FINISH SEE TABLE | DRAWING NO C=1484361 | RESTRICTED TO - | | | | | | | | | | | | | | | | | | |
| CUSTOMER DRAWING | | | SCALE 4:1 | SHEET 1 OF 1 | | | | | | | | | | | | | | | | | | |

1484361

A