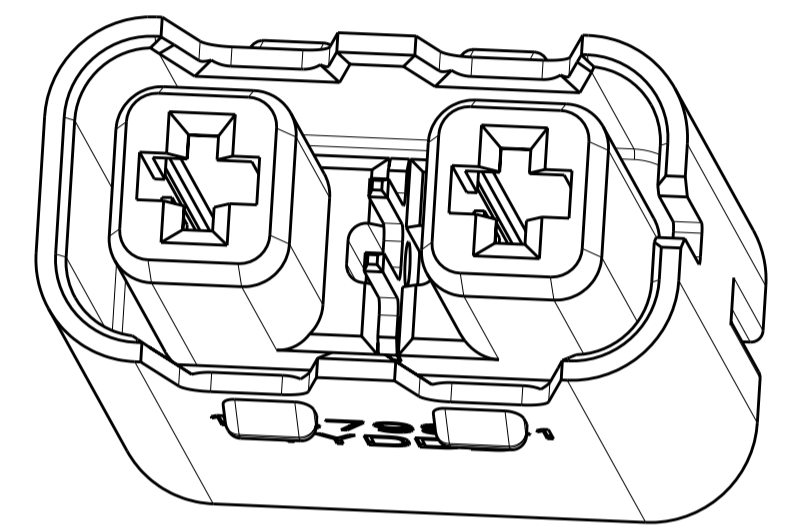
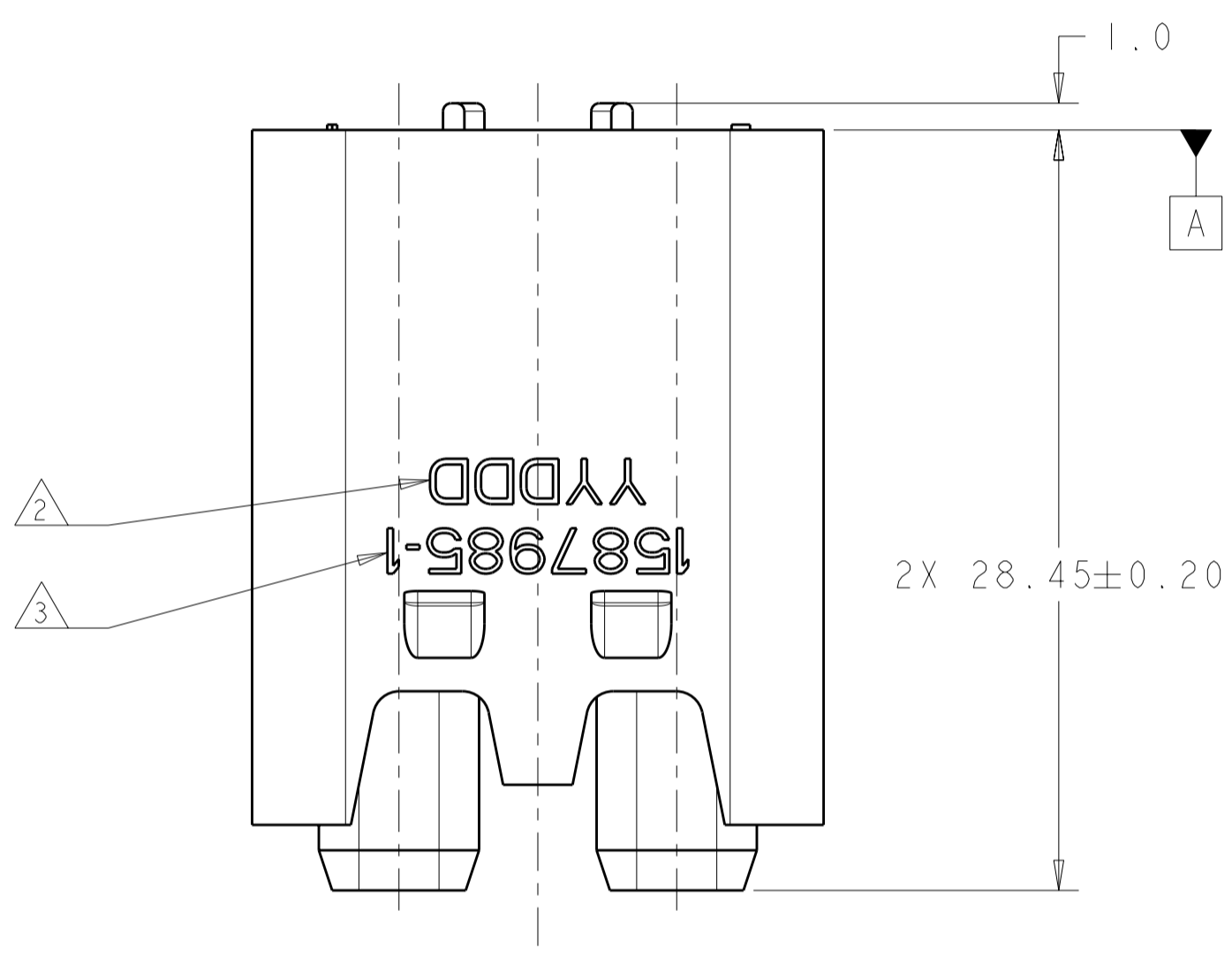
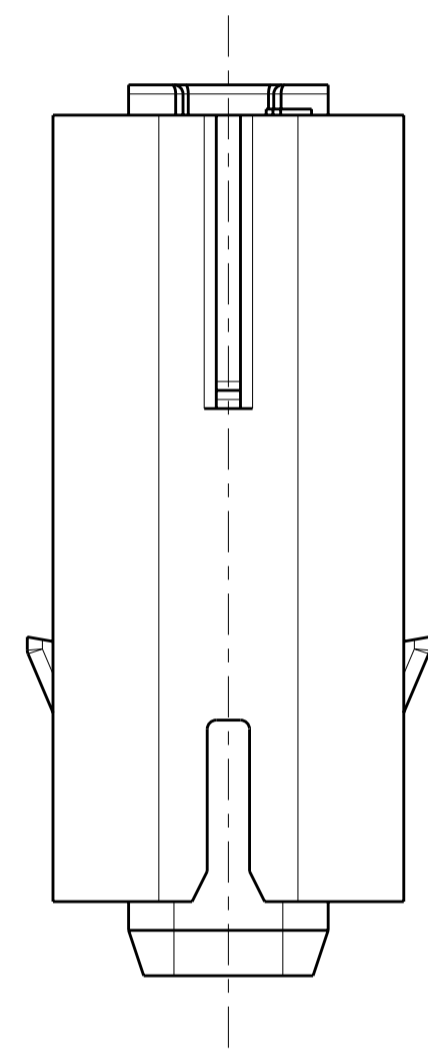
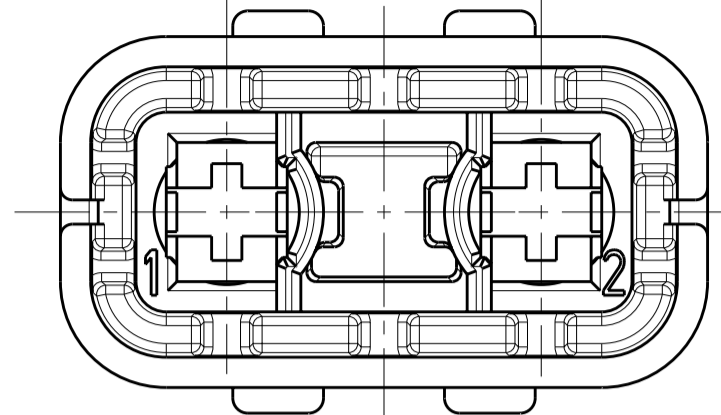


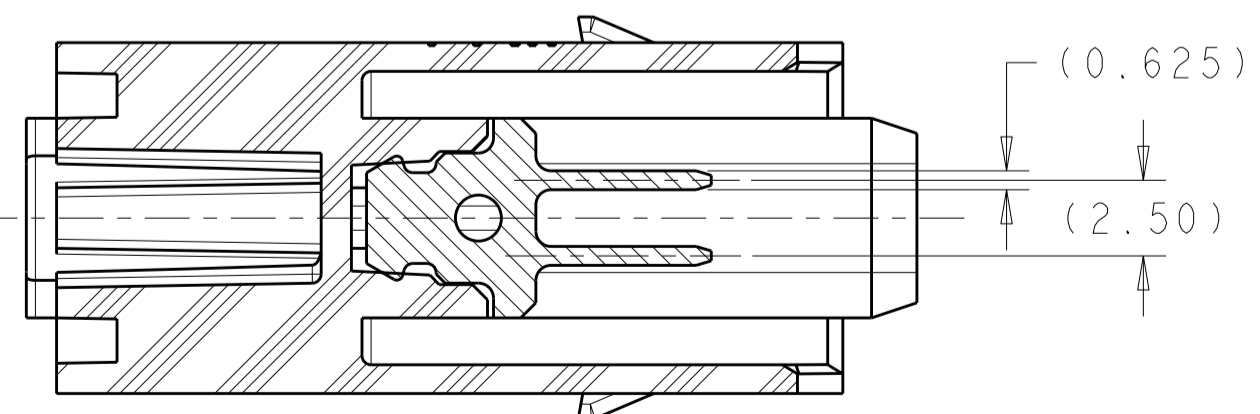
THIS DRAWING IS UNPUBLISHED. RELEASED FOR PUBLICATION 20
 © COPYRIGHT 20 BY TYCO ELECTRONICS CORPORATION ALL RIGHTS RESERVED.

LOC	DIST	REVISIONS			
P	LTR	DESCRIPTION	DATE	DWN	APVD
A		ECO-12-005270	16MAR2012	DR	DR

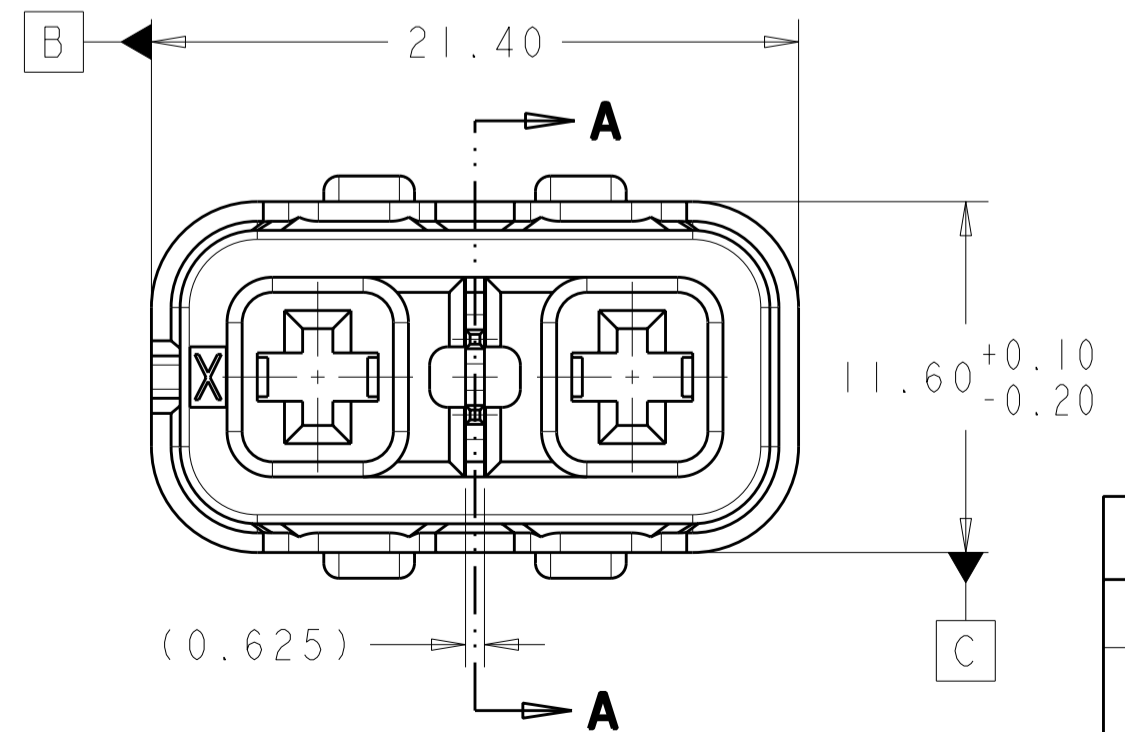
(5.20) (5.20)



- ⚠ SHUNT MUST BE INSTALLED AS SHOWN
- ⚠ JULIAN DATE CODE IN THIS LOCATION AT ASSEMBLY
- ⚠ TE PART NUMBER IN THIS LOCATION AT ASSEMBLY



SECTION **A-A**



1587985-1
PART NUMBER

THIS DRAWING IS A CONTROLLED DOCUMENT.		DWN D. RHEIN 30MAR2011	TE Connectivity	
DIMENSIONS: mm		CHK D. RHEIN 30MAR2011		
TOLERANCES UNLESS OTHERWISE SPECIFIED:		APVD J. BOLEWITZ 30MAR2011	NAME SUBASSY, INNER HOUSING HVA280-2PHM	
0 PLC ±		PRODUCT SPEC	SIZE CAGE CODE DRAWING NO	
1 PLC ±0.2		APPLICATION SPEC	A200779C-1587985	
2 PLC ±0.10		WEIGHT	RESTRICTED TO	
3 PLC ±		CUSTOMER DRAWING	SCALE 4:1 SHEET 1 OF 1 REV A	
4 PLC ±				
ANGLES ±°				
FINISH				