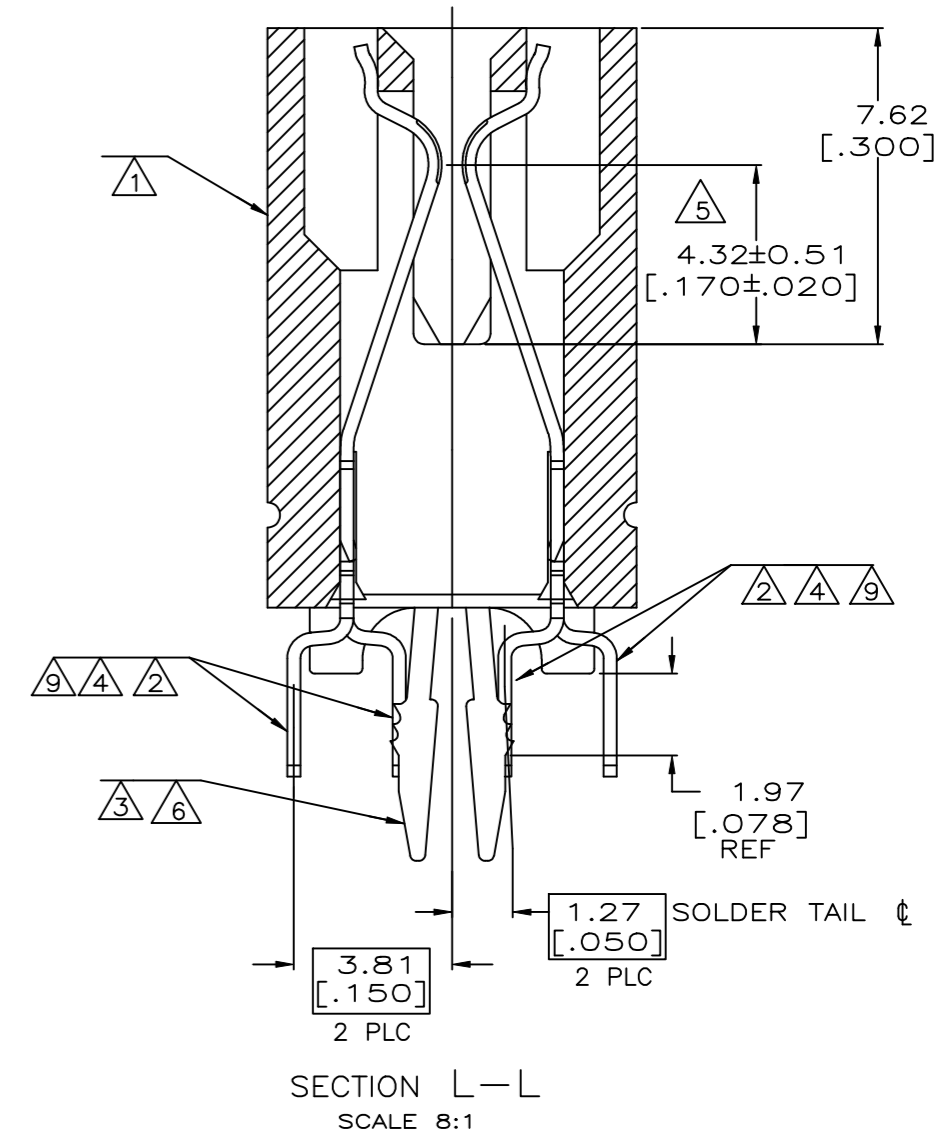
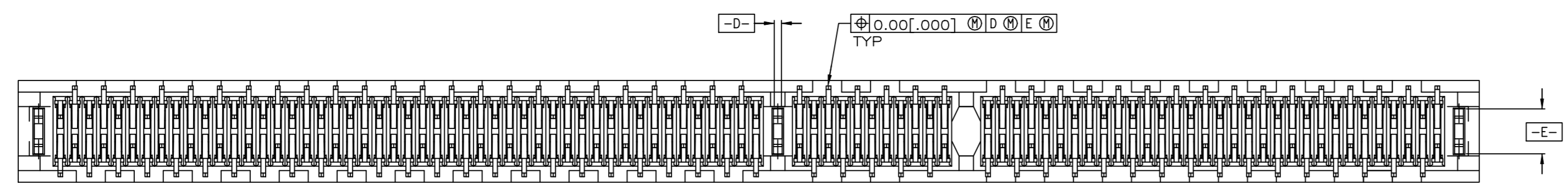
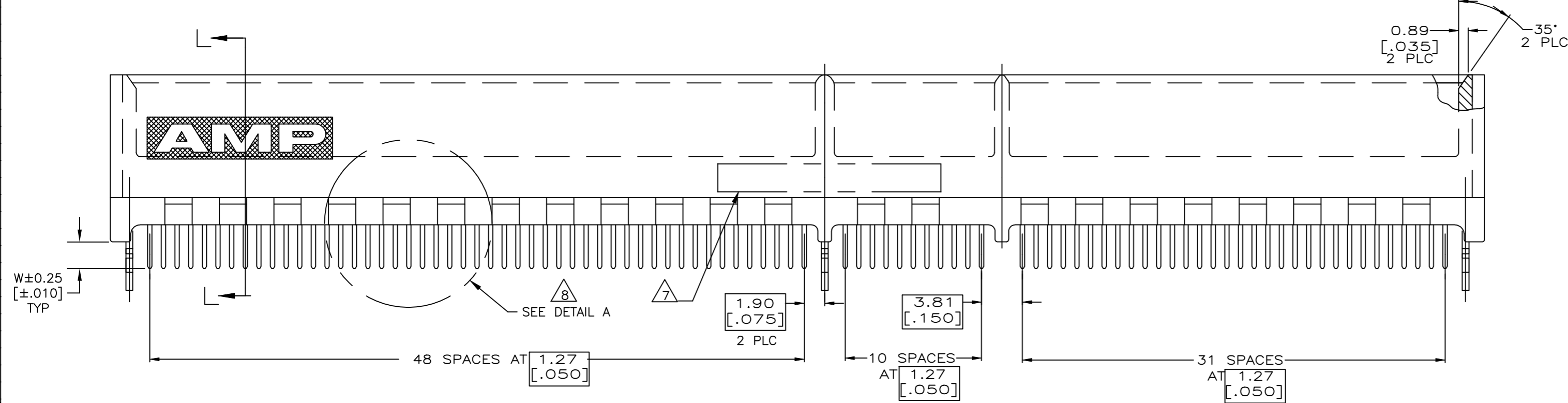
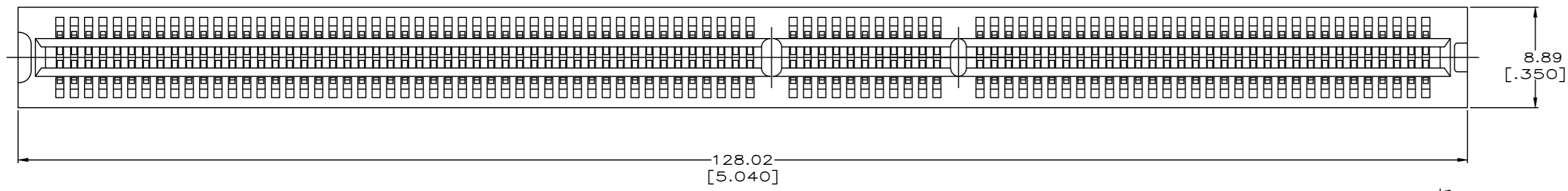


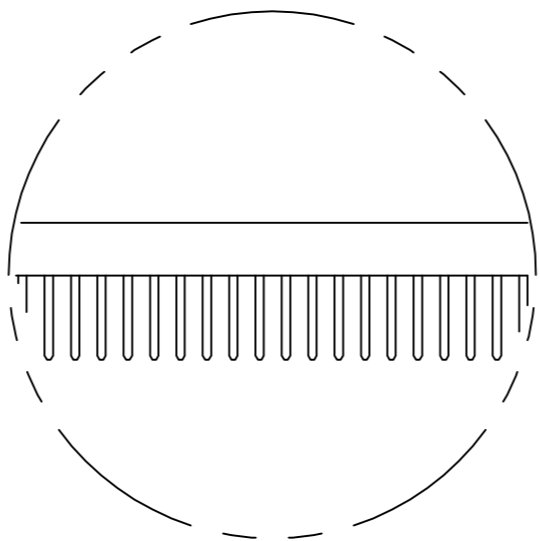
THIS DRAWING IS UNPUBLISHED. RELEASED FOR PUBLICATION
 BY TYCO ELECTRONICS CORPORATION. ALL RIGHTS RESERVED.

LOC	DIST	REVISIONS					
GP	00	P	LTR	DESCRIPTION	DATE	DWN	APVD
		D		ECO-18-017215	03DEC2018	FL	HL



SEE SHEET 2 FOR HOLE PATTERN

- ① HOUSING: HIGH TEMPERATURE THERMOPLASTIC. COLOR - NATURAL
- ② CONTACT: PHOSPHOR BRONZE.
- ③ METAL HOLD DOWN: BRASS
- ④ CONTACT FINISH: .001269[.000050] MIN NICKEL ALL OVER. .000757[.000030] GOLD OVER NICKEL IN CONTACT AREA. .002537[.000100] MIN TIN OVER NICKEL ON SOLDER TAILS.
- ⑤ DISTANCE FROM CONTACT POINT TO BOTTOM OF CARD SLOT.
- ⑥ METAL HOLD DOWN FINISH: .001269[.000050] MIN NICKEL ALL OVER, .003809[.000150] MIN TIN ALL OVER.
- ⑦ AMP PART NUMBER, DATE CODE AND CSA LOGO MARKED IN APPROXIMATE LOCATION SHOWN.
- ⑧ CORED OR SOLID SIDE WALLS ARE AT DISCRETION OF AMP INCORPORATED.
- ⑨ CONTACT FINISH: .001269[.000050] MIN NICKEL ALL OVER. .000757[.000030] GOLD OVER NICKEL IN CONTACT AREA. .0000254[.000001] MIN GOLD FLASH OVER NICKEL ON SOLDER TAILS.



DETAIL A

⑨	3.18 [.125]	1658305-2
④	3.18 [.125]	1658305-1
CONTACT FINISH		NUMBER
W		

THIS DRAWING IS A CONTROLLED DOCUMENT.

DIMENSIONS: INCHES	TOLERANCES UNLESS OTHERWISE SPECIFIED:	DWN: D. FAROLE 02/03/03	CRK: S. BURKHOLDER 02/04/03	APVD: -	NAME: -	TYCO ELECTRONICS	Tyco Electronics Corporation Middletown, PA 17057
0 PLC ± -	1 PLC ± .01	PRODUCT SPEC: 108-14034	APPLICATION SPEC: 114-26012	SIZE: A1	CAGE CODE: 00779	DRAWING NO: C=1658305	RESTRICTED TO: -
MATERIAL: ① ② ③ ④ ⑤ ⑥	ANGLES THRU - 6	WEIGHT: -	CUSTOMER DRAWING	SCALE: 4:1	SHEET: 1 OF 2	REV: D	

