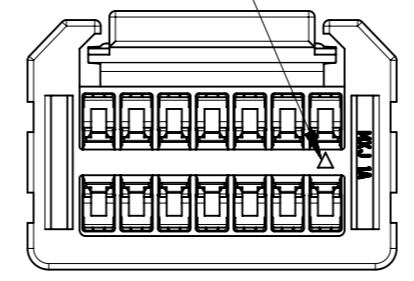


回路番号 1 マーク (8-14極用)
CIRCUIT 1 MARK
(FOR 8-14 CIRCUIT)

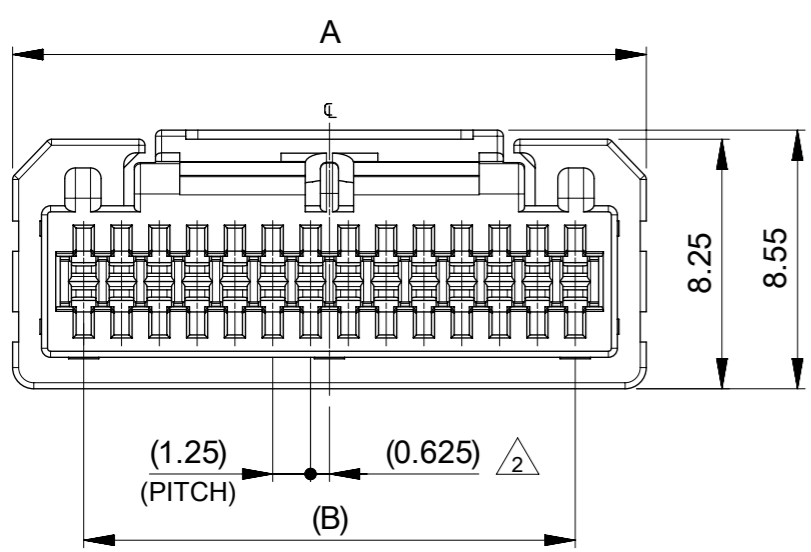


- 注記:
NOTES:
- ① 材質 : TABLE 1参照
MATERIAL : SEE TABLE 1
 - ② 極数 / 2 = 偶数に適合
APPLY TO CIRCUIT SIZE / 2 = EVEN
 - ③ 製品仕様書、コネクタ取扱説明書、適合嵌合相手、適合端子は SHEET 3をご参照ください。
PLEASE REFER TO SHEET 3 FOR PRODUCT SPECIFICATION, APPLICATION SPECIFICATION, MATE WITH AND APPLICABLE TERMINAL.
 - ④ 発注番号 : ORDER NUMBER

204523**0*

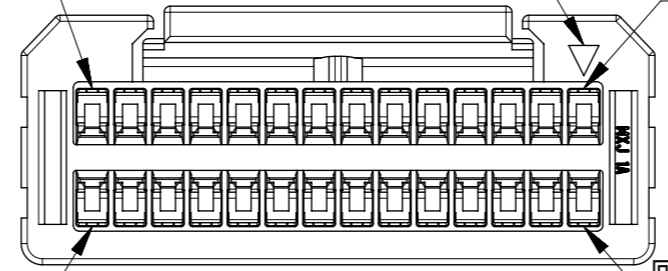
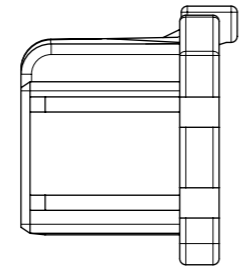
極数
CIRCUIT SIZE

番号 NO.	ハウジング色 HOUSING COLOR
0	ナチュラル(白) NATURAL (WHITE)
1	黒 BLACK



回路番号 N-1
CIRCUIT N-1

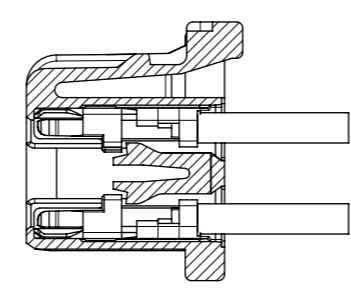
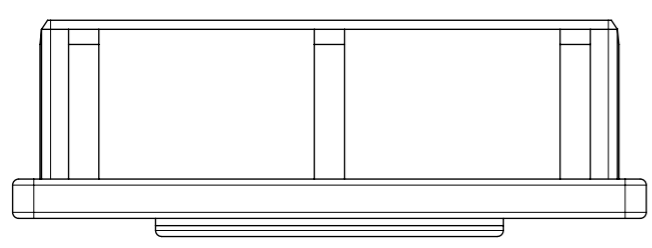
回路番号 1 マーク (16-42極用)
CIRCUIT 1 MARK
(FOR 16-42 CIRCUIT)



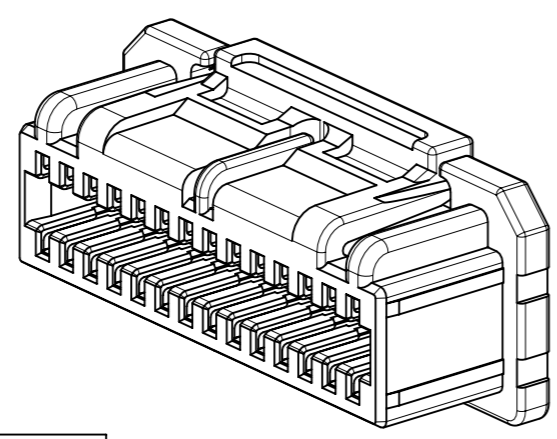
回路番号 1
CIRCUIT 1

回路番号 N
CIRCUIT N

回路番号 2
CIRCUIT 2



ターミナル装着図
TERMINAL ASSEMBLY DRAWING



25	29.7	42
23.75	28.45	40
22.5	27.2	38
21.25	25.95	36
20	24.7	34
18.75	23.45	32
17.5	22.2	30
16.25	20.95	28
15	19.7	26
13.75	18.45	24
12.5	17.2	22
11.25	15.95	20
10	14.7	18
8.75	13.45	16
7.5	12.2	14
6.25	10.95	12
5	9.7	10
3.75	8.45	8
B	A	極数 CIRCUIT SIZE

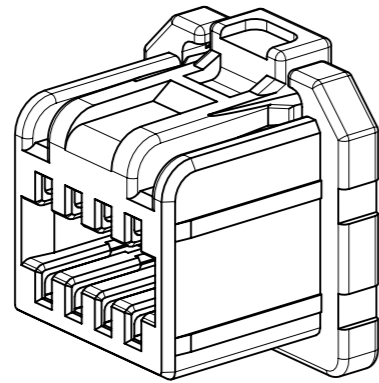
① TABLE 1

部品 PART	材質 MATERIAL
ハウジング HOUSING	ポリエステル(PBT), UL94V-0, 色 : SHEET 3参照 POLYESTER(PBT), UL94V-0, COLOR : SEE SHEET 3
DOCUMENT STATUS	P1
RELEASE DATE	2022/11/30 03:03:22

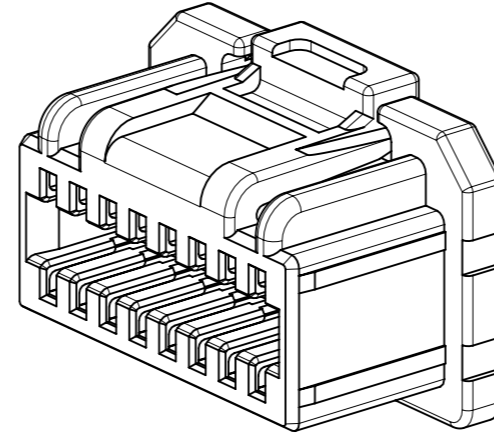
THIS DRAWING CONTAINS INFORMATION THAT IS PROPRIETARY TO MOLEX ELECTRONIC TECHNOLOGIES, LLC AND SHOULD NOT BE USED WITHOUT WRITTEN PERMISSION

DIMENSION UNITS	SCALE	CURRENT REV DESC: REVISED	molex		
mm	NTS				
GENERAL TOLERANCES (UNLESS SPECIFIED)			MICRO-LOCK PLUS 1.25 W/B DUAL ROW RECEPTACLE HOUSING LOW HALOGEN		
ANGULAR TOL ± 3.0 °					
4 PLACES	± 0.2	EC NO: 720259	PRODUCT CUSTOMER DRAWING		
3 PLACES	± 0.2	DRWN: RTANAKA02 2021/01/27			
2 PLACES	± 0.2	CHK'D: SAKIYAMA 2022/11/28	DOCUMENT NUMBER		
1 PLACE	± 0.2	APPR: AIDA 2022/11/30			
0 PLACES	± 0.2	INITIAL REVISION:	2045230002-SD		
DRAFT WHERE APPLICABLE MUST REMAIN WITHIN DIMENSIONS					
THIRD ANGLE PROJECTION			DOC TYPE	DOC PART	REVISION
DRAWING			PSD	000	C
SERIES			SHEET NUMBER		
A3-SIZE			1 OF 3		
MATERIAL NUMBER			CUSTOMER		
204523			GENERAL		
SEE SHEET 3					

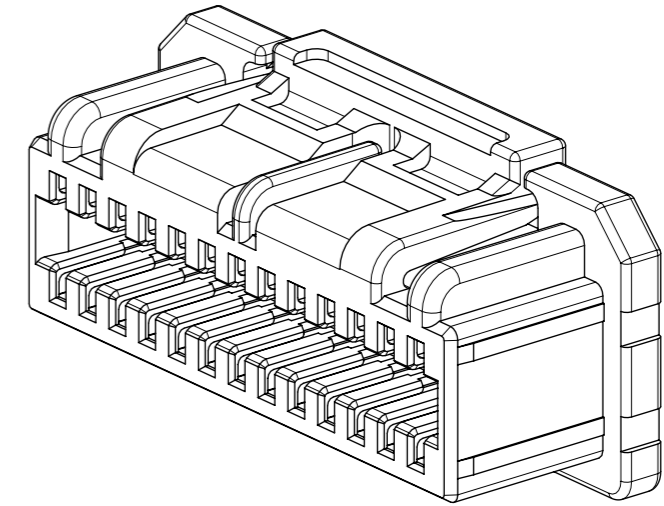
製品形状
PRODUCT SHAPE



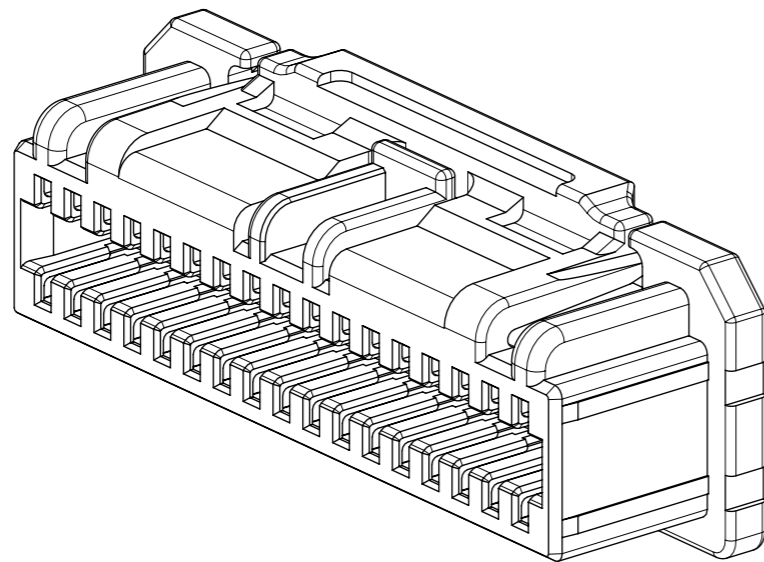
8-14極
8-14 CIRCUIT



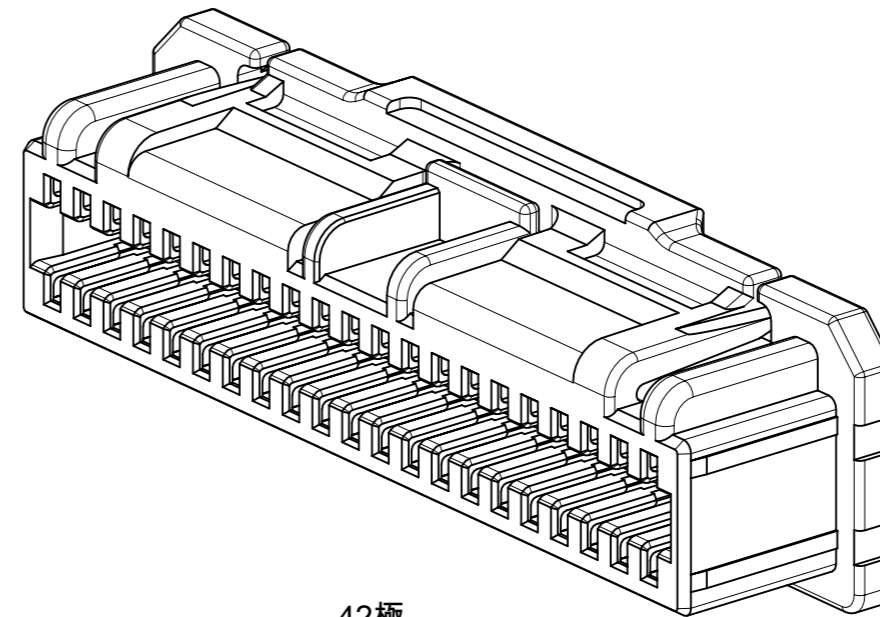
16-24極
16-24 CIRCUIT




26-32極
26-32 CIRCUIT



34-40極
34-40 CIRCUIT



42極
42 CIRCUIT

THIS DRAWING CONTAINS INFORMATION THAT IS PROPRIETARY TO MOLEX ELECTRONIC TECHNOLOGIES, LLC AND SHOULD NOT BE USED WITHOUT WRITTEN PERMISSION									
DIMENSION UNITS		SCALE		CURRENT REV DESC: REVISED					
mm		NTS		 MICRO-LOCK PLUS 1.25 W/B DUAL ROW RECEPTACLE HOUSING LOW HALOGEN					
GENERAL TOLERANCES (UNLESS SPECIFIED)									
ANGULAR TOL ± 3.0 °				PRODUCT CUSTOMER DRAWING					
4 PLACES ± 0.2		DRWN: RTANAKA02		2021/01/27		DOCUMENT NUMBER			
3 PLACES ± 0.2		CHK'D: SAKIYAMA		2022/11/28		2045230002-SD		DOC TYPE DOC PART REVISION	
2 PLACES ± 0.2		APPR: AIDA		2022/11/30		PSD 000		C	
1 PLACE ± 0.2		INITIAL REVISION:		2017/10/13		MATERIAL NUMBER CUSTOMER SHEET NUMBER			
0 PLACES ± 0.2		DRWN: RWATANABE01		2017/10/27		SEE SHEET 3		GENERAL 2 OF 3	
DRAFT WHERE APPLICABLE MUST REMAIN WITHIN DIMENSIONS		THIRD ANGLE PROJECTION		DRAWING		SERIES		A3-SIZE 204523	

△ 3 適合製品及び各種仕様書 APPLICABLE PRODUCTS AND VARIOUS SPECIFICATIONS


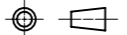
梱包仕様書 PACKAGING SPECIFICATION	PART NUMBER	SPECIFICATION NUMBER
	204523**0*	2045239200SPK PS 200

適合端子 APPLICABLE TERMINAL	PART NUMBER	PLATING TYPE	WIRE SIZE(AWG) #26-30
	5054311000	TIN	
	5054311*00 1, 2, 3▲	GOLD	

適合嵌合相手 MATE WITH	TIN PLATING			GOLD PLATING	
	RIGHT ANGLE	VERTICAL	VERTICAL FOR POTTING	RIGHT ANGLE	VERTICAL
シリーズ番号 SERIES NO.	204519**7*	204520**** 7, 8▲	207760**** 7, 8▲ (8-14 CIRCUIT)	204519**** 3, 5, 9▲	204520**** 2, 3, 4, 5, 6, 9▲
製品仕様書 PRODUCT SPECIFICATION	2045230000-PS PS 000		2045230001-PS PS 000	2045230002-PS PS 000	
コネクタ取扱説明書 APPLICATION SPECIFICATION	5054320000-AS PS 000				

△ 4 204523**0* 発注番号一覧 ORDER NUMBER LIST

BLACK	NATURAL (WHITE)	HOUSING COLOR
2045234201	2045234200	42
2045234001	2045234000	40
2045233801	2045233800	38
2045233601	2045233600	36
2045233401	2045233400	34
2045233201	2045233200	32
2045233001	2045233000	30
2045232801	2045232800	28
2045232601	2045232600	26
2045232401	2045232400	24
2045232201	2045232200	22
2045232001	2045232000	20
2045231801	2045231800	18
2045231601	2045231600	16
2045231401	2045231400	14
2045231201	2045231200	12
2045231001	2045231000	10
2045230801	2045230800	8
発注番号 ORDER NUMBER		極数 CIRCUIT SIZE
梱包形態 : ポリ袋 PACKAGING : POLYBAG PACKAGE		

THIS DRAWING CONTAINS INFORMATION THAT IS PROPRIETARY TO MOLEX ELECTRONIC TECHNOLOGIES, LLC AND SHOULD NOT BE USED WITHOUT WRITTEN PERMISSION									
DIMENSION UNITS	SCALE	CURRENT REV DESC: REVISED			 MICRO-LOCK PLUS 1.25 W/B DUAL ROW RECEPTACLE HOUSING LOW HALOGEN				
mm	NTS								
GENERAL TOLERANCES (UNLESS SPECIFIED)		EC NO: 720259			PRODUCT CUSTOMER DRAWING				
ANGULAR TOL ± 3.0°		DRWN: RTANAKA02 2021/01/27							
4 PLACES ± 0.2	CHK'D: SAKIYAMA 2022/11/28			DOCUMENT NUMBER: 2045230002-SD DOC TYPE: PSD DOC PART: 000 REVISION: C					
3 PLACES ± 0.2	APPR: AIDA 2022/11/30								
2 PLACES ± 0.2	INITIAL REVISION:			MATERIAL NUMBER: 204523 CUSTOMER: GENERAL SHEET NUMBER: 3 OF 3					
1 PLACE ± 0.2	DRWN: RWATANABE01 2017/10/13								
0 PLACES ± 0.2	APPR: TKANEKO 2017/10/27			THIRD ANGLE PROJECTION  DRAWING: A3-SIZE SERIES: 204523 SEE SHEET 3					
DRAFT WHERE APPLICABLE MUST REMAIN WITHIN DIMENSIONS									