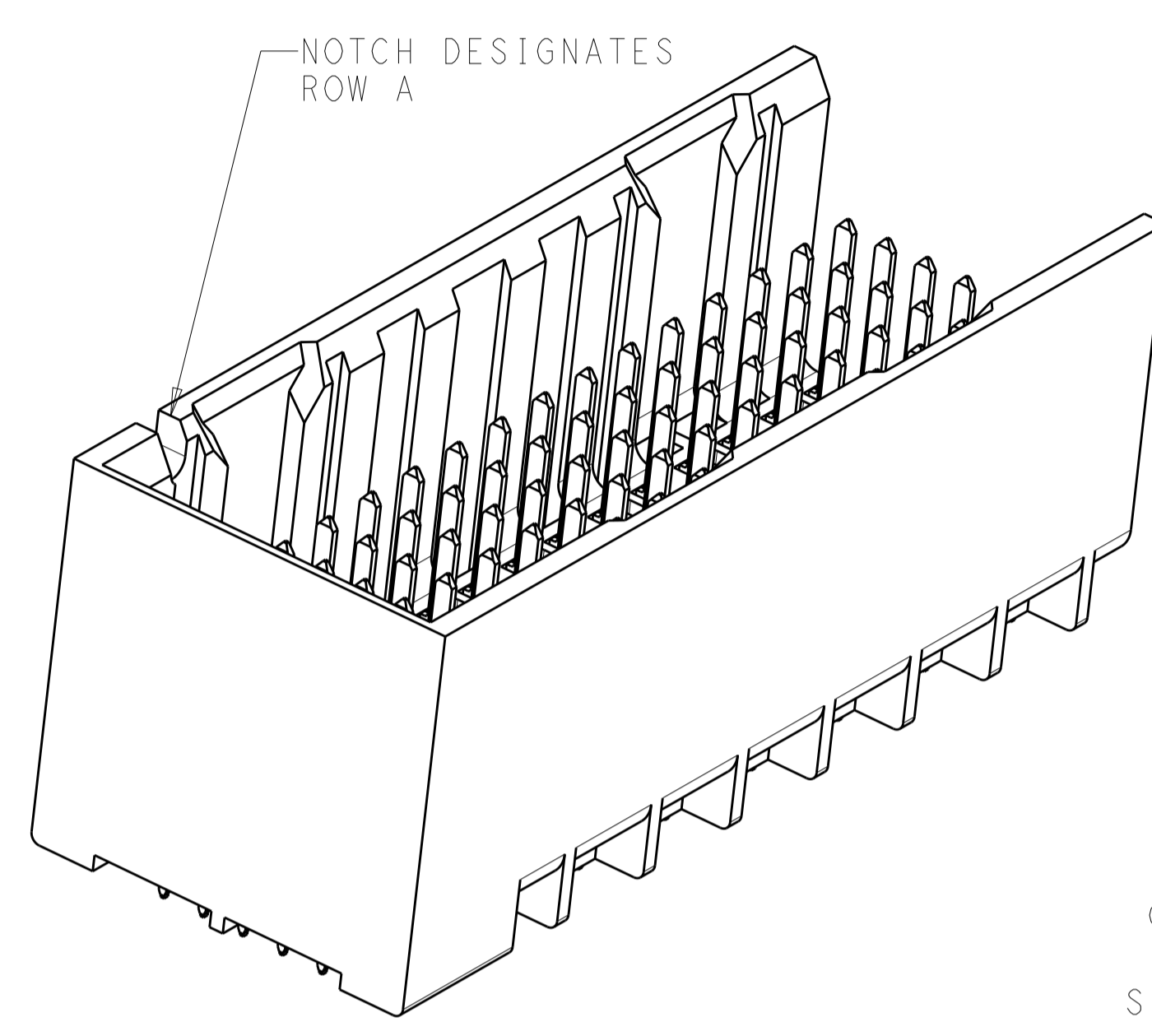
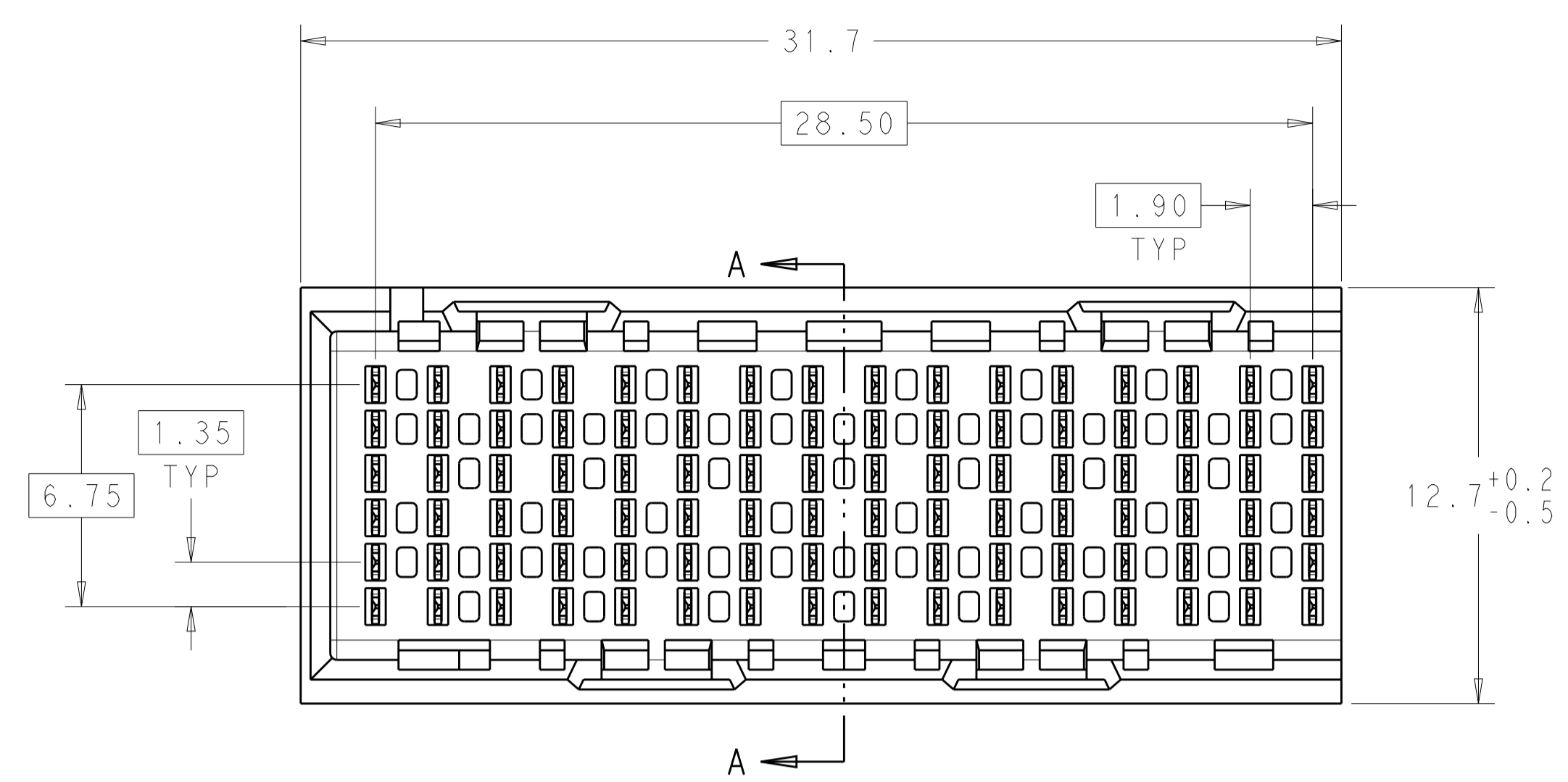
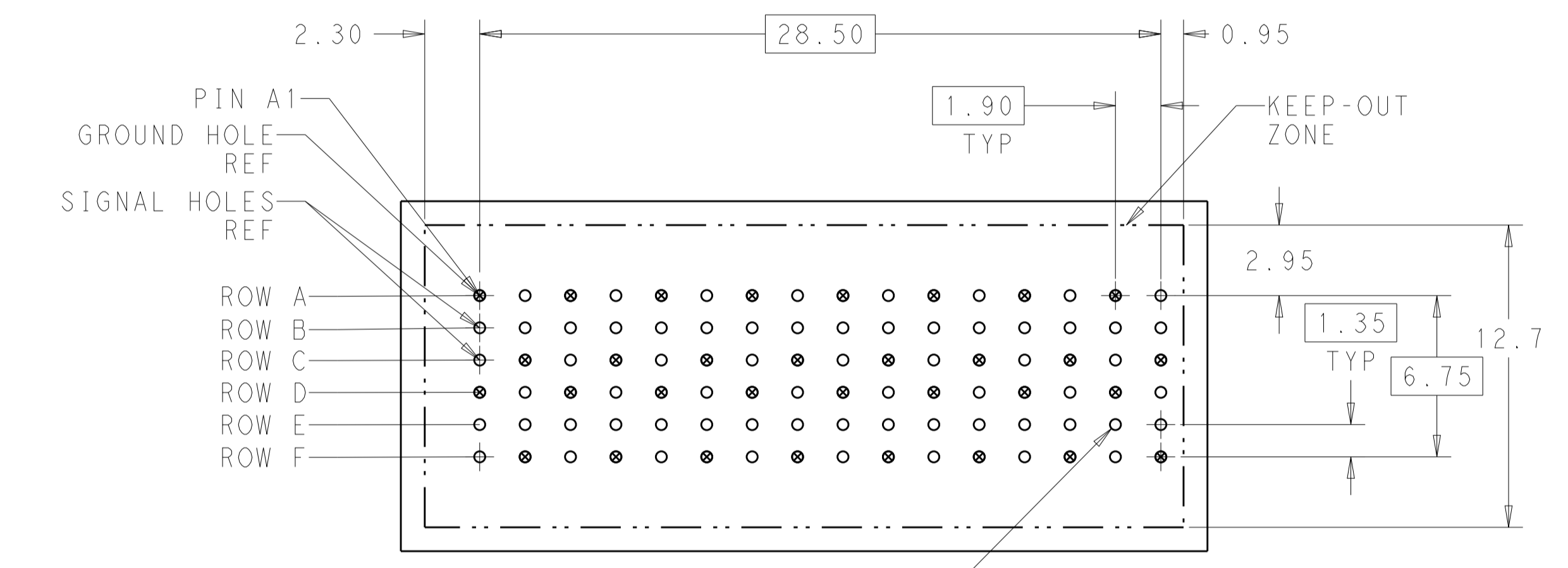


LOC		DIST		REVISIONS			
P	LTN	DESCRIPTION	DATE	DWN	APVD		
B1		REVISED PER ECO-15-001498	02FEB2015	AP	DD		



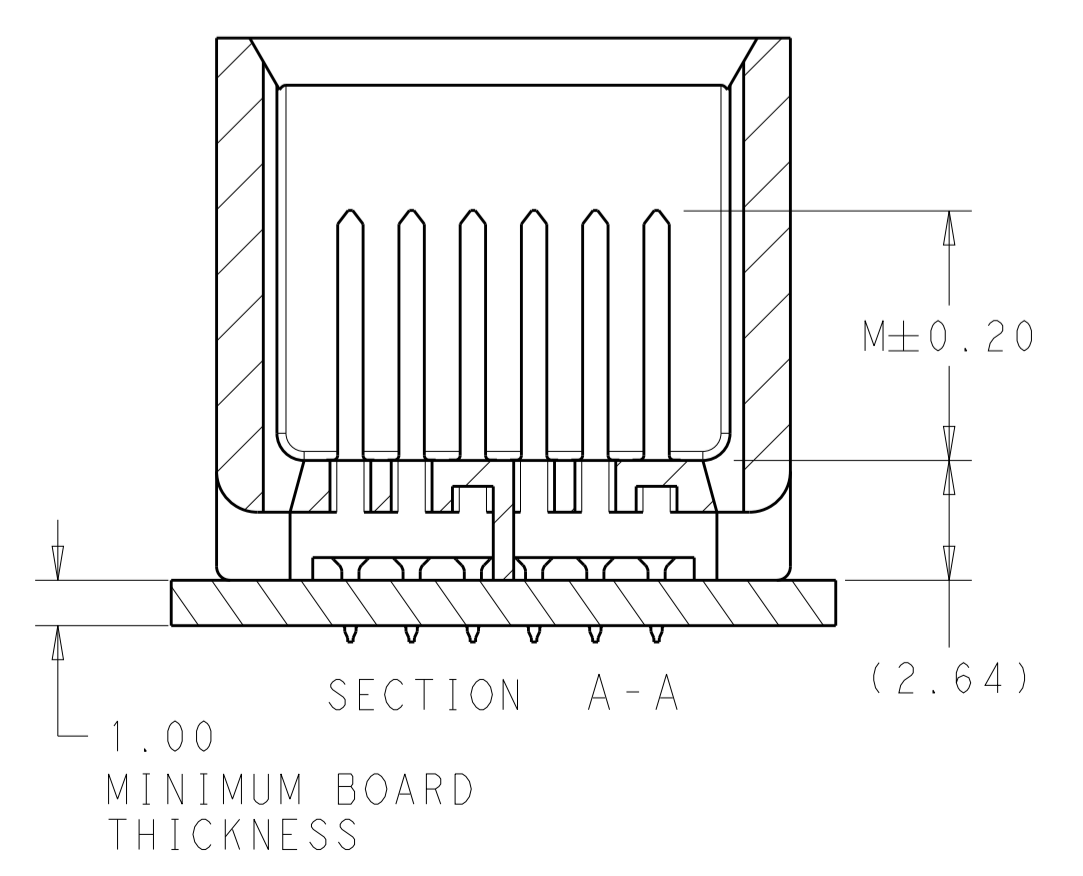
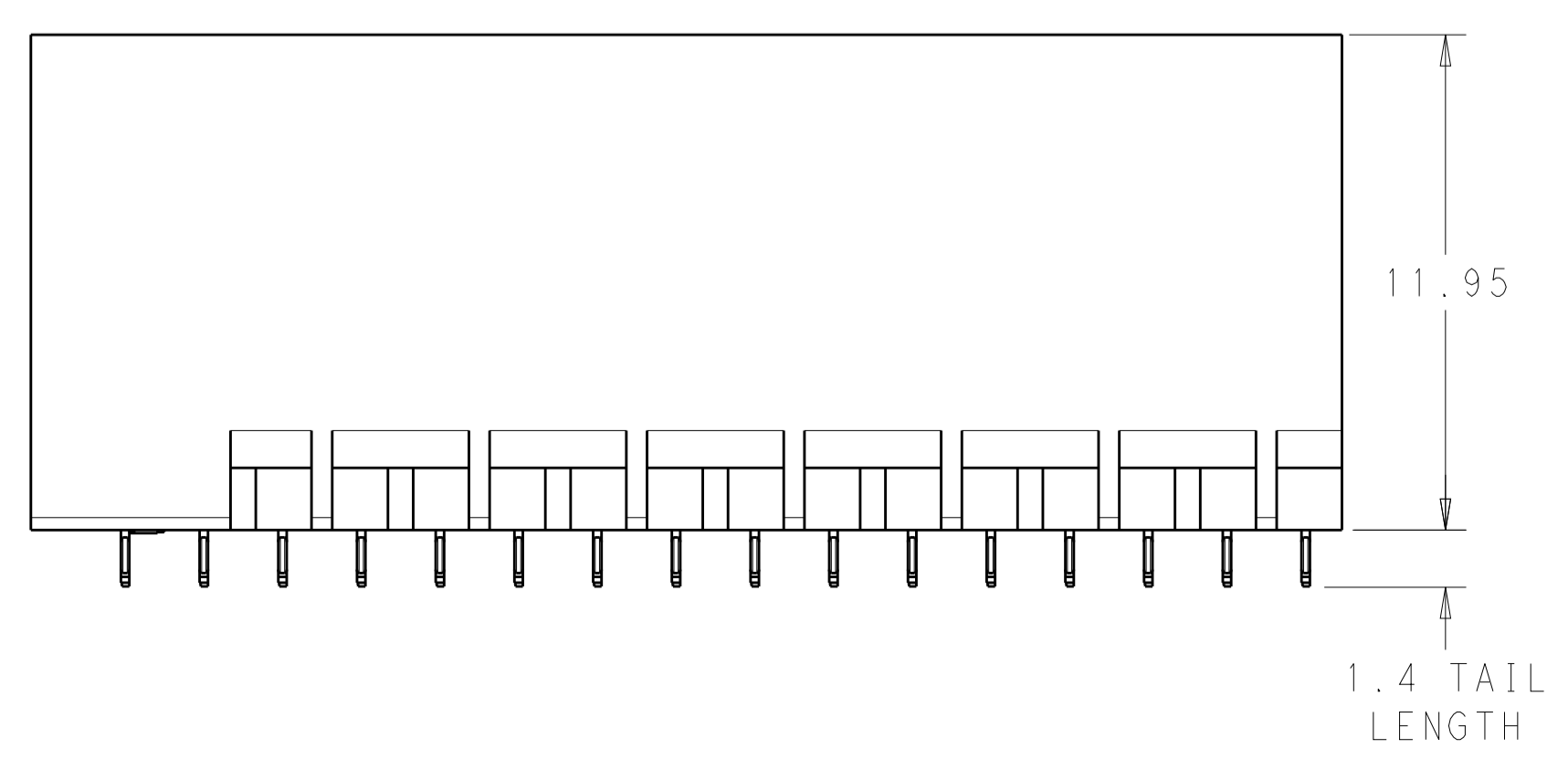
⚠ MATERIAL:  
HOUSING: LCP, GLASS FILLED, UL94V-0.  
TERMINALS: HIGH PERFORMANCE COPPER ALLOY.

⚠ FINISH:  
30μ" MIN GOLD IN CONTACT AREA. SELECTIVE TIN ON PCB TAILS, NICKEL OVERALL.



96X  $\varnothing 0.46 \pm 0.05$  PLATED THRU HOLE  
 96X  $\varnothing 0.55 \pm 0.013$  DRILL HOLE  
 $\varnothing 0.10$

UNGUIDED BACKPLANE HOLE PATTERN (CONNECTOR SIDE)



THIS DRAWING IS A CONTROLLED DOCUMENT.		DWN: R. COELLO 27APR2011	TE Connectivity
DIMENSIONS: mm		CHK: J. EARY 27APR2011	
TOLERANCES UNLESS OTHERWISE SPECIFIED:		APVD: J. EARY 27APR2011	NAME: IMPACT, 2 PAIR, 16 COLUMN, HEADER
0 PLC	±	PRODUCT SPEC	UNGUIDED, LEFT END WALL
1 PLC	±0.25	APPLICATION SPEC	SIGNAL MODULE, 0.46 PTH
2 PLC	±0.13		SIZE: A1
3 PLC	±		CAGE CODE: 2057745
4 PLC	±		DRAWING NO: 2057745
ANGLES	±	WEIGHT: -	RESTRICTED TO: -
FINISH	SEE TABLE	Customer Drawing	SCALE: 6:1 SHEET 1 OF 2 REV: B1

THIS DRAWING IS UNPUBLISHED. RELEASED FOR PUBLICATION 20  
 © COPYRIGHT 20 BY - ALL RIGHTS RESERVED.

LOC		DIST		REVISIONS			
AD	00	P	LTN	DESCRIPTION	DATE	DWN	APVD
-	-	-	-	SEE SHEET 1	-	-	-

	5.5	2057745-3
	4.9	2057745-2
	4.5	2057745-1
FINISH	DIM M	PART NUMBER

REFER TO WWW.TE.COM  
FOR PRODUCT AVAILABILITY

THIS DRAWING IS A CONTROLLED DOCUMENT.		DWN	27APR2011		TE Connectivity	
DIMENSIONS:		CHK	J. EARY 27APR2011		NAME	
mm		APVD	J. EARY 27APR2011	IMPACT, 2 PAIR, 16 COLUMN, HEADER		
TOLERANCES UNLESS OTHERWISE SPECIFIED:		PRODUCT SPEC		UNGUIDED, LEFT END WALL		
0 PLC	±	APPLICATION SPEC		SIGNAL MODULE, 0.46 PTH		
1 PLC	±0.25	WEIGHT		SIZE		
2 PLC	±0.13	Customer Drawing		CAGE CODE		
3 PLC	±	SCALE		DRAWING NO		
4 PLC	±	5:1		A100779		
ANGLES	±	SHEET		C=2057745		
FINISH	SEE TABLE	2 OF 2		REV		
MATERIAL		REV B1		RESTRICTED TO		