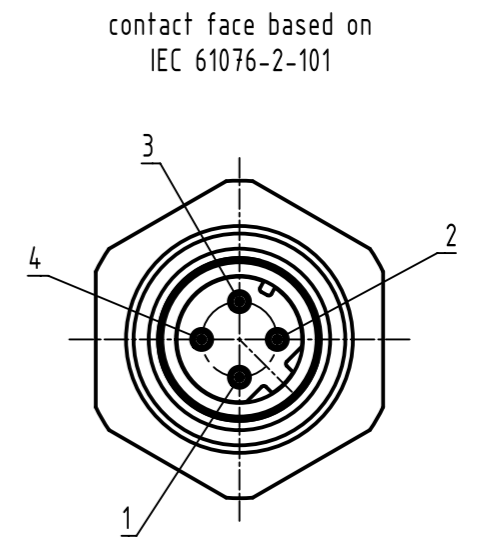
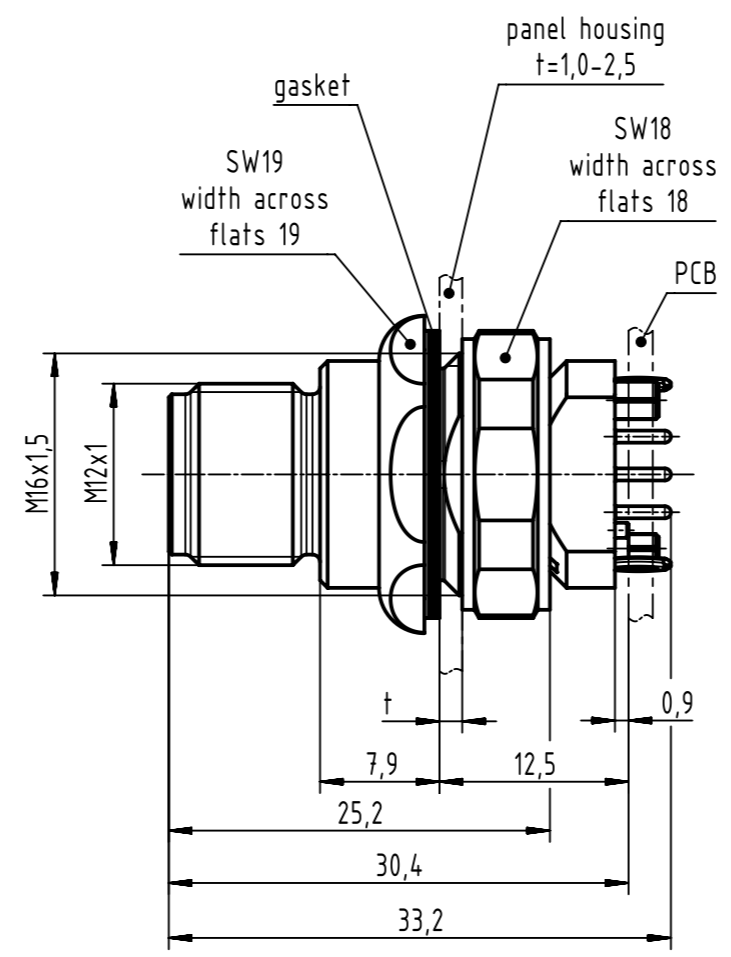
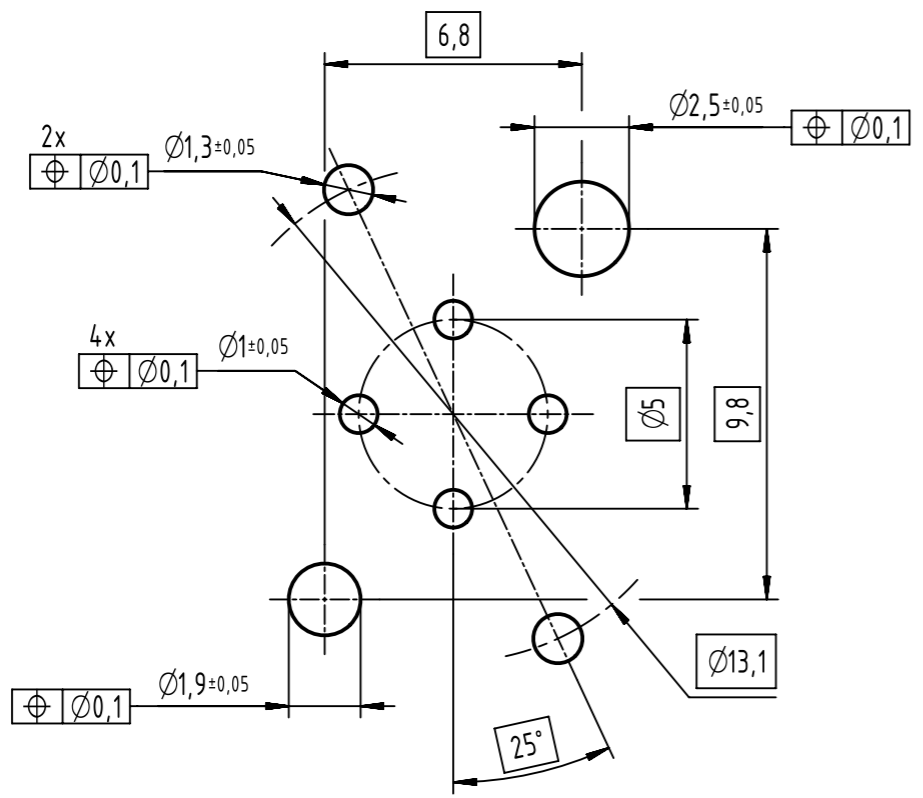


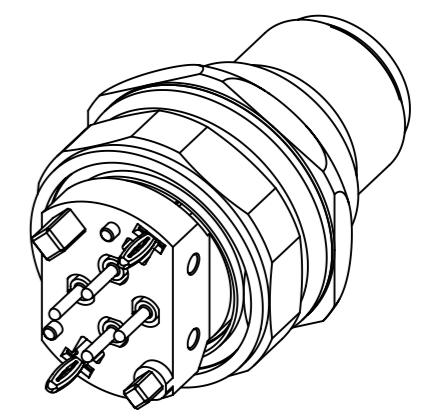
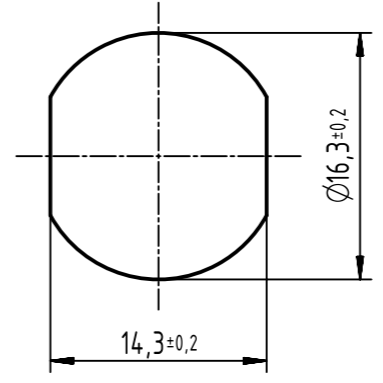
X



X (5:1)
recommended PCB-layout



panel cut out



- 1 pcs. single package

	All rights reserved Department EC PD - DE HARTING Electronics GmbH D-32339 Espelkamp	All Dimensions in mm Original Size DIN A3		Scale 2:1	Free size tol.	Ref. Sub.	
		Created by STORCK	Inspected by WELLMANN	Standardisation KOHLER	Date 2015-08-04	State Final Release	Doc-Key / ECM-Nr. 100570011/UGD/000/C 50000092599
		Title HARTING M12 PCB receptacle male D-coded 4-pole front				Rev. C	Page 1/1
		Type TB	Number 21033811431				