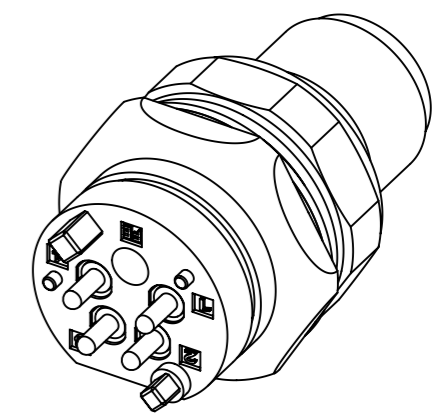
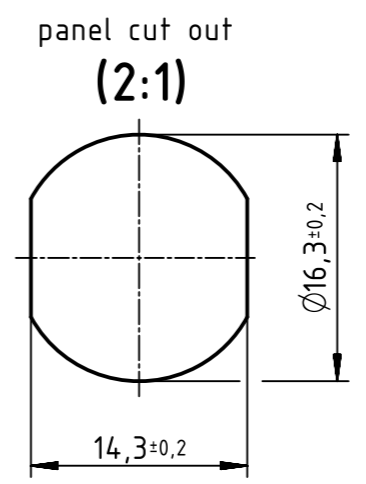
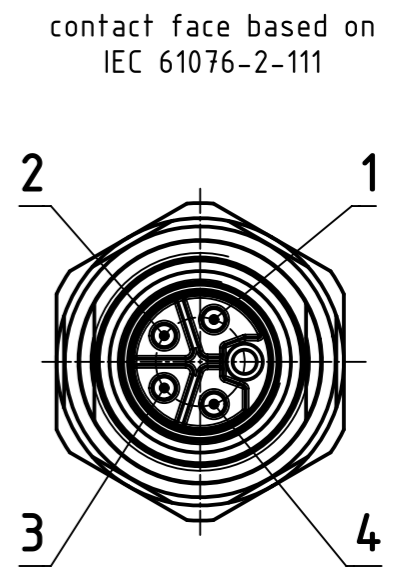
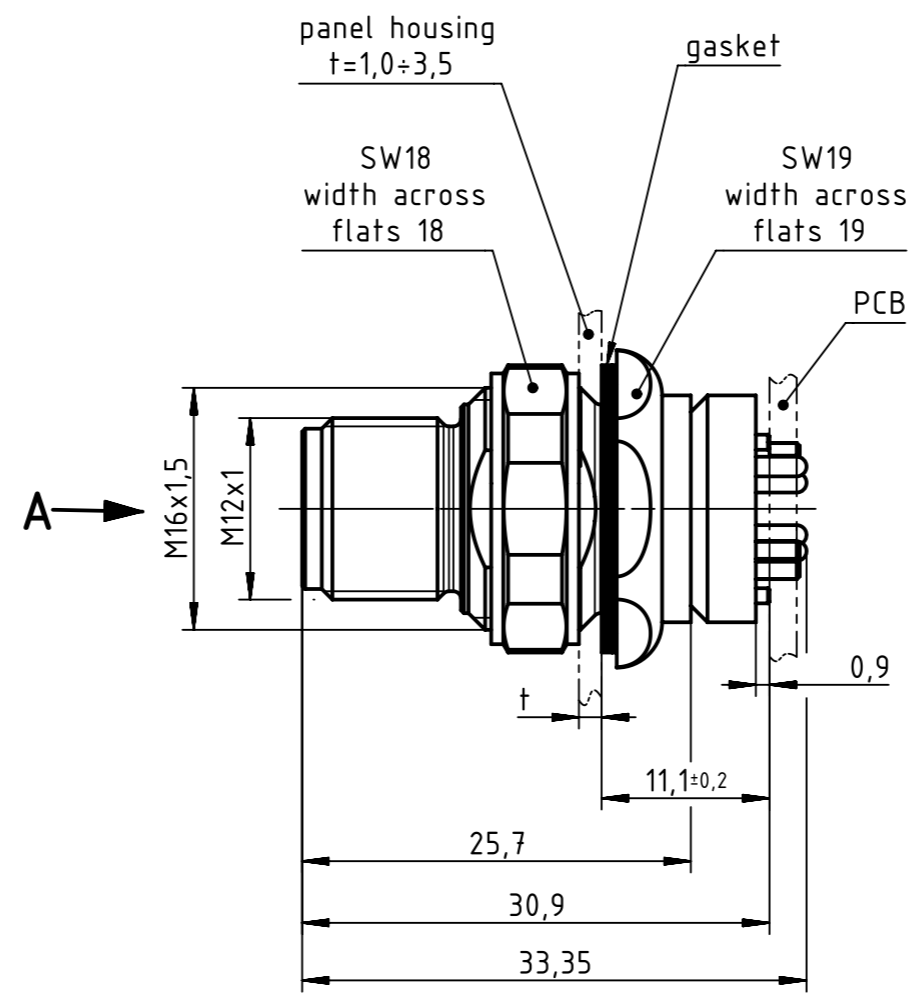
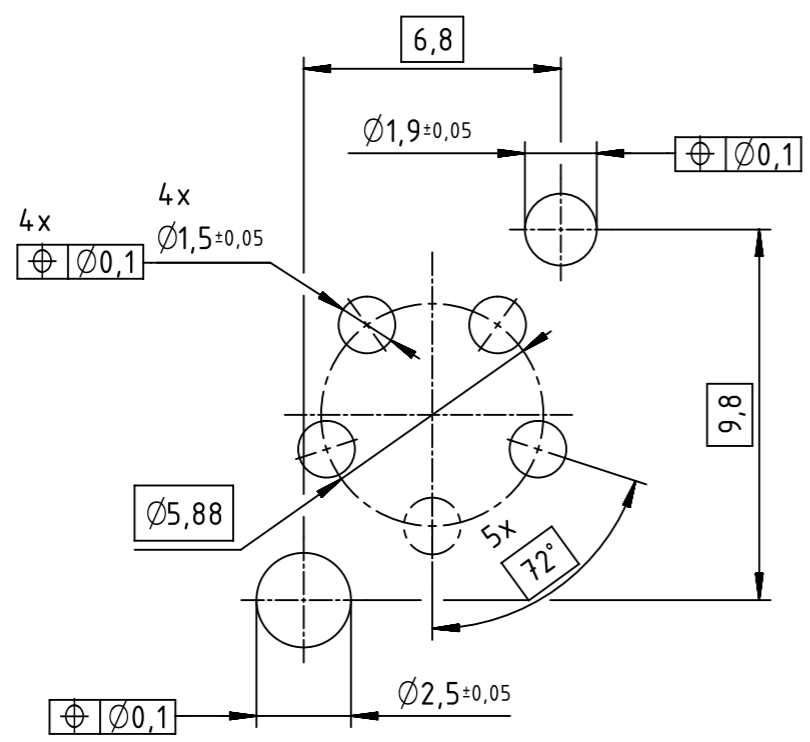


**A (5:1)**  
recommended PCB layout



	All rights reserved		Created by SERBANA		Inspected by DRAGHICI	Standardisation HOFFMANN	Date 2018-10-24	State Final Release
	Department EL PD		Title M12 Power PCB receptacle male L-coded w/o FE rear		Doc-Key / ECM-Nr. 100747744/UGD/000/E 500000141541		Rev. E	Page 1/1
HARTING Electronics GmbH D-32339 Espelkamp		Type TB	Number 21033961533					