

THIS DRAWING IS UNPUBLISHED.

RELEASED FOR PUBLICATION

20

© COPYRIGHT 20 BY -

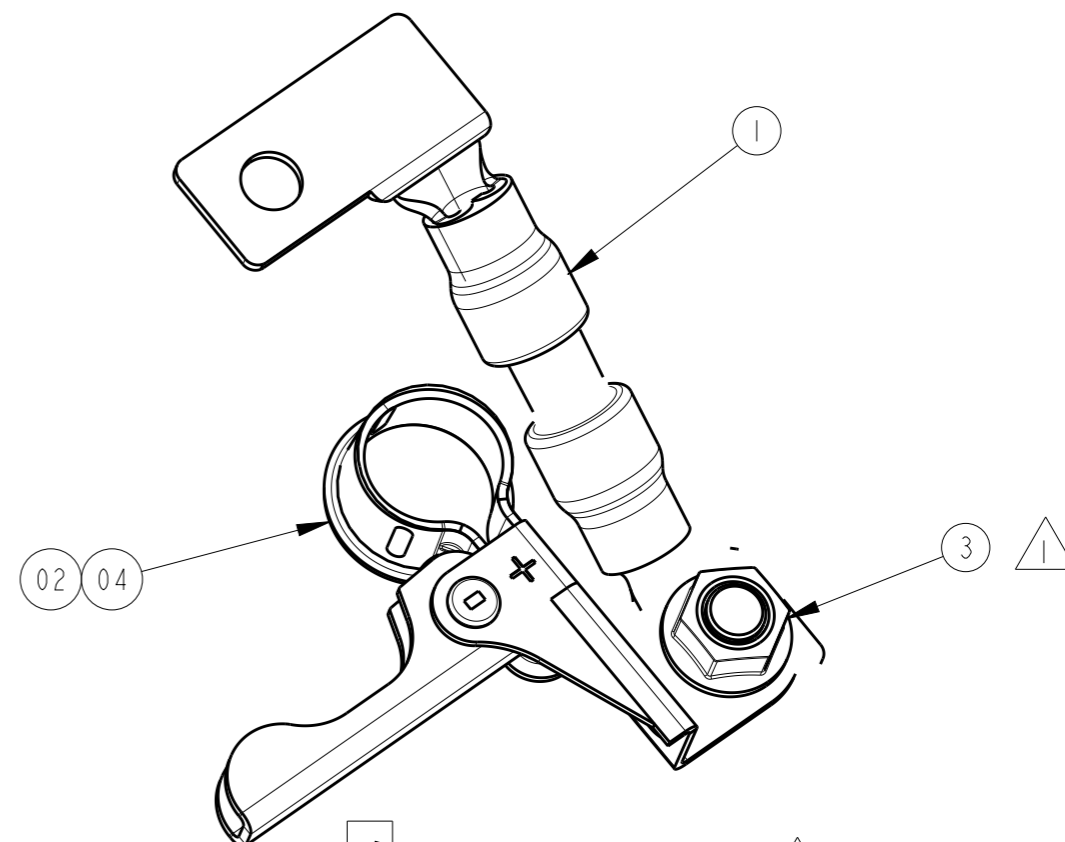
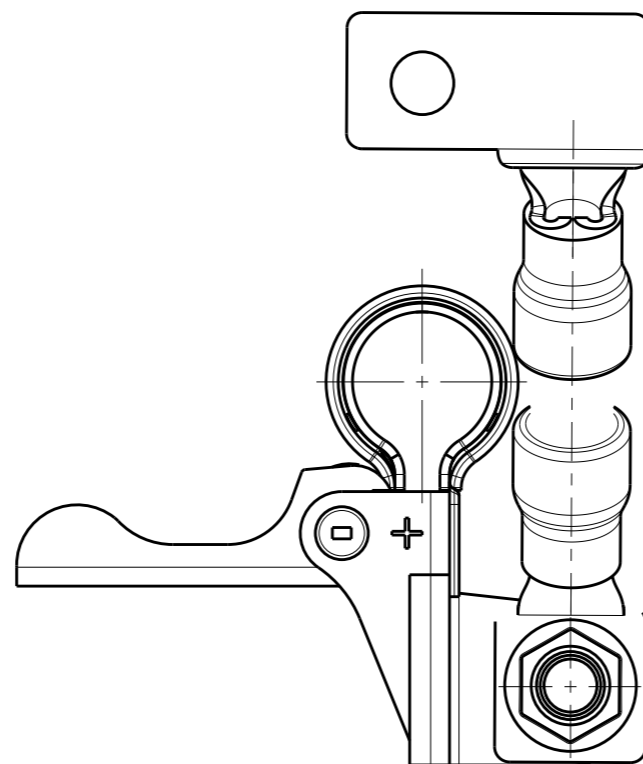
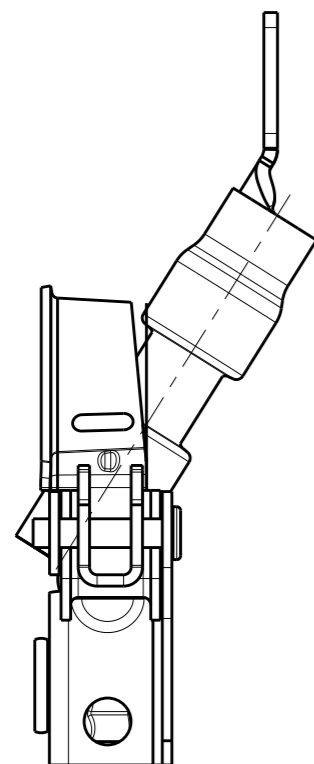
ALL RIGHTS RESERVED.

LOC AP DIST -

REVISIONS

P	LTR	DESCRIPTION	DATE	DWN	APVD
	A	CHANGE STATUS ECO-13-008306	21MAY2013	NCL	NMS
	A1	REVISED DRAWING ECO-14-015974	24OCT2014	NCL	NMS
	A2	OBSOLETE DASH 1 ECO-16-005882	19APR2016	NCL	NMS

**creo**  
Creo Parametric 2.0  
**DO NOT REVISE  
EXCEPT BY CAD**



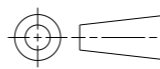
△ - TORQUE 5 a 6 Nm

OBSOLETE

REQ. PER ASSY	ITEM	DESCRIPTION	NOTES
	4	BATTERY TERMINAL ASSY POSITIVE	—
	3	M8 HEXAGON NUT WITH FLANGE	—
	2	BATTERY TERMINAL ASSY POSITIVE	—
	1	LEAD ASSY, 35 mm <sup>2</sup>	—
2133426	-2		

THIS DRAWING IS A CONTROLLED DOCUMENT.

DIMENSIONS:  
mm



TOLERANCES UNLESS OTHERWISE SPECIFIED:

0 PLC	±
1 PLC	±
2 PLC	±
3 PLC	±
4 PLC	±
ANGLES	±

MATERIAL -

FINISH -

DWN F. CHAPELA 15JUN2011

CHK J. R. GOLDSCHMIDT 15JUN2011

APVD N. M. SANTOS 15JUN2011

PRODUCT SPEC -

APPLICATION SPEC -

WEIGHT -

CUSTOMER DRAWING



TE Connectivity

NAME BATTERY TERMINAL WITH LEAD, 35mm<sup>2</sup>

SIZE A3 CAGE CODE 00779 DRAWING NO. C-2133426 RESTRICTED TO -

SCALE 1:1 SHEET 1 OF 1 REV A2