

注記 NOTE

- ① 材料及び仕上げ (めっき仕様) : TABLE 1 参照
MATERIAL AND FINISHED (PLATING SPECIFICATION) : SEE TABLE 1
- ② 嵌合相手 : 214092 シリーズ
MATE WITH: 214092 SERIES
- ③ 偶数極 に適用
APPLY FOR EVEN CIRCUIT.
- 4. ターミナルとネイルの平坦度は0.1mm以下
TERMINAL AND NAIL COPLANARITY : 0.1mm MAXIMUM
- 5. 製品仕様書 : 2140920000-PS 000
PRODUCT SPECIFICATION : 2140920000-PS 000
- 6. アプリケーション仕様書 : 2166940000-AS 000
APPLICATION SPECIFICATION : 2166940000-AS 000
- ⑦ 発注番号 : SHEET 5の製品一覧を参照ください
ORDER NO. : REFER TO SHEET 5 FOR PRODUCT LIST

| | | | |
|------|-----|-------|--------------------|
| 9.52 | 7.0 | 10.54 | 8 |
| 8.52 | 6.0 | 9.54 | 7 |
| 7.52 | 5.0 | 8.54 | 6 |
| 6.52 | 4.0 | 7.54 | 5 |
| 5.52 | 3.0 | 6.54 | 4 |
| 4.52 | 2.0 | 5.54 | 3 |
| 3.52 | 1.0 | 4.54 | 2 |
| C | B | A | 極数 CIRCUIT SIZE |

① TABLE 1

| 番号 NO. | 部品 PART | 材質 MATERIAL |
|--------|---------------------------------|--|
| ① | ハウジング HOUSING | ポリアミド(PA),ガラス充填,UL94 V-0,色 : 黒 POLYAMIDE (PA),GLASS FILLED,UL94 V-0,COLOR:BLACK |
| ② | ターミナル及びネイル TERMINAL AND NAIL | 黄銅 BRASS |
| | | 錫めっき : 1.0 MICROMETER MINIMUM MATTE TIN PLATING ニッケルめっき(下地全面) : 1.0 MICROMETER MINIMUM NICKEL (UNDER-PLATING OVERALL) |

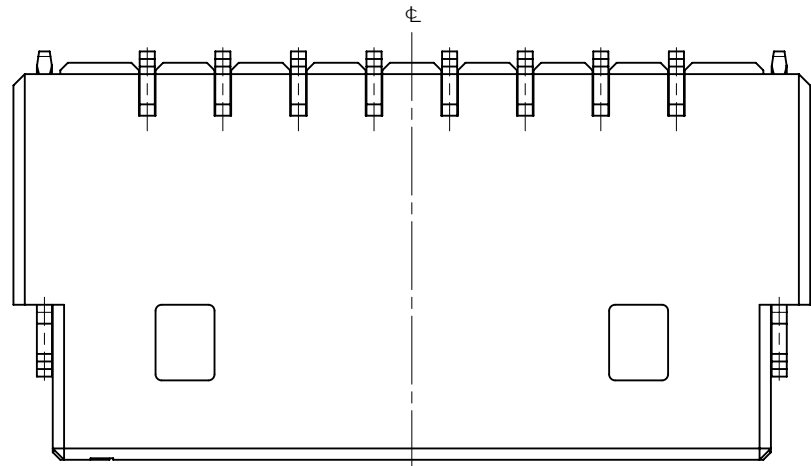
DOCUMENT STATUS P1 RELEASE DATE 2021/12/13 10:05:07

214097 0 0 * 0

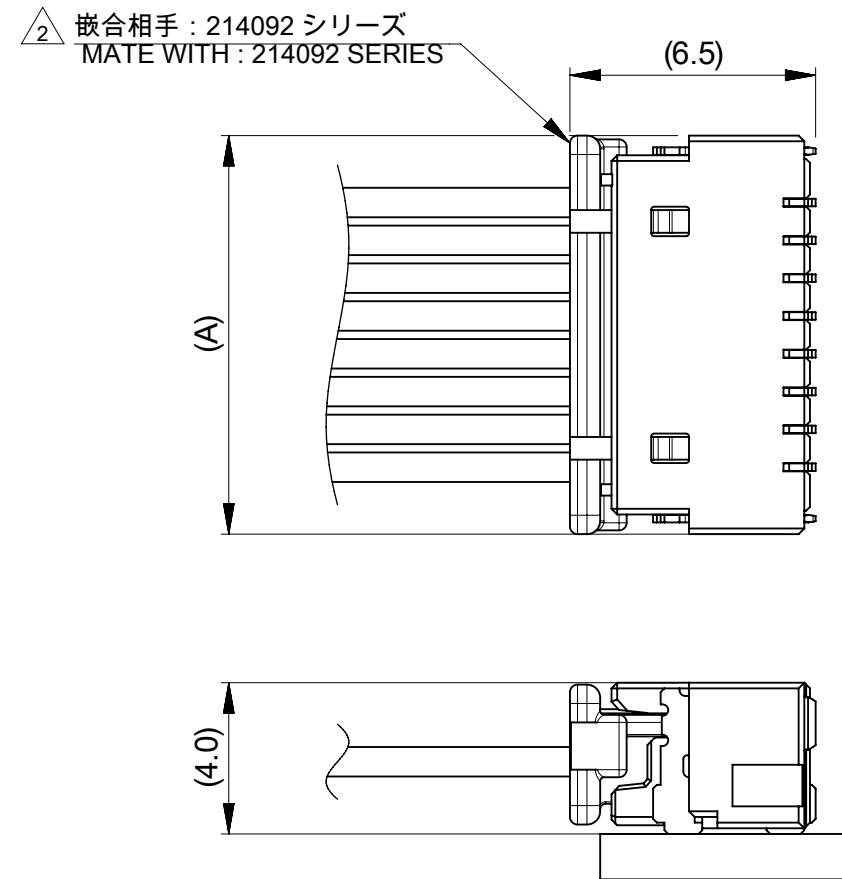
極数
CIRCUIT SIZE

THIS DRAWING CONTAINS INFORMATION THAT IS PROPRIETARY TO MOLEX ELECTRONIC TECHNOLOGIES, LLC AND SHOULD NOT BE USED WITHOUT WRITTEN PERMISSION

| | | | | | | | |
|--|----------------|-------------------|------------|--------------------------|----------|--------------|--|
| DIMENSION UNITS mm | SCALE NTS | CURRENT REV DESC: | | molex | | | |
| GENERAL TOLERANCES (UNLESS SPECIFIED) | | EC NO: 688260 | | | | | |
| ANGULAR TOL ± 3.0° | 4 PLACES ± 0.2 | DRWN: AISHIKAWA | 2021/07/19 | PRODUCT CUSTOMER DRAWING | | | |
| 3 PLACES ± 0.2 | 2 PLACES ± 0.2 | CHK'D: AIDA | 2021/12/13 | DOCUMENT NUMBER | | | |
| 1 PLACE ± 0.2 | 0 PLACES ± 0.2 | APPR: SAKIYAMA | 2021/12/13 | 2140970000-SD | | | |
| DRAFT WHERE APPLICABLE MUST REMAIN WITHIN DIMENSIONS | | INITIAL REVISION: | | DOC TYPE | DOC PART | REVISION | |
| THIRD ANGLE PROJECTION | | DRWN: AISHIKAWA | 2021/07/19 | PSD | 000 | A | |
| DRAWING | | APPR: SAKIYAMA | 2021/12/13 | MATERIAL NUMBER | CUSTOMER | SHEET NUMBER | |
| A3-SIZE | 214097 | SEE SHEET 5 | GENERAL | 1 OF 5 | | | |

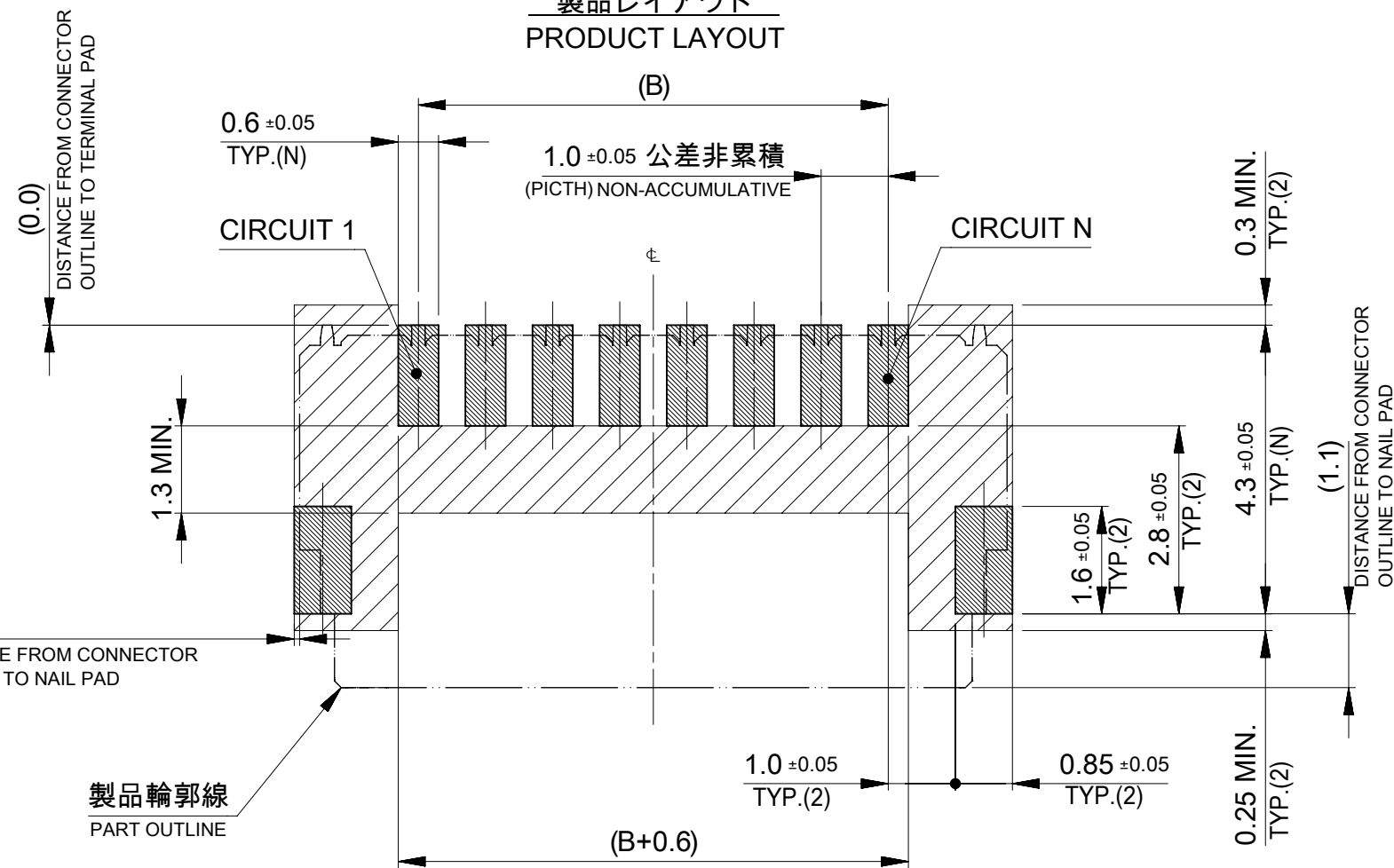


製品レイアウト
PRODUCT LAYOUT



嵌合状態図
MATED CONNECTORS

△ 嵌合相手 : 214092 シリーズ
MATE WITH : 214092 SERIES



推奨基板レイアウト:実装面側

(参考: 基板厚1.2mm, メタルマスク厚0.1~0.12mm, マスク開口率100%)

SUGGESTED PCB LAYOUT : COMPONENT SIDE

(REFERENCE: PCB THICKNESS 1.2mm, STENCIL THICKNESS 0.1~0.12mm, APERTURE RATIO 100%)

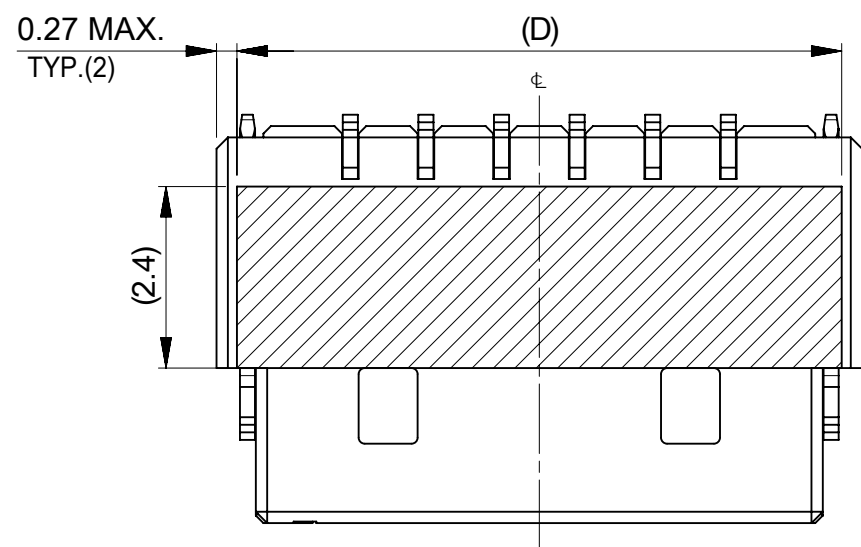


:パターン非推奨エリア

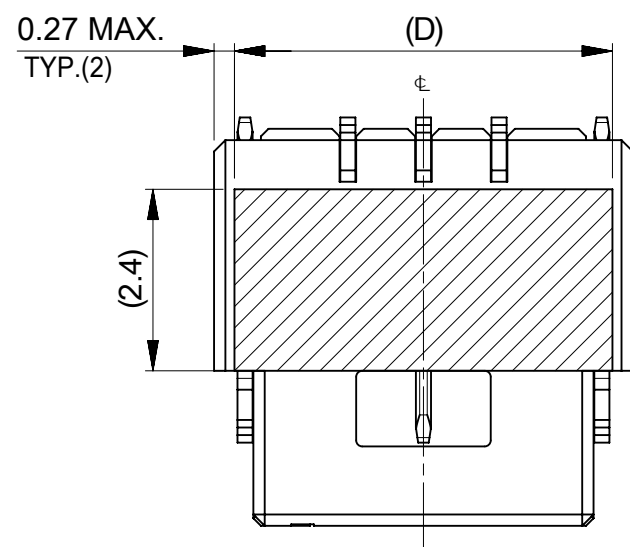
パターンを引き回す際は、製品機能に影響がないことをご確認ください。
PATTERN IS NOT RECOMMENDED ON THE HATCHING AREA
PLEASE CHECK NOT TO HAVE PROBLEM FOR PRODUCT FUNCTION
WHEN SETTING PATTERN ON THE HATCHING AREA.

| | | | | | | | | | |
|---|--|----------------------------|--|---|--|-----------------|--|--------------|--|
| THIS DRAWING CONTAINS INFORMATION THAT IS PROPRIETARY TO MOLEX ELECTRONIC TECHNOLOGIES, LLC AND SHOULD NOT BE USED WITHOUT WRITTEN PERMISSION | | | | | | | | | |
| DIMENSION UNITS | | SCALE | | CURRENT REV DESC: | | | | | |
| mm | | NTS | | <p>molex</p> <p>ONEBLADE1.0 WTB SINGLE ROW RIGHT ANGLE SMT HEADER ASSEMBLY TIN PLATING</p> <p>PRODUCT CUSTOMER DRAWING</p> <p>DOCUMENT NUMBER: 2140970000-SD DOC TYPE: PSD DOC PART: 000 REVISION: A</p> | | | | | |
| GENERAL TOLERANCES (UNLESS SPECIFIED) | | | | | | | | | |
| ANGULAR TOL ± 3.0° | | | | | | | | | |
| 4 PLACES ± 0.2 | | EC NO: 688260 | | | | | | | |
| 3 PLACES ± 0.2 | | DRWN: AISHIKAWA 2021/07/19 | | | | | | | |
| 2 PLACES ± 0.2 | | CHK'D: AIDA 2021/12/13 | | | | | | | |
| 1 PLACE ± 0.2 | | APPR: SAKIYAMA 2021/12/13 | | | | | | | |
| 0 PLACES ± 0.2 | | INITIAL REVISION: | | DRWN: AISHIKAWA 2021/07/19 | | MATERIAL NUMBER | | CUSTOMER | |
| DRAFT WHERE APPLICABLE MUST REMAIN WITHIN DIMENSIONS | | THIRD ANGLE PROJECTION | | DRAWING | | SERIES | | SHEET NUMBER | |
| | | A3-SIZE | | 214097 | | SEE SHEET 5 | | GENERAL | |

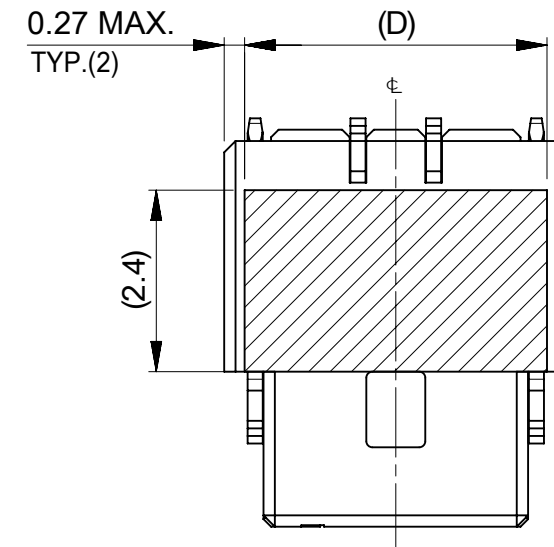
製品形状及び吸着エリア PRODUCT SHAPE AND SUCTION AREA



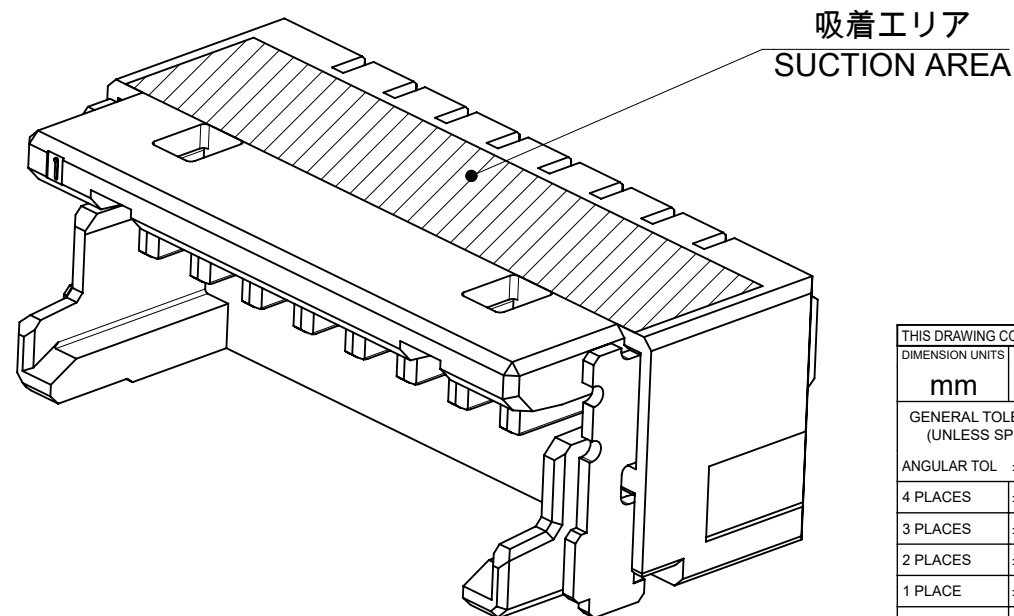
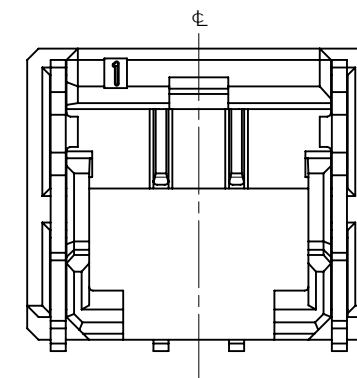
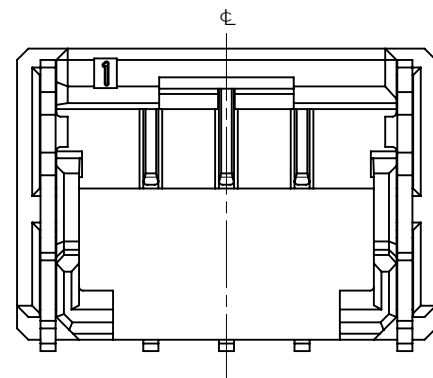
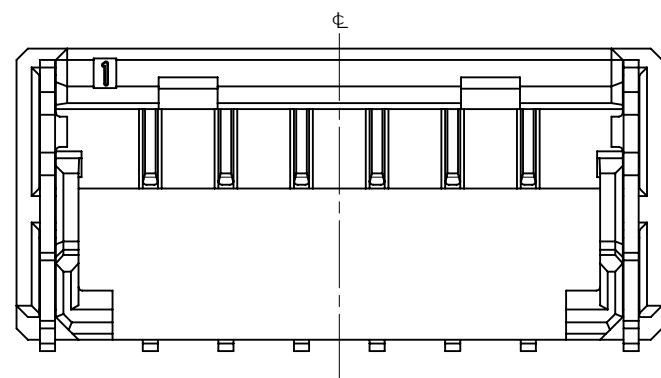
4~8極形状(2ロック)
VIEW OF 4~8 CIRCUIT(2 LOCKS)



3極形状(1ロック)
VIEW OF 3 CIRCUIT(1 LOCK)

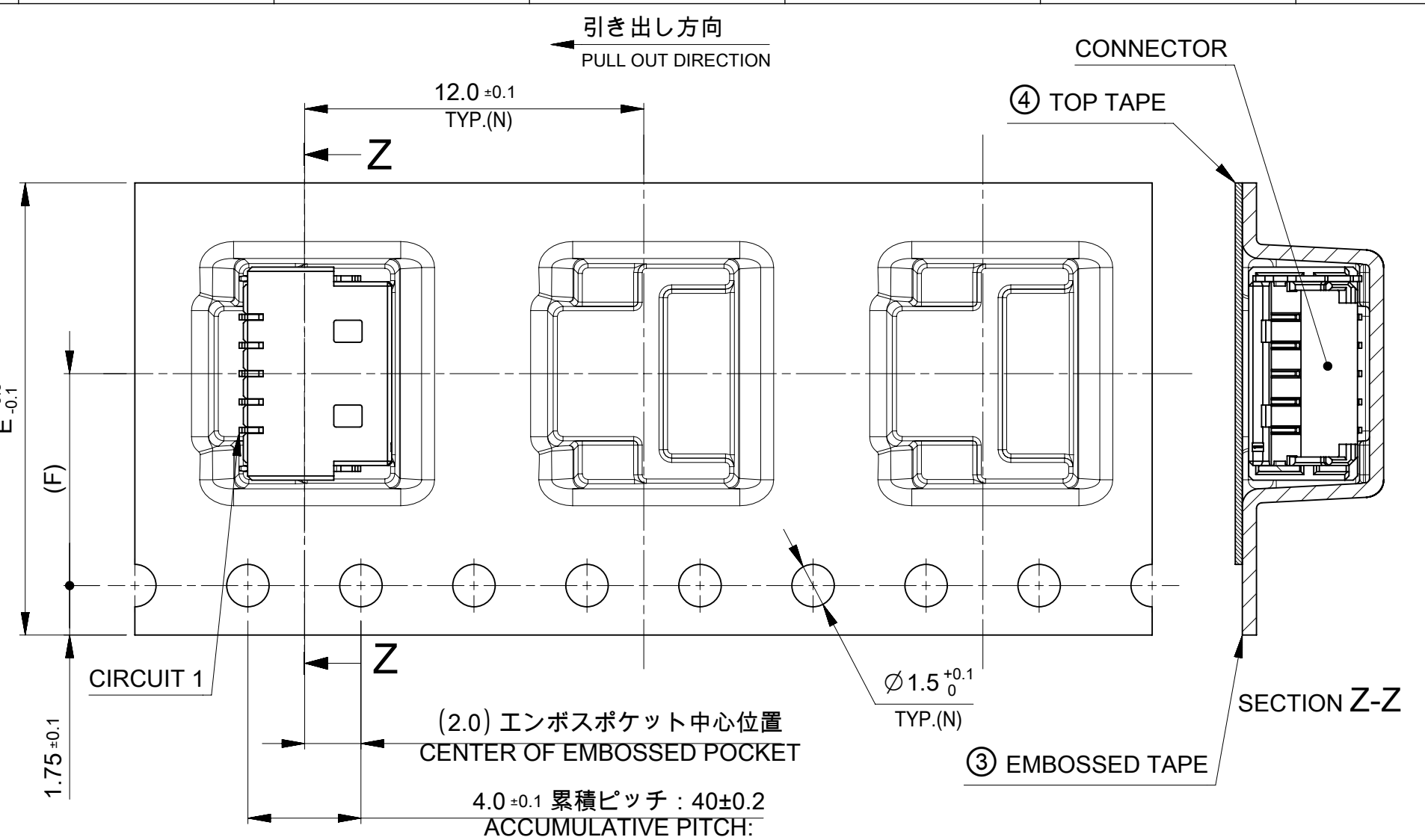
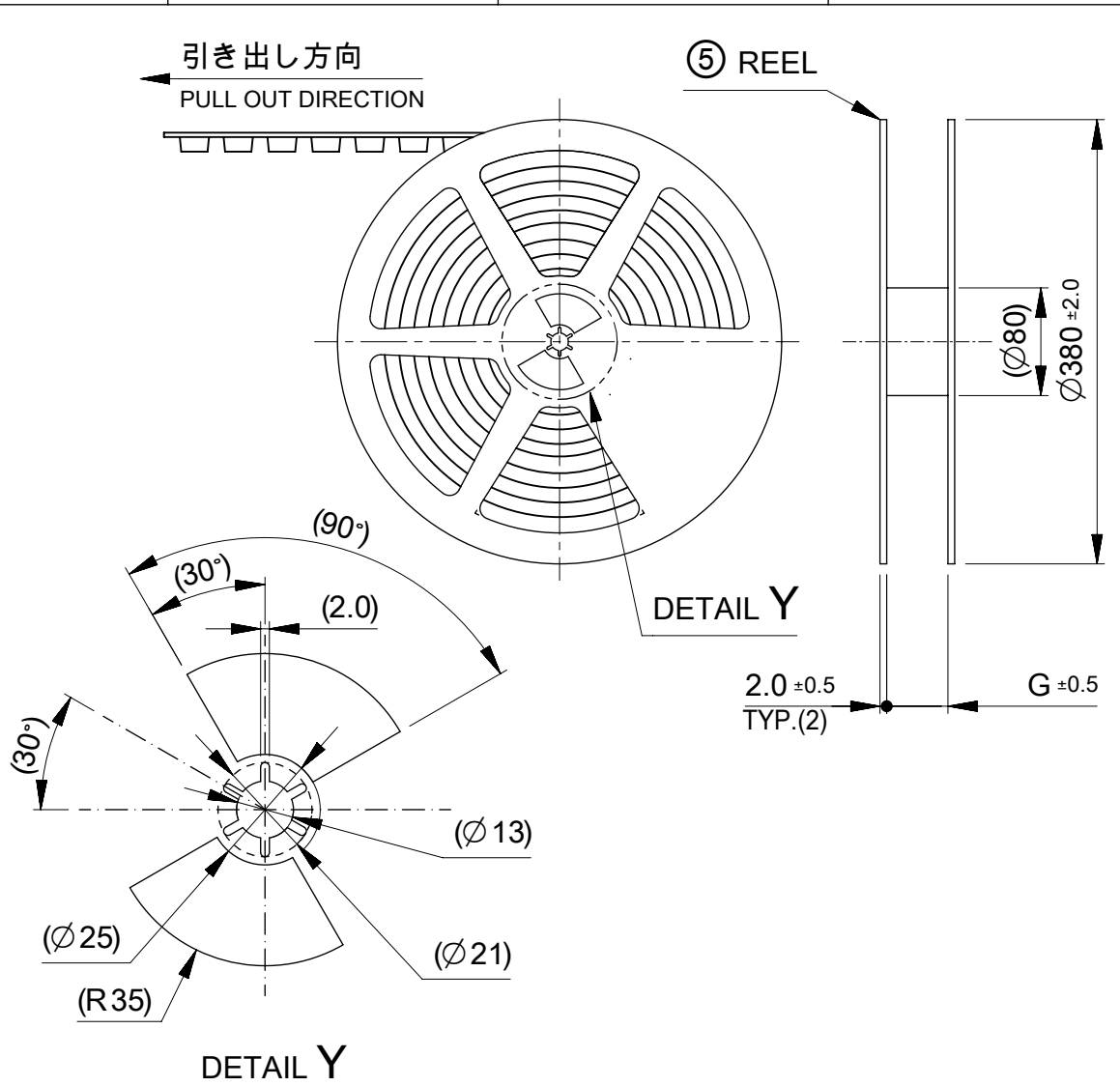


2極形状(1ロック)
VIEW OF 2 CIRCUIT(1 LOCK)



| | |
|------|--------------------|
| 10.0 | 8 |
| 9.0 | 7 |
| 8.0 | 6 |
| 7.0 | 5 |
| 6.0 | 4 |
| 5.0 | 3 |
| 4.0 | 2 |
| D | 極数 CIRCUIT SIZE |

| | | | | | | | | | | | |
|---|--|-------|--|------------------------|--|--------------|--|-----------------|--|-----------------|--|
| THIS DRAWING CONTAINS INFORMATION THAT IS PROPRIETARY TO MOLEX ELECTRONIC TECHNOLOGIES, LLC AND SHOULD NOT BE USED WITHOUT WRITTEN PERMISSION | | | | | | | | | | | |
| DIMENSION UNITS | | SCALE | | CURRENT REV DESC: | | | | | | | |
| mm | | NTS | | | | | | | | | |
| GENERAL TOLERANCES (UNLESS SPECIFIED) | | | | | | | | | | | |
| ANGULAR TOL ± 3.0° | | | | | | | | | | | |
| 4 PLACES | | ± 0.2 | | EC NO: 688260 | | | | | | | |
| 3 PLACES | | ± 0.2 | | DRWN: AISHIKAWA | | 2021/07/19 | | | | | |
| 2 PLACES | | ± 0.2 | | CHK'D: AIDA | | 2021/12/13 | | | | | |
| 1 PLACE | | ± 0.2 | | APPR: SAKIYAMA | | 2021/12/13 | | | | | |
| 0 PLACES | | ± 0.2 | | INITIAL REVISION: | | | | | | | |
| | | | | DRWN: AISHIKAWA | | 2021/07/19 | | | | | |
| | | | | APPR: SAKIYAMA | | 2021/12/13 | | | | | |
| DRAFT WHERE APPLICABLE MUST REMAIN WITHIN DIMENSIONS | | | | THIRD ANGLE PROJECTION | | DRAWING | | SERIES | | MATERIAL NUMBER | |
| | | | | | | A3-SIZE | | 214097 | | SEE SHEET 5 | |
| DOCUMENT STATUS | | | | P1 | | RELEASE DATE | | 2021/12/13 | | 10:05:07 | |
| | | | | | | | | | | | |
| ONEBLADE1.0 WTB SINGLE ROW RIGHT ANGLE SMT HEADER ASSEMBLY TIN PLATING | | | | | | | | | | | |
| PRODUCT CUSTOMER DRAWING | | | | | | | | | | | |
| DOCUMENT NUMBER | | | | DOC TYPE | | DOC PART | | REVISION | | | |
| 2140970000-SD | | | | PSD | | 000 | | A | | | |
| SHEET NUMBER | | | | CUSTOMER | | SERIES | | MATERIAL NUMBER | | REVISION | |
| 3 OF 5 | | | | GENERAL | | 214097 | | SEE SHEET 5 | | A | |



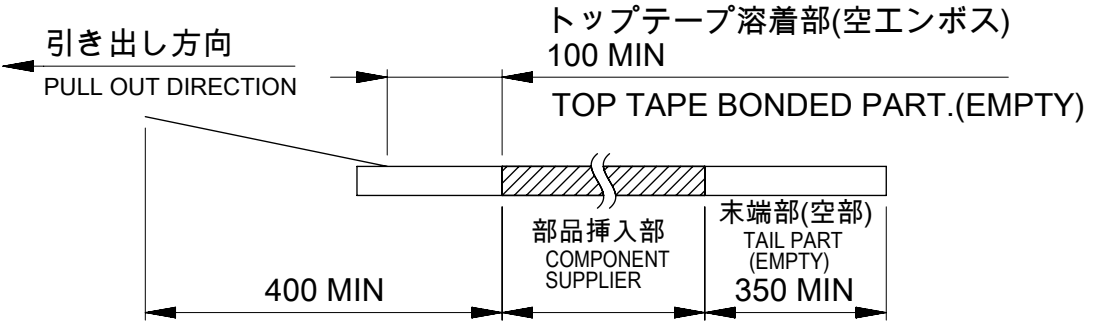
注記:
NOTES:

8. 梱包数量: 1,600個/リール
NUMBER OF CONNECTORS: 1,600 PIECES/REEL

9. リードテープ長さ
LEAD TAPE LENGTH

10. トップテープの剥離強度はIEC60286-3に準拠。
TOP TAPE PEELING FORCE IS DEFINED BY IEC60286-3.

11. 梱包仕様書: 2140979200-SPK 200
PACKAGING SPECIFICATION: 2140979200-SPK 200



| | | | |
|------|-----------------------------------|-----------------------------|--------------------|
| 25.5 | 11.5 | 24 | 8 |
| | | | 7 |
| 17.5 | 7.5 | 16 | 6 |
| | | | 5 |
| | | | 4 |
| | | | 3 |
| G | コネクタ中心位置 F CENTER OF CONNECTOR | エンボステープ幅 E WIDTH OF TAPE | 2 |
| | | | 極数 CIRCUIT SIZE |

| 番号 No. | 部品 PART | 材質 MATERIAL |
|-----------|---------------------------|--|
| ③ | エンボステープ EMBOSSSED TAPE | ポリスチレン(PS),その他 POLYSTYRENE(PS),etc |
| ④ | トップテープ TOP TAPE | ポリエチレン(PE),その他 POLYETHYLENE(PE),etc |
| ⑤ | リール REEL | ポリスチレン(PS) <リサイクル材を含む> POLYSTYRENE(PS) <RECYCLE MATERIAL CONTAINED > |

THIS DRAWING CONTAINS INFORMATION THAT IS PROPRIETARY TO MOLEX ELECTRONIC TECHNOLOGIES, LLC AND SHOULD NOT BE USED WITHOUT WRITTEN PERMISSION

DIMENSION UNITS: mm SCALE: NTS

GENERAL TOLERANCES (UNLESS SPECIFIED): ANGULAR TOL ± 3.0°

4 PLACES ± 0.2
3 PLACES ± 0.2
2 PLACES ± 0.2
1 PLACE ± 0.2
0 PLACES ± 0.2

EC NO: 688260
DRWN: AISHIKAWA 2021/07/19
CHK'D: AIDA 2021/12/13
APPR: SAKIYAMA 2021/12/13

INITIAL REVISION:
DRWN: AISHIKAWA 2021/07/19
APPR: SAKIYAMA 2021/12/13

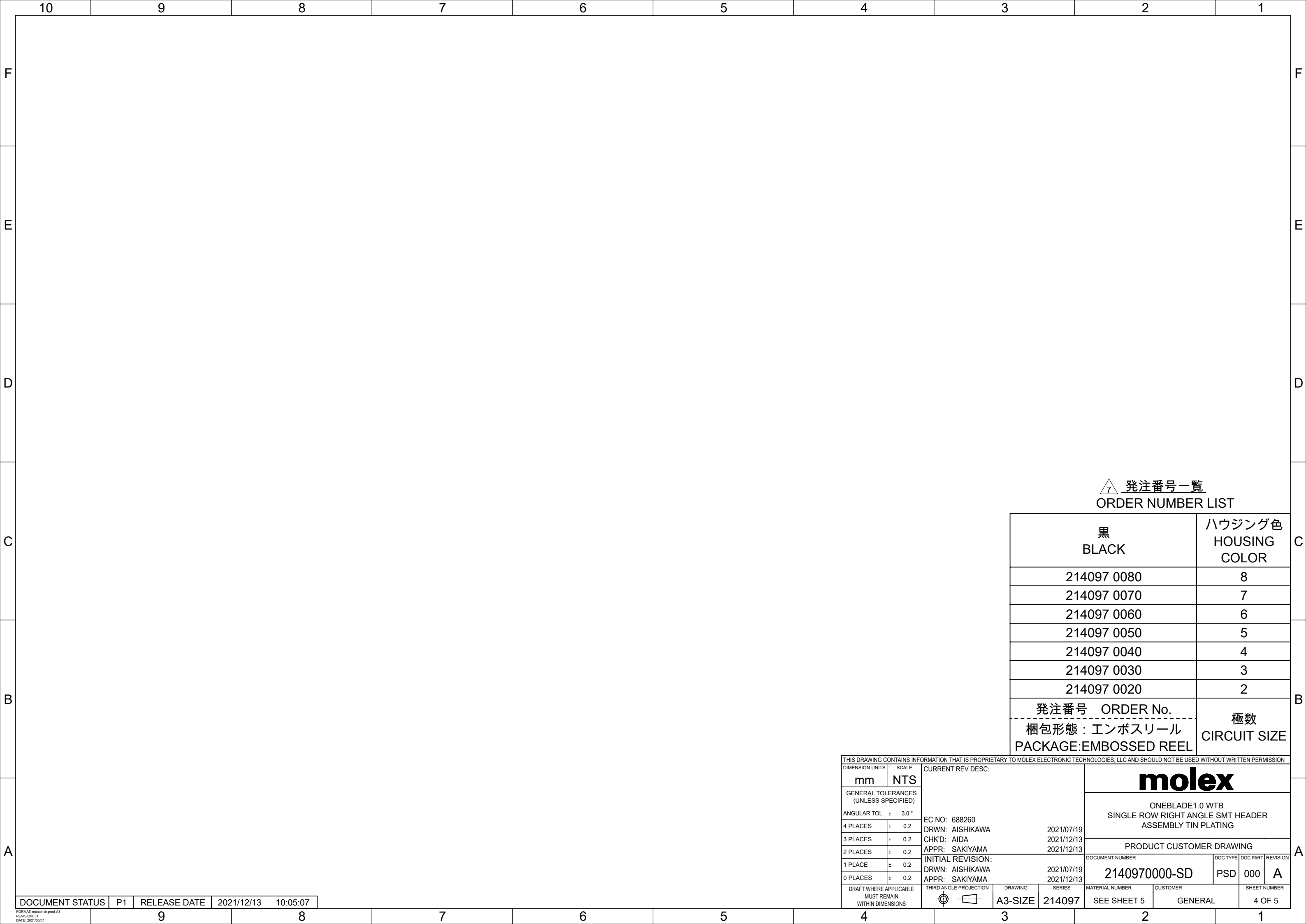
THIRD ANGLE PROJECTION

DRAWING: A3-SIZE SERIES: 214097 MATERIAL NUMBER: SEE SHEET 5 CUSTOMER: GENERAL SHEET NUMBER: 5 OF 5

DOCUMENT NUMBER: 2140970000-SD DOC TYPE: PSD DOC PART: 000 REVISION: A

PRODUCT CUSTOMER DRAWING

ONEBLADE1.0 WTБ SINGLE ROW RIGHT ANGLE SMT HEADER ASSEMBLY TIN PLATING



△ 発注番号一覧
ORDER NUMBER LIST

| 黒 BLACK | ハウジング色 HOUSING COLOR |
|--|----------------------------|
| 214097 0080 | 8 |
| 214097 0070 | 7 |
| 214097 0060 | 6 |
| 214097 0050 | 5 |
| 214097 0040 | 4 |
| 214097 0030 | 3 |
| 214097 0020 | 2 |
| 発注番号 ORDER No. ----- 梱包形態：エンボスリール PACKAGE:EMBOSSED REEL | 極数 CIRCUIT SIZE |

| | | | | | | | | | | | | | | |
|---|--|-------|--|--|--|--|--|------------------------|--|--|----------|-----------------|--|--------------|
| THIS DRAWING CONTAINS INFORMATION THAT IS PROPRIETARY TO MOLEX ELECTRONIC TECHNOLOGIES, LLC AND SHOULD NOT BE USED WITHOUT WRITTEN PERMISSION | | | | | | | | | | | | | | |
| DIMENSION UNITS | | SCALE | | CURRENT REV DESC: | | | | molex | | ONEBLADE1.0 WTB SINGLE ROW RIGHT ANGLE SMT HEADER ASSEMBLY TIN PLATING | | | | |
| mm | | NTS | | | | | | | | | | | | |
| GENERAL TOLERANCES (UNLESS SPECIFIED) | | | | EC NO: 688260 DRWN: AISHIKAWA 2021/07/19 CHK'D: AIDA 2021/12/13 APPR: SAKIYAMA 2021/12/13 INITIAL REVISION: DRWN: AISHIKAWA 2021/07/19 APPR: SAKIYAMA 2021/12/13 | | | | DOCUMENT NUMBER | | DOC TYPE | DOC PART | REVISION | | |
| ANGULAR TOL ± 3.0 ° | | | | | | | | 2140970000-SD | | PSD | 000 | A | | |
| 4 PLACES ± 0.2 | | | | | | | | DRAWING | | SERIES | | MATERIAL NUMBER | | CUSTOMER |
| 3 PLACES ± 0.2 | | | | | | | | A3-SIZE | | 214097 | | SEE SHEET 5 | | GENERAL |
| 2 PLACES ± 0.2 | | | | | | | | THIRD ANGLE PROJECTION | | | | | | SHEET NUMBER |
| 1 PLACE ± 0.2 | | | | | | | | | | | | | | 4 OF 5 |
| 0 PLACES ± 0.2 | | | | DRAFT WHERE APPLICABLE MUST REMAIN WITHIN DIMENSIONS | | | | | | | | | | |

| | | | | |
|-----------------|----|--------------|------------|----------|
| DOCUMENT STATUS | P1 | RELEASE DATE | 2021/12/13 | 10:05:07 |
|-----------------|----|--------------|------------|----------|