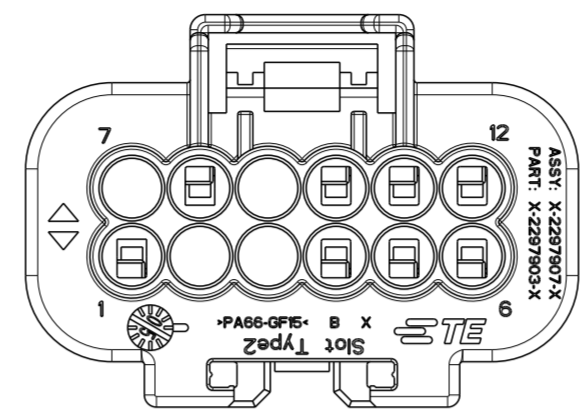
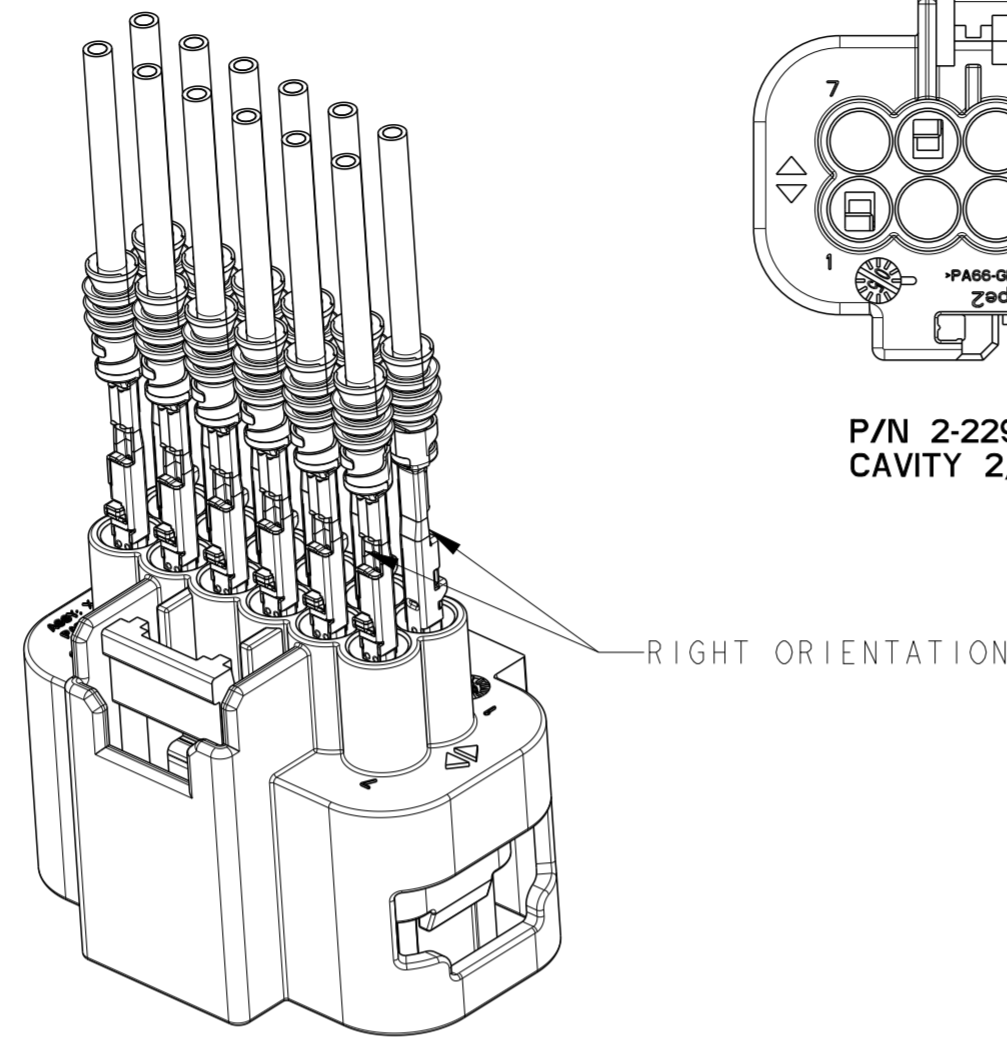
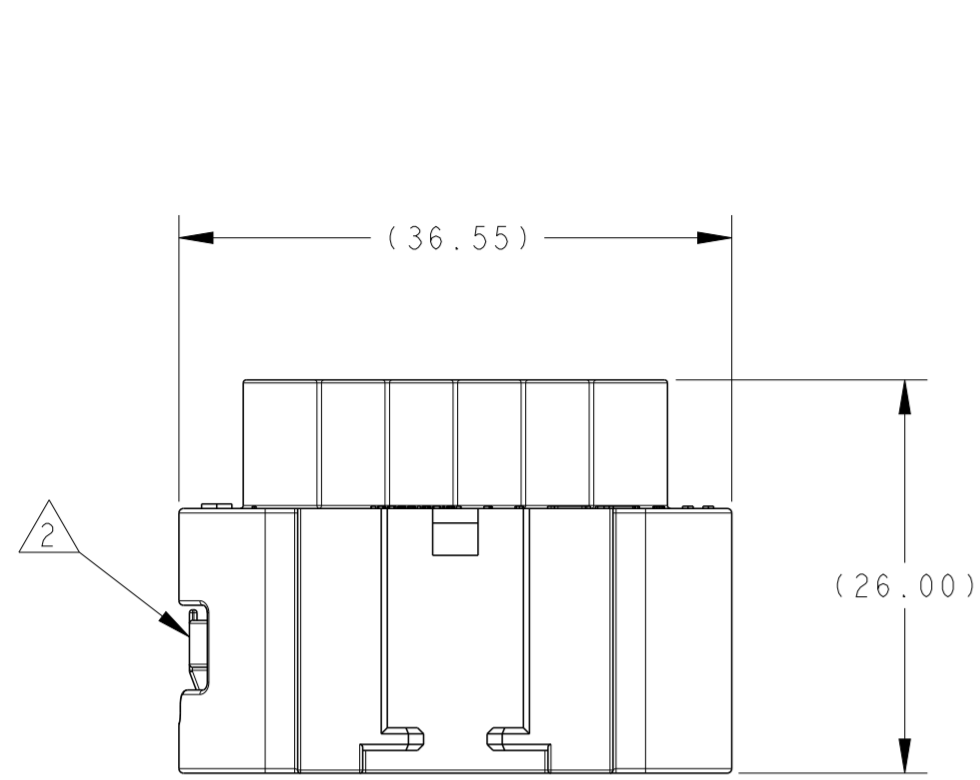
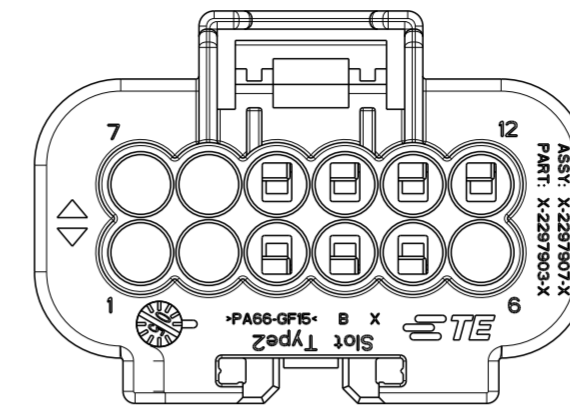


REVISIONS					
P	LTR	DESCRIPTION	DATE	DWN	APVD
A2		ADD COD 11 (ECR-17-009877)	12JUL2017	C.N	I.Y
B1		ECR-20-015486	30OCT2020	J.L	J.Z
B2		ECN-21-117679	15SEP2021	J.L	J.Z
B3		ECN-22-147753 NEW CODING	07APR2022	J.L	J.Z

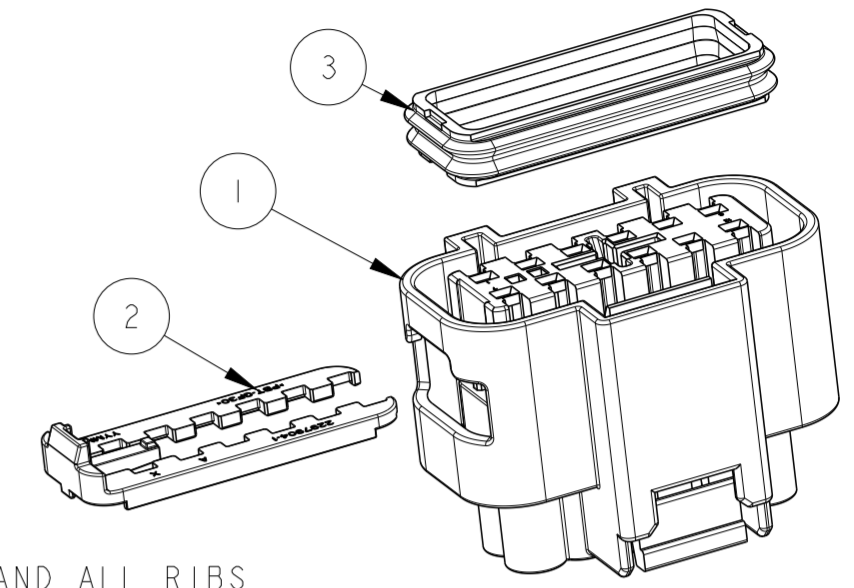
2297907-1 AS SHOWN



P/N 2-2297907-1
CAVITY 2,3,7,9 CLOSED



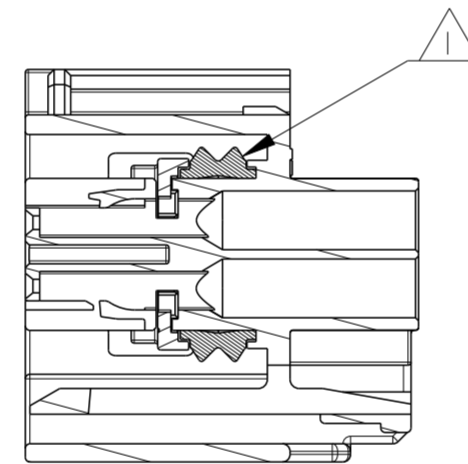
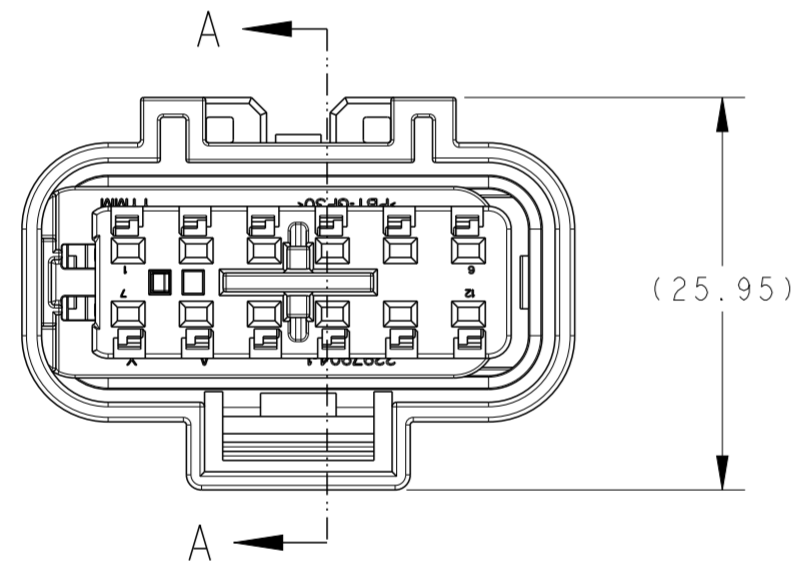
P/N 2-2297907-2
CAVITY 1,2,6,7,8 CLOSED



NOTES:

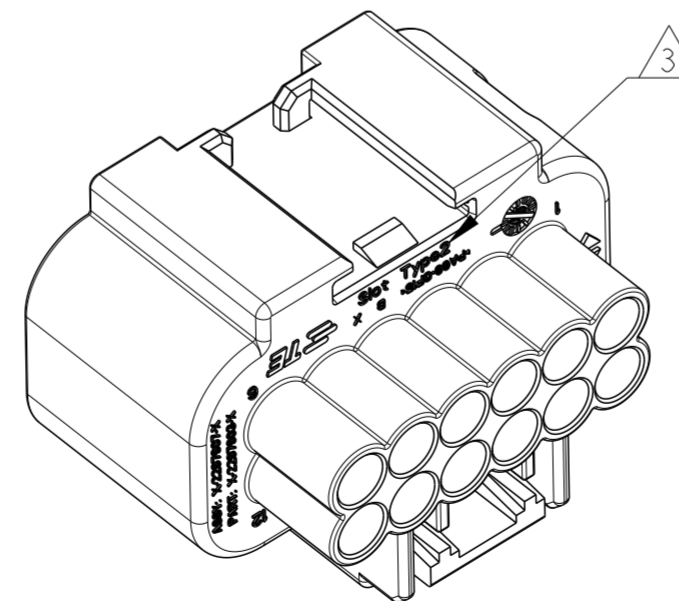
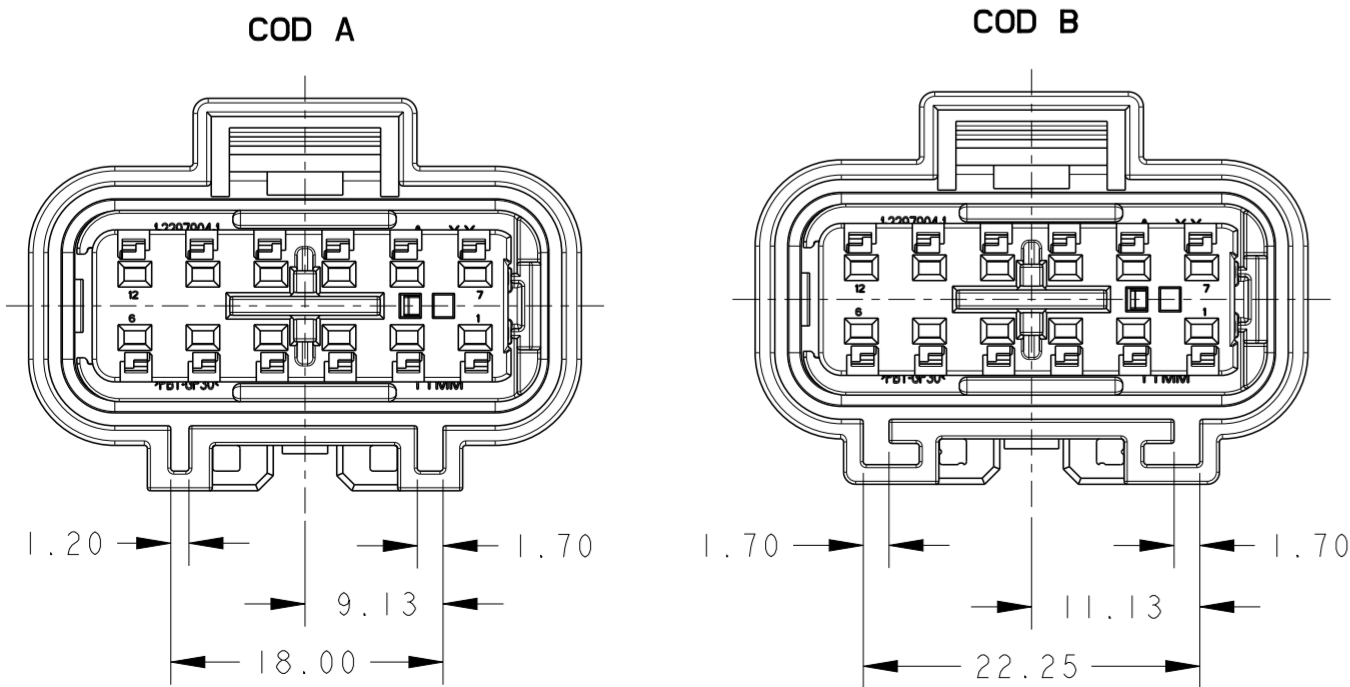
- 1 THE SEALING SHOULD BE FULLY INSERTED AND ALL RIBS OF THE SOCKET HOUSING SHOULD BE INSIDE OF THE CORRESPONDING POCKETS OF THE PERIPHERAL SEAL
- 2 ASSY DELIVERED WITH SECOND LOCK IN PRE-LOCK POSITION
- 3. PRODUCT SPEC: 108-101428
- 4. MATING CONNECTOR: 2297911
- 5. APPLICABLE TERMINAL PART NUMBERS AND WIRE SIZES :

TERMINAL	REFER TO DRAWING	WIRE SIZE (mm ²)	TERMINAL P/N	WIRE INSULATION (mm ²)	CAVITY DIAMETER (mm)	SWS PN/ SEALING PLUG
MCON 1.2	1534326	0.35	1418844	Ø1.10~Ø1.75	Ø3.95	SEE 114-18464
		0.5~0.75	1670146	Ø1.40~Ø1.90		
		1.0~1.5	1418850	Ø1.90~Ø2.40		
MONO 1.2	2364199	0.35	2364199-3	Ø1.10~Ø1.40	Ø3.95	SEE 114-32121
		0.5	2364199-2	Ø1.40~Ø1.70		
		0.75~1.0	2364199-1	Ø1.45~Ø2.10		



SECTION A-A

CODING CONFIGURATION



COD A		COD B		COD A		COD A		DESCRIPTION	MATERIAL	COLOR	ITEM
TYPE 2	TYPE 2	TYPE 2	TYPE 2	NA	NA						
1	1	1	1	1	1	O-RING	SILICONE	NATURAL	3		
1	1	1	1	1		TPA TYPE B	PBT-GF30	RED	2		
					1	TPA TYPE A	PBT-GF30	RED			
		1				HSG 7P,COD B	PA66-GF15	GRAY	1		
			1			HSG 8P,COD A	PA66-GF15	BLACK			
				1		HSG 12P,COD B	PA66-GF15	GRAY			
1				1	1	HSG 12P,COD A	PA66-GF15	BLACK			
3-2297907-1	2-2297907-2	2-2297907-1	1-2297907-2	1-2297907-1	2297907-1	3 CLIP SLOT MARK TE ASSEMBLY NO.					

THIS DRAWING IS A CONTROLLED DOCUMENT.

DIMENSIONS: mm	TOLERANCES UNLESS OTHERWISE SPECIFIED:	DWN J. ZHU 30DEC2015	TE Connectivity NAME 12WAY IN-LINE CONNECTOR, SEALING 12 WAY MCON1.2 SIZE A2 CAGE CODE - DRAWING NO C-2297907 RESTRICTED TO - SCALE 2:1 SHEET 1 OF 1 REV B3
	0 PLC ±	CHK A. DANG 30DEC2015	
	1 PLC ±0.5	APVD SY.WANG 30DEC2015	
	2 PLC ±0.3	PRODUCT SPEC 108-101428	
	3 PLC ±	APPLICATION SPEC -	
	4 PLC ±	WEIGHT -	
MATERIAL SEE TABLE	FINISH -	CUSTOMER DRAWING	