

cable connector for circuit breaker Size S0 with screw terminal (multi-unit packaging)



General technical data

product brand name	SIRIUS
product designation	Connection plug
design of the product	for circuit breaker S0 screw terminal
size of the circuit-breaker	S0

Installation/ mounting/ dimensions

fastening method	Screw fixing in circuit breaker, pluggable in infeed system with spring-loaded terminal
------------------	---

Certificates/ approvals

General Product Approval	Declaration of Conformity
--------------------------	---------------------------



[Confirmation](#)



Test Certificates	Marine / Shipping	other
-------------------	-------------------	-------

[Special Test Certificate](#)

[Type Test Certificates/Test Report](#)



[Confirmation](#)

[Environmental Confirmations](#)

other



Further information

Information- and Downloadcenter (Catalogs, Brochures,...)

<https://www.siemens.com/ic10>

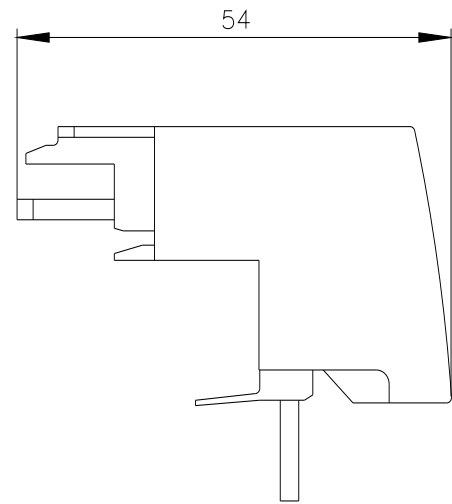
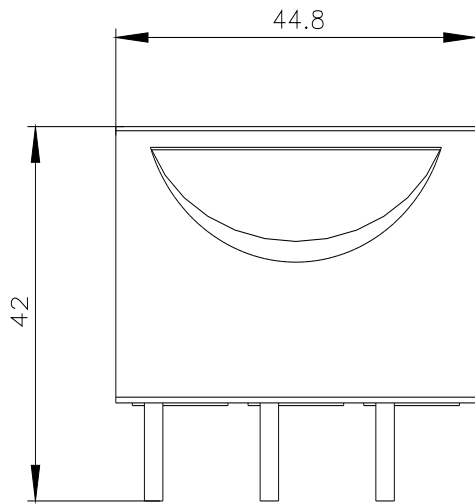
Industry Mall (Online ordering system)

<https://mall.industry.siemens.com/mall/en/en/Catalog/product?mlfb=3RV1927-5A>

Cax online generator

<http://support.automation.siemens.com/WW/CAXorder/default.aspx?lang=en&mlfb=3RV1927-5A>

Service&Support (Manuals, Certificates, Characteristics, FAQs,...)



last modified:

12/23/2020 