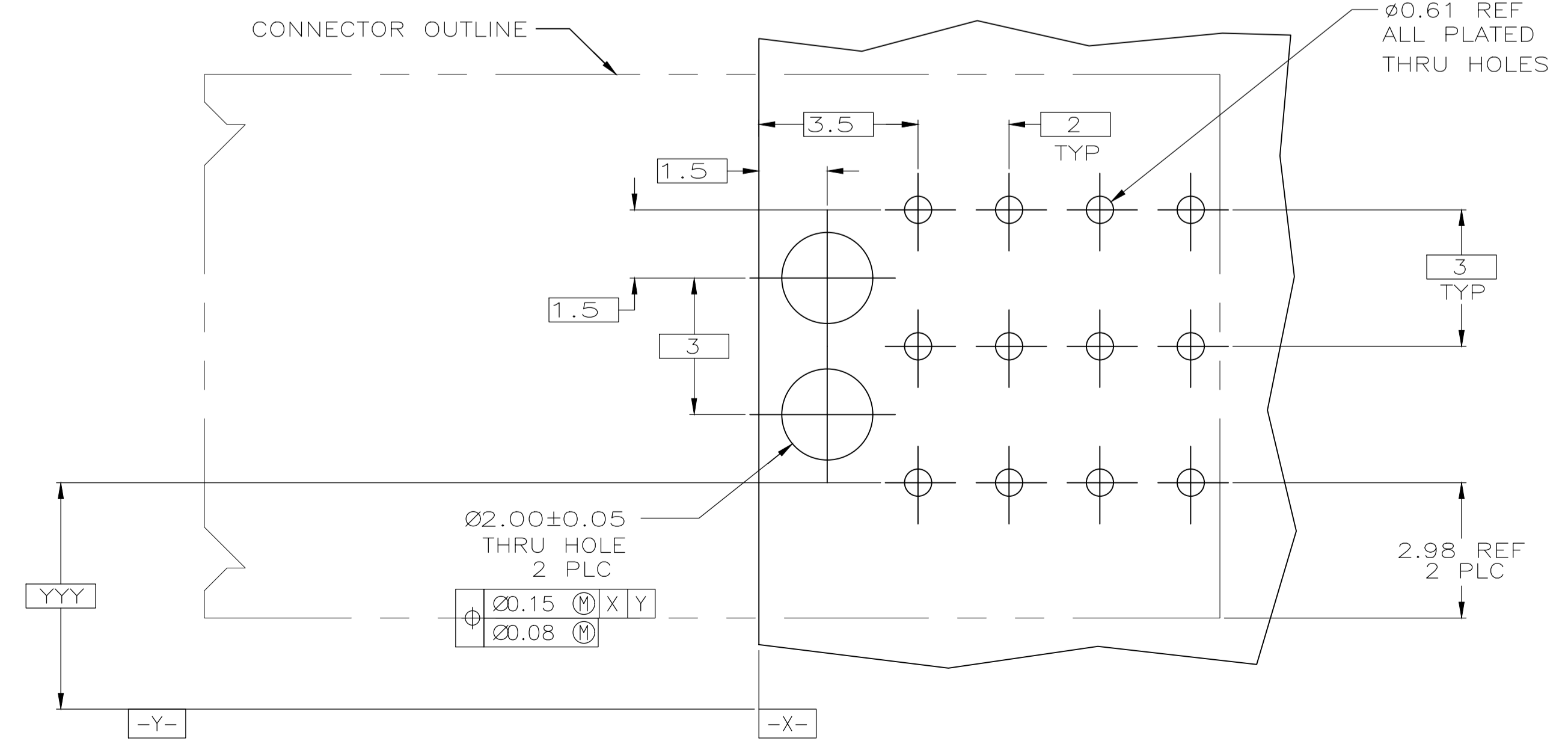
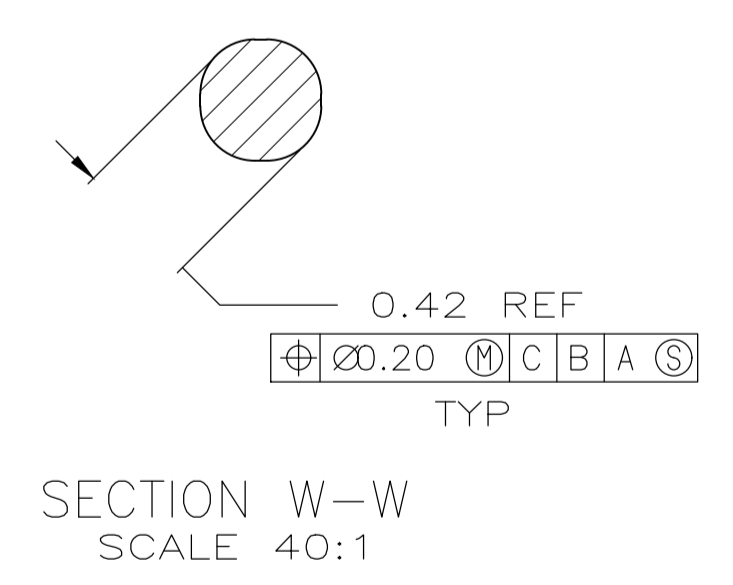
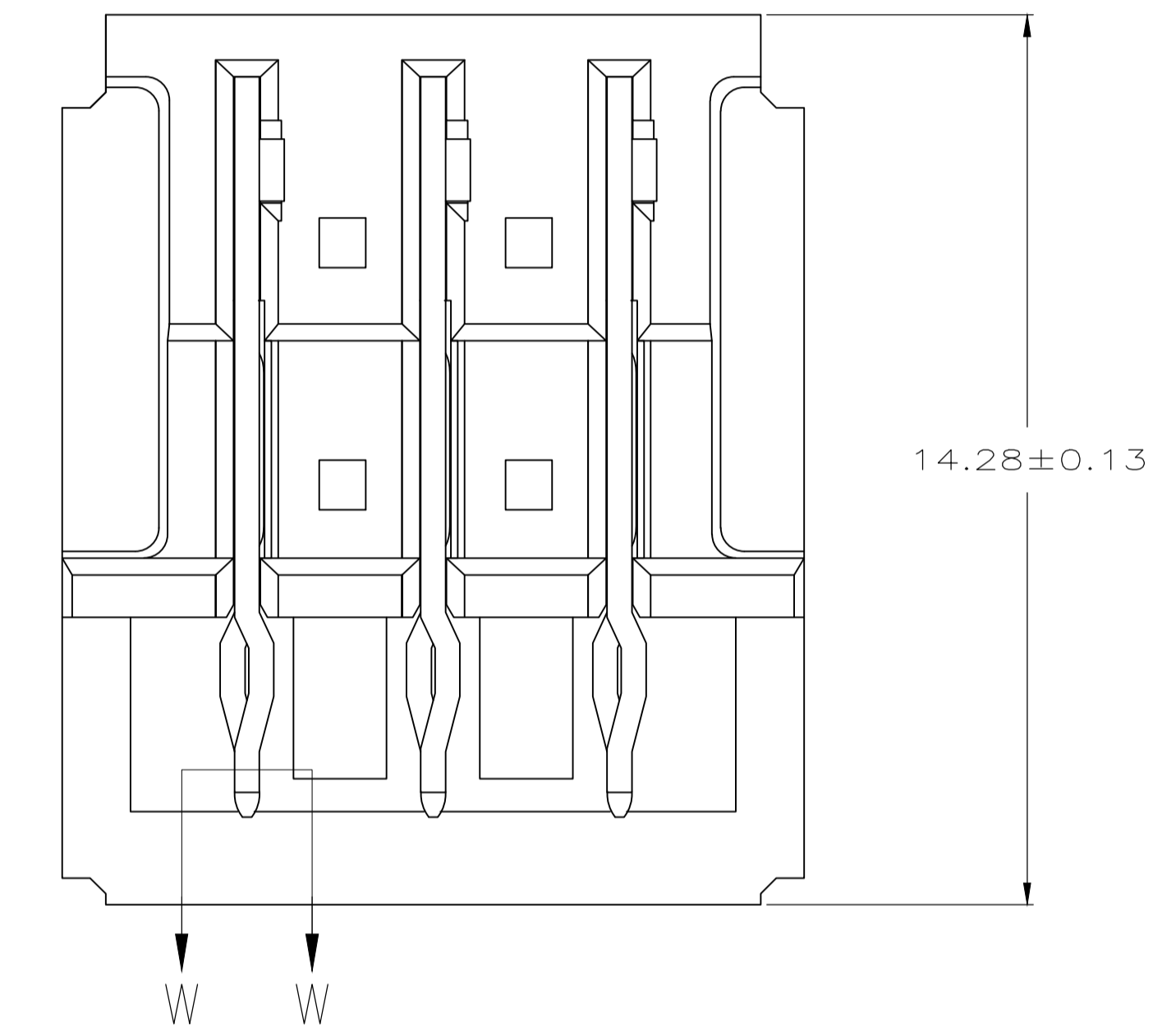
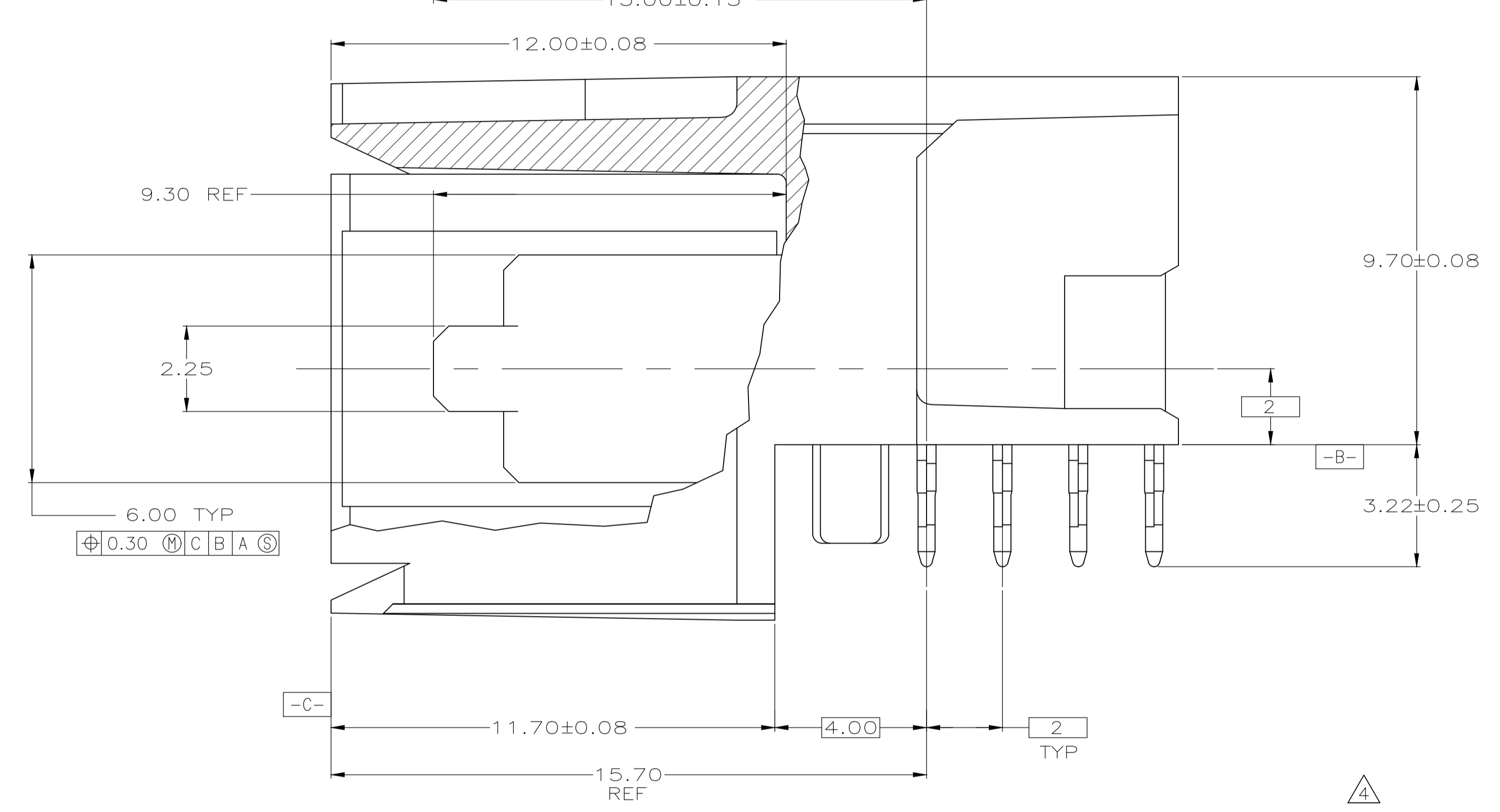
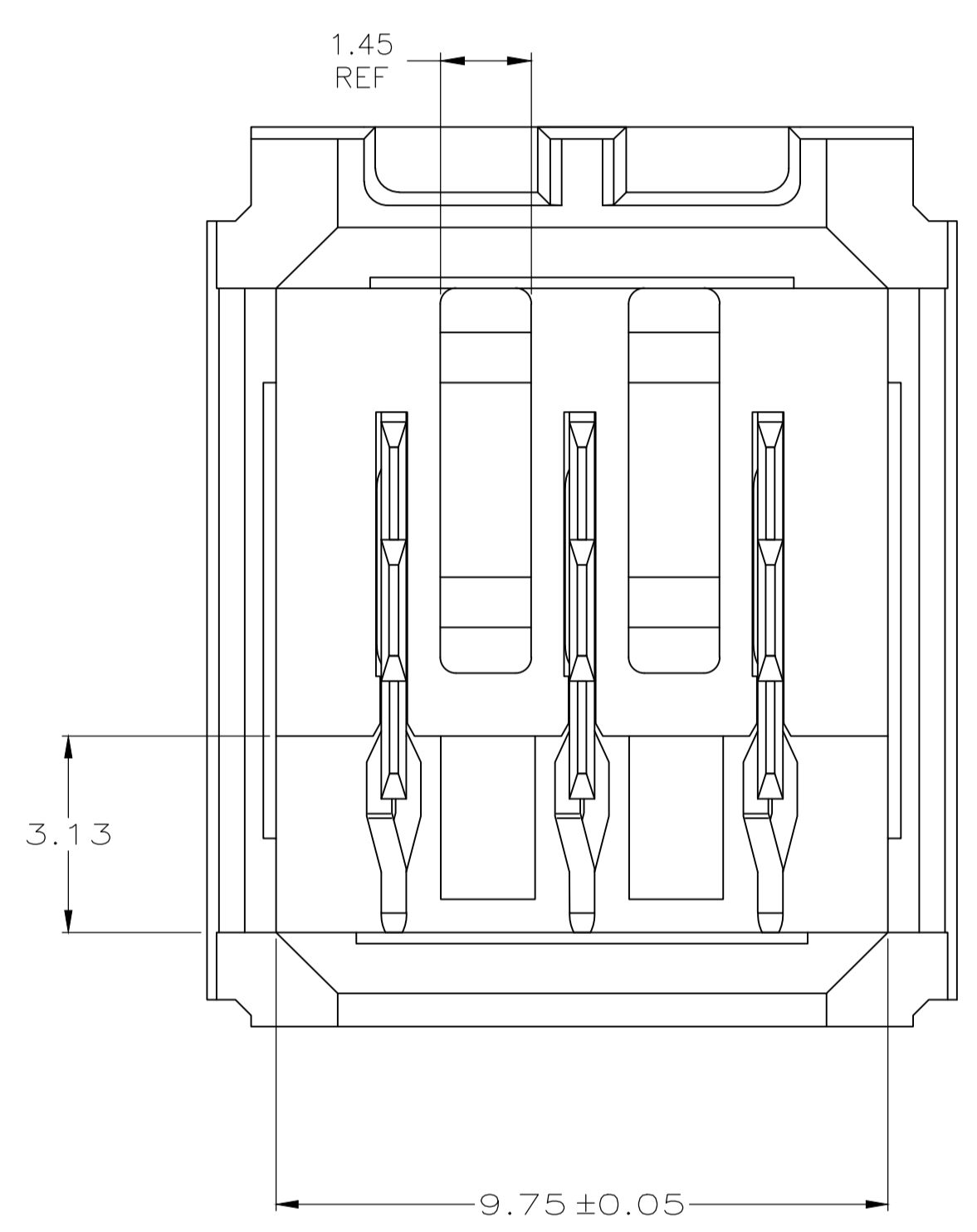


- 1 MATERIAL: HOUSING: POLYESTER, COLOR: GRAY. UL 94V-0  
CONTACT: PHOSPHOR BRONZE.
- 2 FINISH: CONTACT MATING AREA: 1.27µm MIN GOLD OR 0.08µm MIN GOLD OVER  
0.76µm MIN PALLADIUM-NICKEL.  
ACTION PIN AREA: 0.5µm MIN TIN PLATE,  
ALL OVER 1.27µm MIN NICKEL UNDERPLATE.
- 3 FINISH: CONTACT LUBRICATION WITH BELLCORE APPROVED  
LUBRICANT. TECHNICAL REFERENCE: TR-NWT-001217  
ISSUE 1, SEPT 1992.
- 4 REFERENCE APPLICATION SPEC 114-1103 FOR  
RECOMMENDED PLATED THRU HOLE DIAMETER AND  
PLATING THICKNESS.
- 5 CURRENT RATING 10A/CONTACT PER PRODUCT SPEC 108-1651.



RECOMMENDED PCB HOLE LAYOUT

THIS DRAWING IS A CONTROLLED DOCUMENT.		DIN B. CARBO	10DEC04	Tyco Electronics Corporation Harrisburg, Pa 17105-3608
DIMENSIONS: mm		CHK R. PATTERSON	10DEC04	
TOLERANCES UNLESS OTHERWISE SPECIFIED:		APP'D R. PATTERSON	10DEC04	NAME
0. PLC	± -	PRODUCT SPEC		
1. PLC	± -	APPLICATION SPEC		
2. PLC	± 0.13	SIZE		
3. PLC	± -	CAGE CODE		
4. PLC	± -	DRAWING NO		
ANGLES	± -	RESTRICTED TO		
MATERIAL	FINISH	WEIGHT	A1 00779	5223967
CUSTOMER DRAWING		SCALE	10:1	SHEET 1 of 1