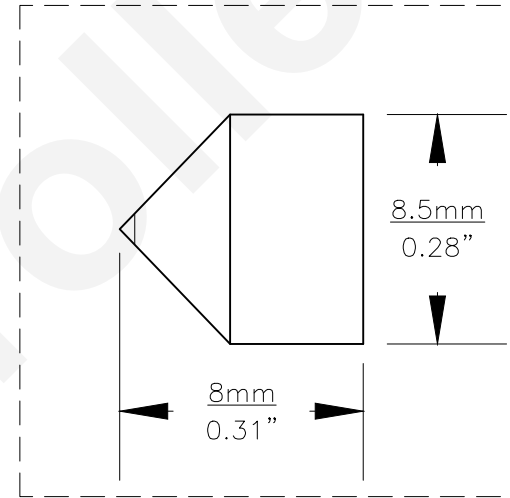
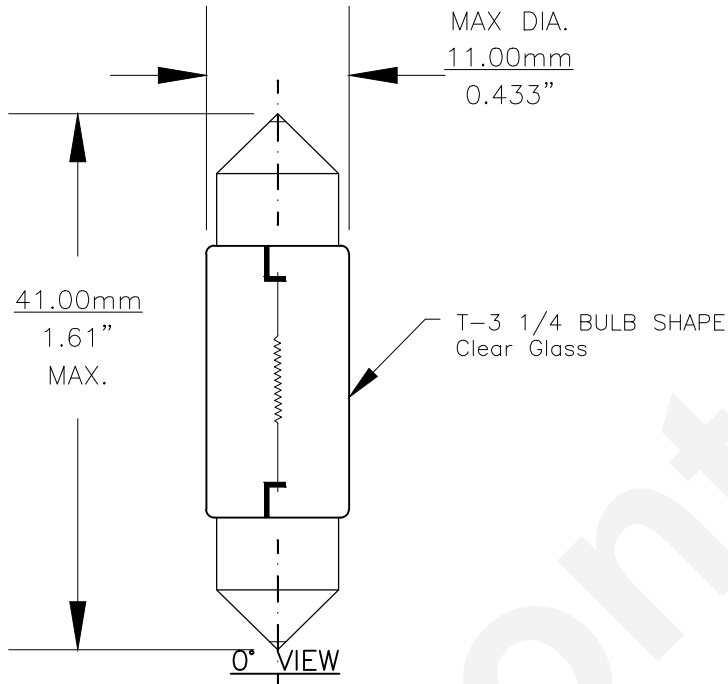
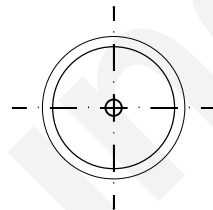




PART NO.	BASE TYPE	DESIGN VOLTS	DESIGN AMPS	MSCD	FILAMENT TYPE	AVERAGE LIFE HOURS	REVISIONS			
							REV #	DESCRIPTION	DATE	APPROVED
6413	FESTOON CAP (SV8.5-8)	12.0V	0.42±15%	4.0±20%	C-8	200	1	ISSUED	07/11/2001	E.S.
							2	SPECIFICATION UPDATED	05/21/2009	M.L.



BASE DIMENSIONS



BASE BOTTOM VIEW



Note: Made according to SAE specifications

UNLESS OTHERWISE SPECIFIED: DIMENSIONS ARE IN INCHES TOLERANCES		CEC INDUSTRIES LTD			
DECIMALS .XX ± .05		599 BOND STREET		LINCOLNSHIRE, IL 60069	
ANGULAR .XXX ± .010		TITLE LIGHT BULB NO. 6413			
FRACTIONAL ±1/64		DATE 07/11/2001	SIZE A	DWG NO. 6413	REV 2
DRAWN ELIZABETH SONANES	CHECKED	DESIGN	SCALE	PLOT SCALE	SHEET 1 OF 1
MATERIAL		FILE 6413.pdf	DRAWING NOT TO SCALE		