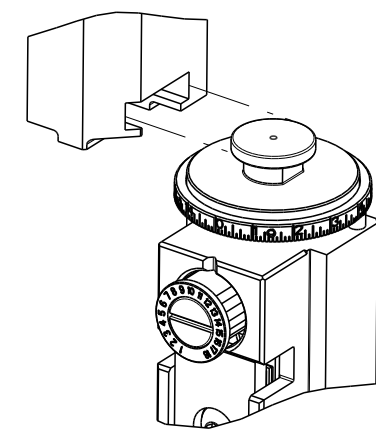


| PART NUMBER | REVISION | DESCRIPTION                      | FEED TYPE  |
|-------------|----------|----------------------------------|------------|
| 2150294-1   | G        | FINE CRIMP HEIGHT ADJUST         | MECHANICAL |
| 2150294-2   | G        | FINE CRIMP HEIGHT ADJUST         | PNEUMATIC  |
| 7-2150294-1 | G        | MECHANICAL AND CRIMP TOOLING KIT | MECHANICAL |
| 7-2150294-2 | G        | PNEUMATIC AND CRIMP TOOLING KIT  | PNEUMATIC  |
| 7-2150294-7 | C        | CRIMP TOOLING KIT                | -          |

ATLANTIC VERSION TERMINATOR INTERFACE ADAPTER



| APPLICATOR DATA                |                |      |
|--------------------------------|----------------|------|
| CRIMP                          | SIZE           | TYPE |
| WIRE                           | 2.79 mm [.110] | F    |
| INSUL                          | 4.57 mm [.180] | F    |
| APPL INSTRUCTIONS<br>408-35043 |                |      |

| TERMINAL DATA: TE TERMINAL TE CRIMP SPECIFICATION |             |                              |             |
|---|-------------|------------------------------|-------------|
| TERMINAL NAME: RECEPTACLE, SHUR PLUG, .156 DIA    |             |                              |             |
| WIRE STRIP LENGTH                                 |             | INSULATION DIAMETER RANGE    |             |
| .148-.163 IN [3.75-4.13 mm]                       |             | Ø.130-.175 IN [3.30-4.45 mm] |             |
| TERMINAL APPLICATION SPECIFICATION                | 114-2042    |                              |             |
| TERMINALS APPLIED                                 |             |                              |             |
| TE TERMINAL                                       | TE TERMINAL | TE TERMINAL                  | TE TERMINAL |
| 42308-1   | 42142-2     | 63865-1                      |             |
| 42142-1   | 42142-4     | 1742823-1                    |             |

| WIRE SIZE | CRIMP HEIGHT mm [INCH]     | CRIMP HEIGHT REFERENCE SETTING |
|-----------|----------------------------|--------------------------------|
| 14 AWG    | 1.78+/-0.05 [.070+/-0.002] | 4.2                            |
| 16 AWG    | 1.55+/-0.05 [.061+/-0.002] | 6.5                            |
| 18 AWG    | 1.42+/-0.05 [.056+/-0.002] | 7.5                            |

- 1 RECOMMENDED SPARE PARTS
- 2 REFER TO SUPPLIED INSTRUCTION SHEET FOR CLEANING, LUBRICATION AND STORAGE OF APPLICATOR.
- 3 APPLY PART NUMBER 2-23419-6 LOCTITE TO THREADS OF ITEM 242. APPLY PART NUMBER 1-23419-5 LOCTITE TO THREADS OF ITEM 50.
- 4 CRIMP HEIGHT REFERENCE SETTING WAS THE SETTING USED WHEN THE APPLICATOR WAS QUALIFIED AT THE FACTORY. ADJUSTMENT MAY BE NECESSARY WHEN RUNNING APPLICATOR IN THE FIELD.
- 5 TERMINAL LUBRICANT IS RECOMMENDED.
- 6. UNLESS SPECIFIED OTHERWISE TORQUE VALUES SHALL BE USED PER DOCUMENT, 101-35000.
- 7 GUIDE OFF OF INSULATION BARREL.

**\*WARNING**  
ON INSTALLATION, SET WIRE DISC TO CRIMP HEIGHT REFERENCE SETTING FOR LARGEST WIRE SIZE. CRIMP HEIGHT REFERENCE SETTINGS GREATER THAN THE VALUE SHOWN MAY CAUSE DAMAGE TO THE CRIMP TOOLING. REFER TO THE INSTRUCTION SHEET FOR PROPER SETUP AND ADJUSTMENTS.

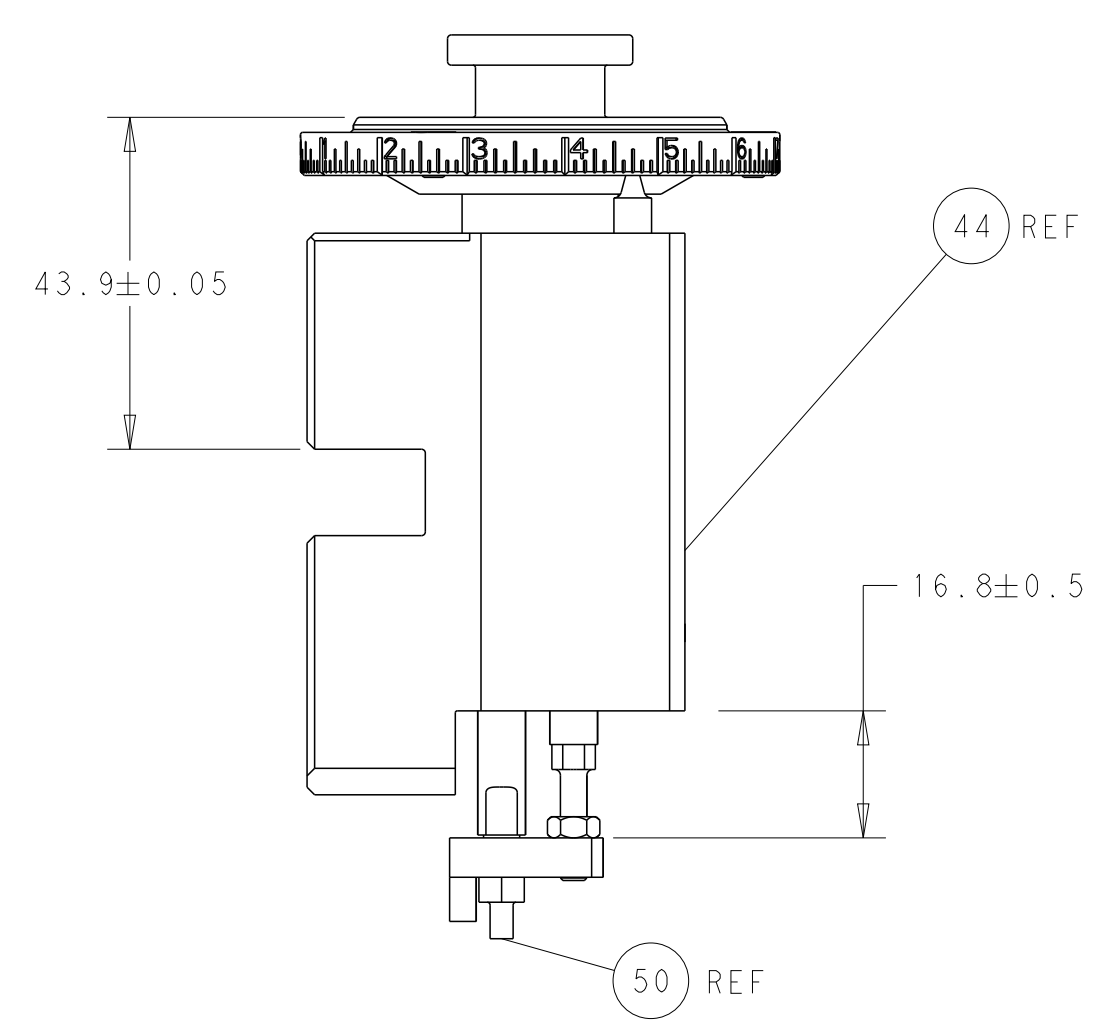
ATLANTIC VERSION  
Shown on sheets 1 of 4 & 2 of 4  
(Pacific version shown on sheets 3 of 4 & 4 of 4)

| LOC | DIST | REVISIONS |     |               |           |     |      |
|-----|------|-----------|-----|---------------|-----------|-----|------|
| A   | 66   | P         | LTN | DESCRIPTION   | DATE      | OWN | APVD |
|     |      | D         |     | ECR-17-007026 | 15MAY2017 | TB  | GB   |
|     |      | E         |     | ECR-18-018054 | 17NOV2018 | TB  | CT   |
|     |      | F         |     | ECR-18-020114 | 28DEC2018 | MEH | GB   |
|     |      | G         |     | ECR-20-016528 | 19NOV2020 | TB  | RK   |

|   |     |     |     |     |               |                                     |         |
|---|-----|-----|-----|-----|---------------|-------------------------------------|---------|
| - | 1   | 1   | 1   | 1   | 2119791-9     | DEPRESSOR, WIRE                     | 286     |
| - | 1   | -   | 1   | -   | 2119641-1     | FEED CAM, AIR FEED                  | 248     |
| - | 1   | 1   | 1   | 1   | 2119082-6     | CAM, SNAIL, INSULATION ADJUSTMENT   | 244     |
| - | 1   | 1   | 1   | 1   | 2079764-1     | WASHER, WAVE SPRING, CREST-TO-CREST | 243     |
| 3 | -   | 1   | 1   | 1   | 2119083-1     | RETAINER, INSULATION DIAL           | 242     |
| - | -   | 1   | -   | 1   | 2119580-1     | MECHANICAL FEED ASSEMBLY            | 239     |
| - | 1   | -   | 1   | -   | 2844940-3     | AIR FEED MODULE                     | 238     |
| - | 1   | 1   | 1   | 1   | 6-993111-6    | PIN, SLOTTED SPRING 3.0 X 14.0      | 177     |
| - | 1   | 1   | 1   | 1   | 8-22280-7     | SPRING, COMPRESSION                 | 176     |
| - | 1   | 1   | 1   | 1   | 1752353-2     | GUIDE PIN,HOLDDOWN                  | 175     |
| - | 1   | 1   | 1   | 1   | 1901680-2     | GUIDE PIN,HOLDDOWN                  | 174     |
| - | REF | REF | REF | REF | 994970-2      | COUNTER, MAGNETIC                   | 164     |
| 5 | -   | 1   | 1   | 1   | 2119955-2     | ASSY, LUBRICATOR, END FEED          | 84      |
| - | 1   | 1   | 1   | 1   | 455888-5      | SPACER, CRIMPER                     | 82      |
| - | 1   | 1   | 1   | 1   | 1803203-1     | BLOCK, FRONT DEPRESSOR              | 77      |
| - | 1   | 1   | 1   | 1   | 2119791-5     | DEPRESSOR, WIRE                     | 73      |
| - | 1   | 1   | 1   | 1   | 1803607-4     | DOCUMENTATION PACKAGE               | 71      |
| - | 2   | 2   | 2   | 2   | 2-18032-2     | SCR, SET, FLT PNT, M3 X 10.0        | 70      |
| - | 1   | 1   | 1   | 1   | 2119943-1     | WASHER, SPACER                      | 69      |
| - | 1   | 1   | 1   | 1   | 2119740-1     | TAG, IDENTIFICATION                 | 67      |
| - | 2   | 2   | 2   | 2   | 2168078-1     | SCREW, DRIVE, RH, RoHS, 2 x .188    | 66      |
| - | 1   | 1   | 1   | 1   | 1901681-5     | HOLDDOWN, TERMINAL                  | 65      |
| - | 1   | 1   | 1   | 1   | 2168083-2     | SCR, SKT HD CAP, RoHS, M4 X 8.0     | 60      |
| - | 1   | 1   | 1   | 1   | 5-18022-5     | SCR, HEX HD CAP, M4 X 6.0           | 59      |
| - | -   | 1   | -   | 1   | 2063961-9     | FEED FINGER                         | 58      |
| - | 4   | 4   | 4   | 4   | 2168400-4     | SHCS, LOW HEAD, RoHS, M4 X 8        | 57      |
| - | 2   | 2   | 2   | 2   | 1-2168083-0   | SCR, SKT HD CAP, RoHS, M4 X 10      | 56      |
| - | 2   | 2   | 2   | 2   | 5018030-1     | NUT, HEX, REG, RoHS, M3             | 54      |
| - | 2   | 2   | 2   | 2   | 986965-8      | NUT, LOCK, HEX, TORQUE (M4)         | 53      |
| - | 1   | 1   | 1   | 1   | 1-5018030-0   | NUT, HEX, REG, RoHS, M3.5           | 52      |
| - | 1   | -   | 1   | -   | 2063961-9     | FEED FINGER                         | 51      |
| 3 | -   | 1   | 1   | 1   | 1-1976055-7   | STANDOFF, HOLD-DOWN                 | 50      |
| - | 1   | 2   | 1   | 2   | 18023-9       | SCR, SKT HD CAP M4 X 6.0            | 49      |
| - | -   | 1   | -   | 1   | 2119652-1     | FEED CAM, PRE FEED                  | 48      |
| - | -   | 1   | -   | 1   | 2119653-1     | FEED CAM, POST FEED                 | 47      |
| - | 1   | 1   | 1   | 1   | 2119655-5     | APPLICATOR BASIC ASSEMBLY, EF       | 46      |
| - | 1   | 1   | 1   | 1   | 1803517-1     | RAM ASSEMBLY, EF ATLANTIC           | 44      |
| - | 1   | 1   | 1   | 1   | 1803602-1     | SCR, BHSC, RoHS (M8 X 25)           | 41      |
| - | 8   | 8   | 8   | 8   | 1-18028-2     | WASHER, FLAT, REG M4                | 33      |
| - | 2   | 2   | 2   | 2   | 2168083-9     | SCR, SKT HD CAP, RoHS, M4 X 20      | 31      |
| - | 2   | 2   | 2   | 2   | 2168083-2     | SCR, SKT HD CAP, RoHS, M4 X 8.0     | 29      |
| - | 1   | 1   | 1   | 1   | 240639-1      | STRIPPER (MACHINING)                | 27      |
| - | 2   | 2   | 2   | 2   | 1-2168083-5   | SCR, SKT HD CAP, RoHS, M4 X 30      | 25      |
| - | 1   | 1   | 1   | 1   | 1752371-5     | PLATE, STRIP GUIDE                  | 24      |
| - | 2   | 2   | 2   | 2   | 2-22281-3     | SPRING, COMPRESSION                 | 22      |
| - | 1   | 1   | 1   | 1   | 1803292-1     | DRAG                                | 20      |
| - | 2   | 2   | 2   | 2   | 1901259-7     | GUIDE, LOWER STRIP                  | 18      |
| - | 4   | 4   | 4   | 4   | 1-2079383-1   | SCR, BHSC, RoHS (M6 X 12)           | 17      |
| - | 1   | 1   | 1   | 1   | 5-240641-2    | SPACER                              | 16      |
| - | 1   | 1   | 1   | 1   | 1752360-1     | SPACER,HOLD-DOWN                    | 13      |
| 1 | -   | 1   | 1   | 1   | 240644-1      | PLATE, REAR SHEAR                   | 11      |
| - | -   | -   | -   | -   | -             | -                                   | 10      |
| 1 | -   | 1   | 1   | 1   | 690482-4      | PLATE, FRONT SHEAR                  | 9       |
| 1 | 1   | 2   | 2   | 1   | 1803060-2     | ANVIL, COMBINATION, END FEED        | 8       |
| 1 | -   | 1   | 1   | 1   | 1-2217206-0   | BLADE, SLUG                         | 7       |
| - | 1   | 1   | 1   | 1   | 3-240641-7    | SPACER                              | 5       |
| - | 1   | 1   | 1   | 1   | 238011-2      | BLOCK, CRIMPER SPACER               | 4       |
| 1 | 1   | 2   | 2   | 1   | 4-1633962-1   | CRIMPER, INSULATION F PREMIUM       | 3       |
| - | 1   | 1   | 1   | 1   | 455888-1      | SPACER, CRIMPER                     | 2       |
| 1 | 1   | 2   | 2   | 1   | 6-1633860-7   | CRIMPER, WIRE                       | 1       |
|   |     |     |     |     | -77-72-71-2-1 | PART NO                             | ITEM NO |

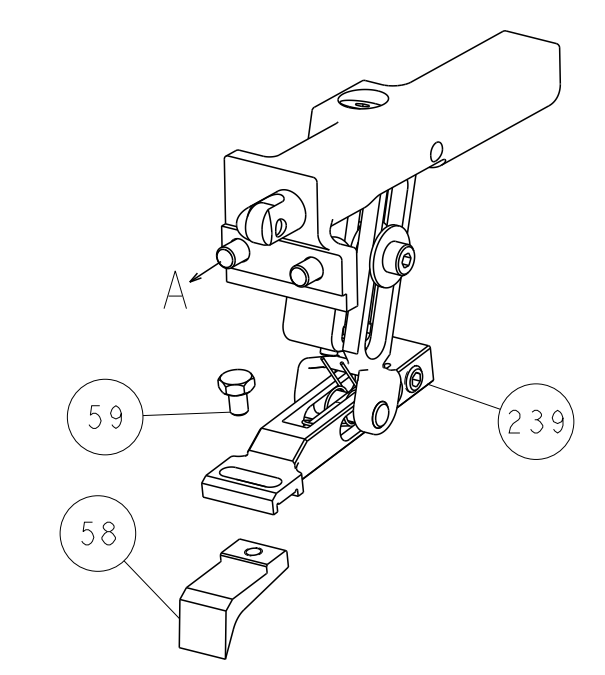
| DIMENSIONS:       |          | TOLERANCES UNLESS OTHERWISE SPECIFIED: |         | MATERIAL:                              |         |
|-------------------|----------|--|---------|--|---------|
| mm                | 0 PLC ±  | 1 PLC ±                                | 2 PLC ± | 3 PLC ±                                | 4 PLC ± |
|                   | ANGLES ± | FINISH ±                               |         |  |         |
| DRAWING NO: 00779 |          | DRAWING NO: 2150294                    |         | SCALE: 1:1                             |         |
| SHEET 1 OF 4      |          | REV G                                  |         | Customer Accessible Production Drawing |         |

| LOC | DIST | REV | DESCRIPTION | DATE | OWN | APVD |
|-----|------|-----|-------------|------|-----|------|
| A   | 66   |     | SEE SHEET 1 |      |     |      |

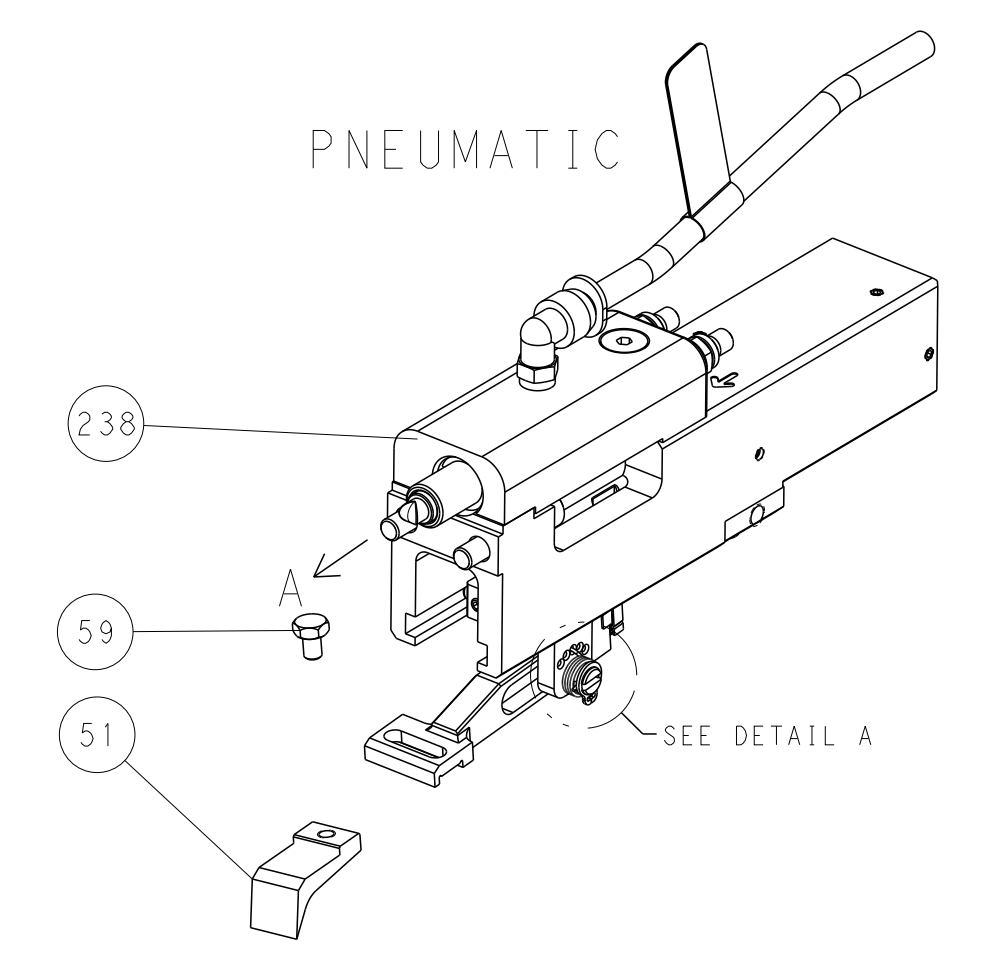


RAM AND HOLDDOWN SET-UP

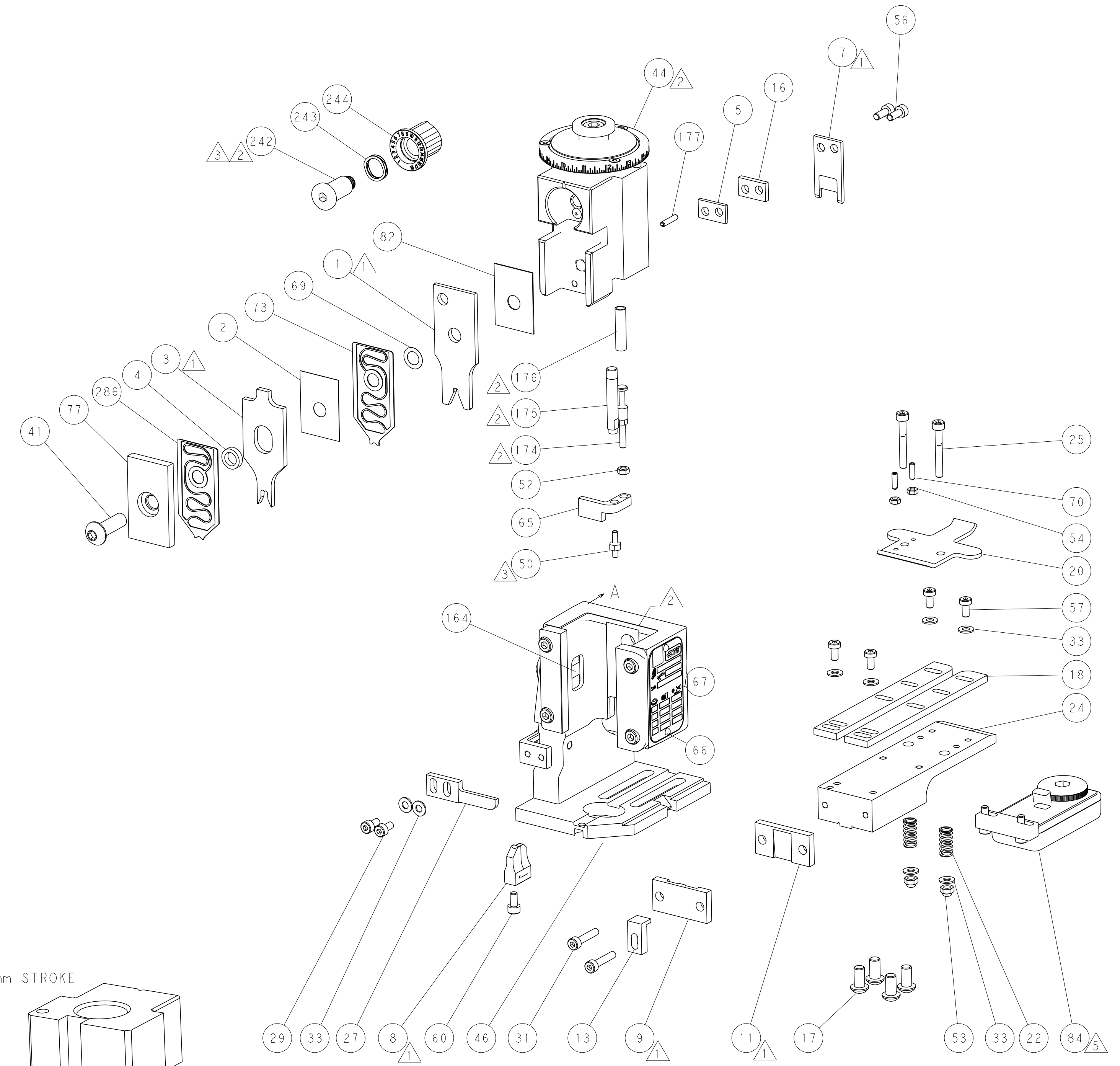
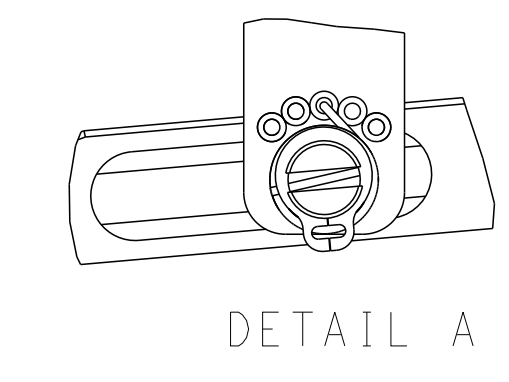
FEED TYPE  
MECHANICAL



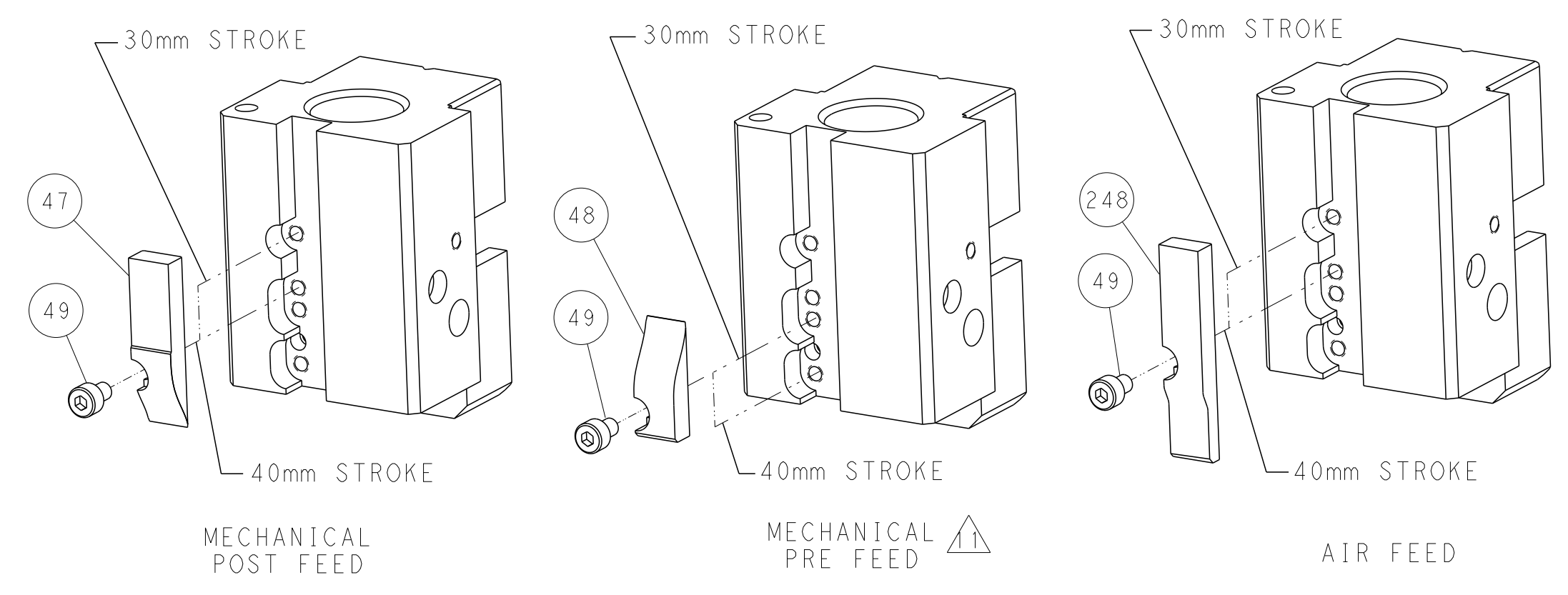
PNEUMATIC



FEED SPRING  
SETTING POSITION



CAM POSITIONS

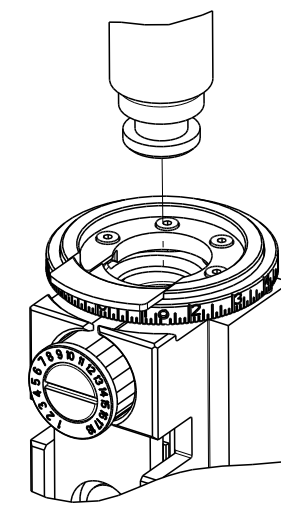


ATLANTIC VERSION  
 Shown on sheets 1 of 4 & 2 of 4  
 (Pacific version shown on sheets 3 of 4 & 4 of 4)

|  |  |   |  |   |  |   |  |               |  |
|--|--|---|--|---|--|---|--|---------------|--|
| DIMENSIONS:<br>mm<br>                              |  | TOLERANCES UNLESS OTHERWISE SPECIFIED:<br>0 PLC ±<br>1 PLC ±<br>2 PLC ±<br>3 PLC ±<br>4 PLC ±<br>ANGLES ±<br>FINISH |  | DWN R. STAKEM 10OCT2012<br>CHK G. BAILEY 10OCT2012<br>APVD T. ERLIN 10OCT2012<br>PRODUCT SPEC<br>APPLICATION SPEC<br>WEIGHT<br>Customer Accessible Production Drawing |  | NAME Ocean End Feed Applicator<br>SIZE CAGE CODE DRAWING NO. A1 00779 ©=2150294<br>SCALE 1:1 SHEET 2 OF 4 REV G |  | RESTRICTED TO |  |
| SHEETS 3 & 4 ARE NOT REQUIRED FOR ATLANTIC VERSION |  |   |  |   |  |   |  |               |  |

| PART NUMBER | REVISION | DESCRIPTION              | FEED TYPE  |
|-------------|----------|--------------------------|------------|
| 2-2150294-1 | G        | FINE CRIMP HEIGHT ADJUST | MECHANICAL |
| 2-2150294-2 | G        | FINE CRIMP HEIGHT ADJUST | PNEUMATIC  |
| 7-2150294-7 | C        | CRIMP TOOLING KIT        | -          |

PACIFIC VERSION TERMINATOR  
INTERFACE ADAPTER



| APPLICATOR DATA                |                |      |
|--------------------------------|----------------|------|
| CRIMP                          | SIZE           | TYPE |
| WIRE                           | 2.79 mm [.110] | F    |
| INSUL                          | 4.57 mm [.180] | F    |
| APPL INSTRUCTIONS<br>408-35043 |                |      |

| TERMINAL DATA: TE TERMINAL                       |             | TE CRIMP SPECIFICATION                                    |             |
|--|-------------|---|-------------|
| TERMINAL NAME: RECEPTACLE, SHUR PLUG, .156 DIA   |             |   |             |
| WIRE STRIP LENGTH<br>.148-.163 IN [3.75-4.13 mm] |             | INSULATION DIAMETER RANGE<br>Ø.130-.175 IN [3.30-4.45 mm] |             |
| TERMINAL APPLICATION SPECIFICATION               | 114-2042    | -   | -           |
| TERMINALS APPLIED                                |             |   |             |
| TE TERMINAL                                      | TE TERMINAL | TE TERMINAL   | TE TERMINAL |
| 42308-1  | 42142-2     | 63865-1   |             |
| 42142-1  | 42142-4     | 1742823-1   |             |

| WIRE SIZE | CRIMP HEIGHT mm [INCH]        | CRIMP HEIGHT REFERENCE SETTING |
|-----------|-------------------------------|--------------------------------|
| 14 AWG    | 1.78 +/- 0.05 [.070 +/- .002] | 4.2                            |
| 16 AWG    | 1.55 +/- 0.05 [.061 +/- .002] | 6.5                            |
| 18 AWG    | 1.42 +/- 0.05 [.056 +/- .002] | 7.5                            |

- RECOMMENDED SPARE PARTS
- REFER TO SUPPLIED INSTRUCTION SHEET FOR CLEANING, LUBRICATION AND STORAGE OF APPLICATOR.
- APPLY PART NUMBER 2-23419-6 LOCTITE TO THREADS OF ITEM 242. APPLY PART NUMBER 1-23419-5 LOCTITE TO THREADS OF ITEM 50.
- CRIMP HEIGHT REFERENCE SETTING WAS THE SETTING USED WHEN THE APPLICATOR WAS QUALIFIED AT THE FACTORY. ADJUSTMENT MAY BE NECESSARY WHEN RUNNING APPLICATOR IN THE FIELD.
- TERMINAL LUBRICANT IS RECOMMENDED.
- 6. UNLESS SPECIFIED OTHERWISE TORQUE VALUES SHALL BE USED PER DOCUMENT, 101-35000.
- GUIDE OFF OF INSULATION BARREL.

**\*WARNING**  
ON INSTALLATION, SET WIRE DISC TO CRIMP HEIGHT REFERENCE SETTING FOR LARGEST WIRE SIZE. CRIMP HEIGHT REFERENCE SETTINGS GREATER THAN THE VALUE SHOWN MAY CAUSE DAMAGE TO THE CRIMP TOOLING. REFER TO THE INSTRUCTION SHEET FOR PROPER SETUP AND ADJUSTMENTS.

| LOC | DIST | REVISIONS |     |             |      |     |      |
|-----|------|-----------|-----|-------------|------|-----|------|
| A   | 66   | P         | LTN | DESCRIPTION | DATE | DWN | APVD |
| -   | -    | -         | -   | SEE SHEET 1 | -    | -   | -    |

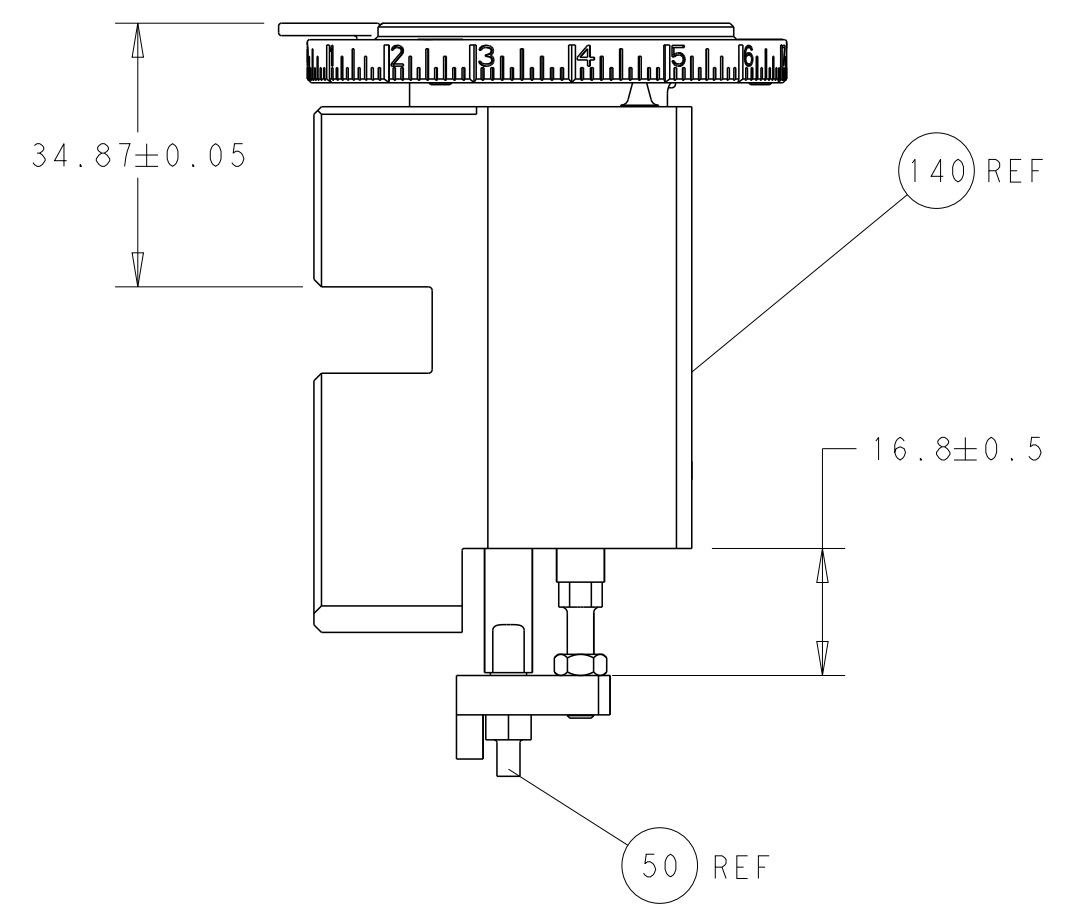
|   |     |     |             |                                     |             |         |
|---|-----|-----|-------------|-------------------------------------|-------------|---------|
| - | 1   | 1   | 2119791-9   | DEPRESSOR, WIRE                     | 286         |         |
| - | 1   | 1   | 2119082-6   | CAM, SNAIL, INSULATION ADJUSTMENT   | 244         |         |
| - | 1   | 1   | 2079764-1   | WASHER, WAVE SPRING, CREST-TO-CREST | 243         |         |
| - | 1   | 1   | 2119083-1   | RETAINER, INSULATION DIAL           | 242         |         |
| - | -   | 1   | 2119580-1   | MECHANICAL FEED ASSEMBLY            | 239         |         |
| - | 1   | -   | 2844940-3   | AIR FEED MODULE                     | 238         |         |
| - | 4   | 4   | 2079383-9   | SCR, BHSC, RoHS (M6 X 20)           | 186         |         |
| - | 1   | 1   | 6-993111-6  | PIN, SLOTTED SPRING 3.0 X 14.0      | 177         |         |
| - | 1   | 1   | 8-22280-7   | SPRING, COMPRESSION                 | 176         |         |
| - | 1   | 1   | 1752353-2   | GUIDE PIN,HOLDDOWN                  | 175         |         |
| - | 1   | 1   | 1901680-2   | GUIDE PIN,HOLDDOWN                  | 174         |         |
| - | REF | REF | 994970-2    | COUNTER, MAGNETIC                   | 164         |         |
| - | 1   | -   | 2119641-2   | FEED CAM, AIR FEED                  | 152         |         |
| - | 1   | 1   | 2168083-8   | SCR, SKT HD CAP, RoHS, M4 X 16      | 144         |         |
| - | -   | 1   | 2119653-2   | FEED CAM, POST FEED                 | 142         |         |
| - | 1   | 1   | 2119655-6   | APPLICATOR BASIC ASSEMBLY, EF       | 141         |         |
| - | 1   | 1   | 1803518-1   | RAM ASSEMBLY, EF PACIFIC            | 140         |         |
| - | 1   | 1   | 2119955-2   | ASSY, LUBRICATOR, END FEED          | 84          |         |
| - | 1   | 1   | 455888-5    | SPACER, CRIMPER                     | 82          |         |
| - | 1   | 1   | 1803203-1   | BLOCK, FRONT DEPRESSOR              | 77          |         |
| - | 1   | 1   | 2119791-5   | DEPRESSOR, WIRE                     | 73          |         |
| - | 1   | 1   | 1803607-4   | DOCUMENTATION PACKAGE               | 71          |         |
| - | 2   | 2   | 2-18032-2   | SCR, SET, FLT PNT, M3 X 10.0        | 70          |         |
| - | 1   | 1   | 2119943-1   | WASHER, SPACER                      | 69          |         |
| - | 1   | 1   | 2119740-1   | TAG,IDENTIFICATION                  | 67          |         |
| - | 2   | 2   | 2168078-1   | SCREW, DRIVE, RH, RoHS, 2 x .188    | 66          |         |
| - | 1   | 1   | 1901681-5   | HOLDDOWN, TERMINAL                  | 65          |         |
| - | 1   | 1   | 5-18022-5   | SCR, HEX HD CAP, M4 X 6.0           | 59          |         |
| - | -   | 1   | 2063961-9   | FEED FINGER                         | 58          |         |
| - | 4   | 4   | 2168400-4   | SHCS, LOW HEAD, RoHS, M4 X 8        | 57          |         |
| - | 2   | 2   | 1-2168083-0 | SCR, SKT HD CAP, RoHS, M4 X 10      | 56          |         |
| - | 2   | 2   | 5018030-1   | NUT, HEX, REG, RoHS, M3             | 54          |         |
| - | 2   | 2   | 986965-8    | NUT, LOCK, HEX, TORQUE (M4)         | 53          |         |
| - | 1   | 1   | 1-5018030-0 | NUT, HEX, REG, RoHS, M3.5           | 52          |         |
| - | 1   | -   | 2063961-9   | FEED FINGER                         | 51          |         |
| - | 1   | 1   | 1-1976055-7 | STANDOFF, HOLD-DOWN                 | 50          |         |
| - | 1   | 2   | 18023-9     | SCR, SKT HD CAP M4 X 6.0            | 49          |         |
| - | -   | 1   | 2119652-1   | FEED CAM, PRE FEED                  | 48          |         |
| - | 1   | 1   | 1803602-1   | SCR, BHSC, RoHS (M8 X 25)           | 41          |         |
| - | 8   | 8   | 1-18028-2   | WASHER, FLAT, REG M4                | 33          |         |
| - | 2   | 2   | 2168083-9   | SCR, SKT HD CAP, RoHS, M4 X 20      | 31          |         |
| - | 2   | 2   | 2168083-2   | SCR, SKT HD CAP, RoHS, M4 X 8.0     | 29          |         |
| - | 1   | 1   | 240639-1    | STRIPPER (MACHINING)                | 27          |         |
| - | 2   | 2   | 1-2168083-5 | SCR, SKT HD CAP, RoHS, M4 X 30      | 25          |         |
| - | 1   | 1   | 1752371-5   | PLATE, STRIP GUIDE                  | 24          |         |
| - | 2   | 2   | 2-22281-3   | SPRING, COMPRESSION                 | 22          |         |
| - | 1   | 1   | 1803292-1   | DRAG                                | 20          |         |
| - | 2   | 2   | 1901259-7   | GUIDE, LOWER STRIP                  | 18          |         |
| - | 1   | 1   | 5-240641-2  | SPACER                              | 16          |         |
| - | 1   | 1   | 1752360-1   | SPACER,HOLD-DOWN                    | 13          |         |
| - | 1   | 1   | 240644-1    | PLATE, REAR SHEAR                   | 11          |         |
| - | -   | -   | -           | -                                   | 10          |         |
| - | 1   | 1   | 690482-4    | PLATE, FRONT SHEAR                  | 9           |         |
| 1 | 1   | 1   | 1803060-2   | ANVIL, COMBINATION, END FEED        | 8           |         |
| - | 1   | 1   | 1-2217206-0 | BLADE, SLUG                         | 7           |         |
| - | 1   | 1   | 3-240641-7  | SPACER                              | 5           |         |
| - | 1   | 1   | 238011-2    | BLOCK, CRIMPER SPACER               | 4           |         |
| 1 | 1   | 1   | 4-1633962-1 | CRIMPER, INSULATION F PREMIUM       | 3           |         |
| - | 1   | 1   | 455888-1    | SPACER, CRIMPER                     | 2           |         |
| 1 | 1   | 1   | 6-1633860-7 | CRIMPER, WIRE                       | 1           |         |
| - | 77  | 22  | 21          | PART NO                             | DESCRIPTION | ITEM NO |

PACIFIC VERSION  
Shown on sheets 3 of 4 & 4 of 4  
(Atlantic version shown on sheets 1 of 4 & 2 of 4)

| DIMENSIONS: |         | TOLERANCES UNLESS OTHERWISE SPECIFIED: |         | MATERIAL: |         |
|-------------|---------|--|---------|-----------|---------|
| mm          | 0 PLC ± | 1 PLC ±                                | 2 PLC ± | 3 PLC ±   | 4 PLC ± |
|             | ANGLES  | FINISH                                 |         |           |         |

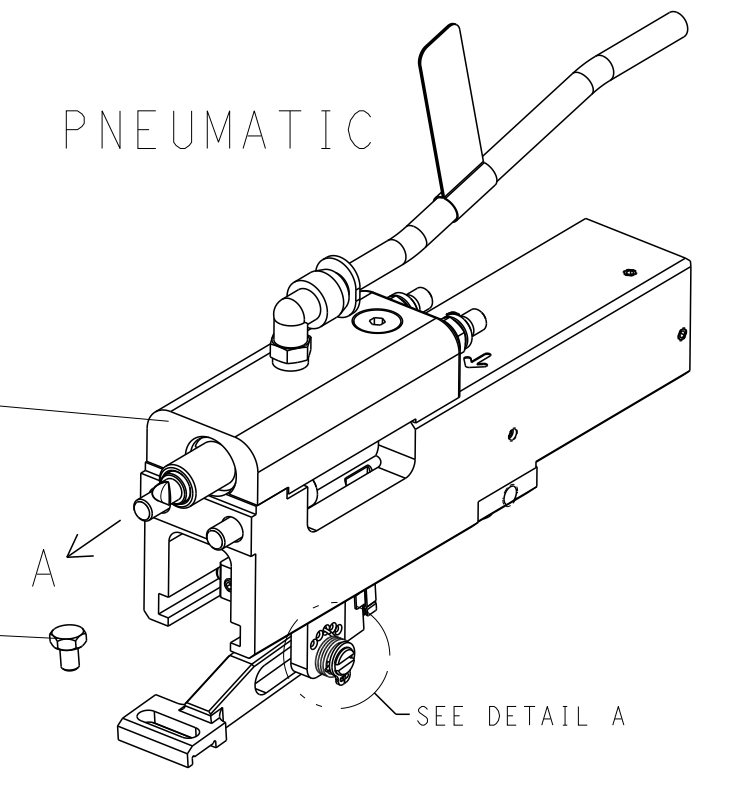
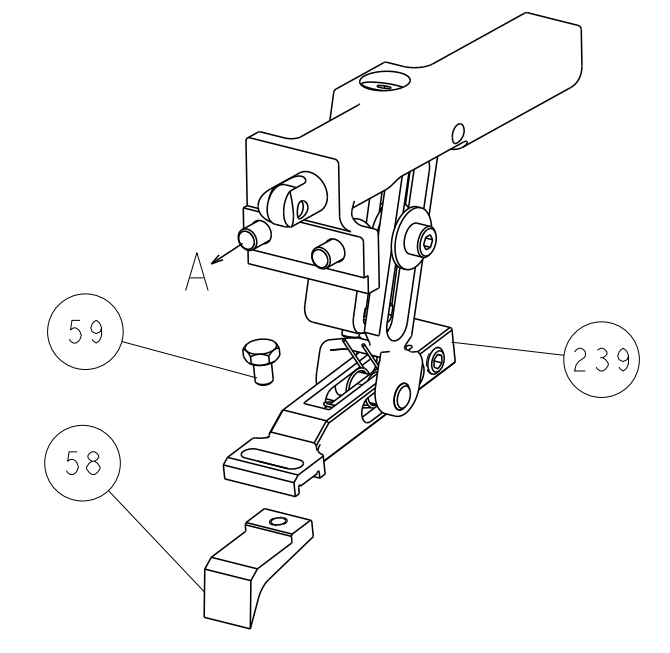
|       |           |           |  |                           |
|-------|-----------|-----------|--|---------------------------|
| DWN   | R. STAKEM | 10OCT2012 | NAME                                   | TE Connectivity           |
| CHK   | G. BAILEY | 10OCT2012 | PRODUCT SPEC                           | Harrisburg, PA 17105-3608 |
| APVD  | T. ELBIN  | 10OCT2012 | APPLICATION SPEC                       |                           |
| SIZE  | A1        | CAGE CODE | 00779                                  | DRAWING NO                |
| SCALE | 1:1       | WEIGHT    | Customer Accessible Production Drawing | REV                       |
| SHEET | 3         | SCALE     | 1:1                                    | REV                       |
| OF    | 4         | SCALE     | 1:1                                    | REV                       |
| REV   | G         | SCALE     | 1:1                                    | REV                       |

| LOC |    | DIST |     | REVISIONS   |      |     |      |
|-----|----|------|-----|-------------|------|-----|------|
| A   | 66 | P    | LTM | DESCRIPTION | DATE | OWN | APVD |
|     |    | -    |     | SEE SHEET 1 |      |     |      |

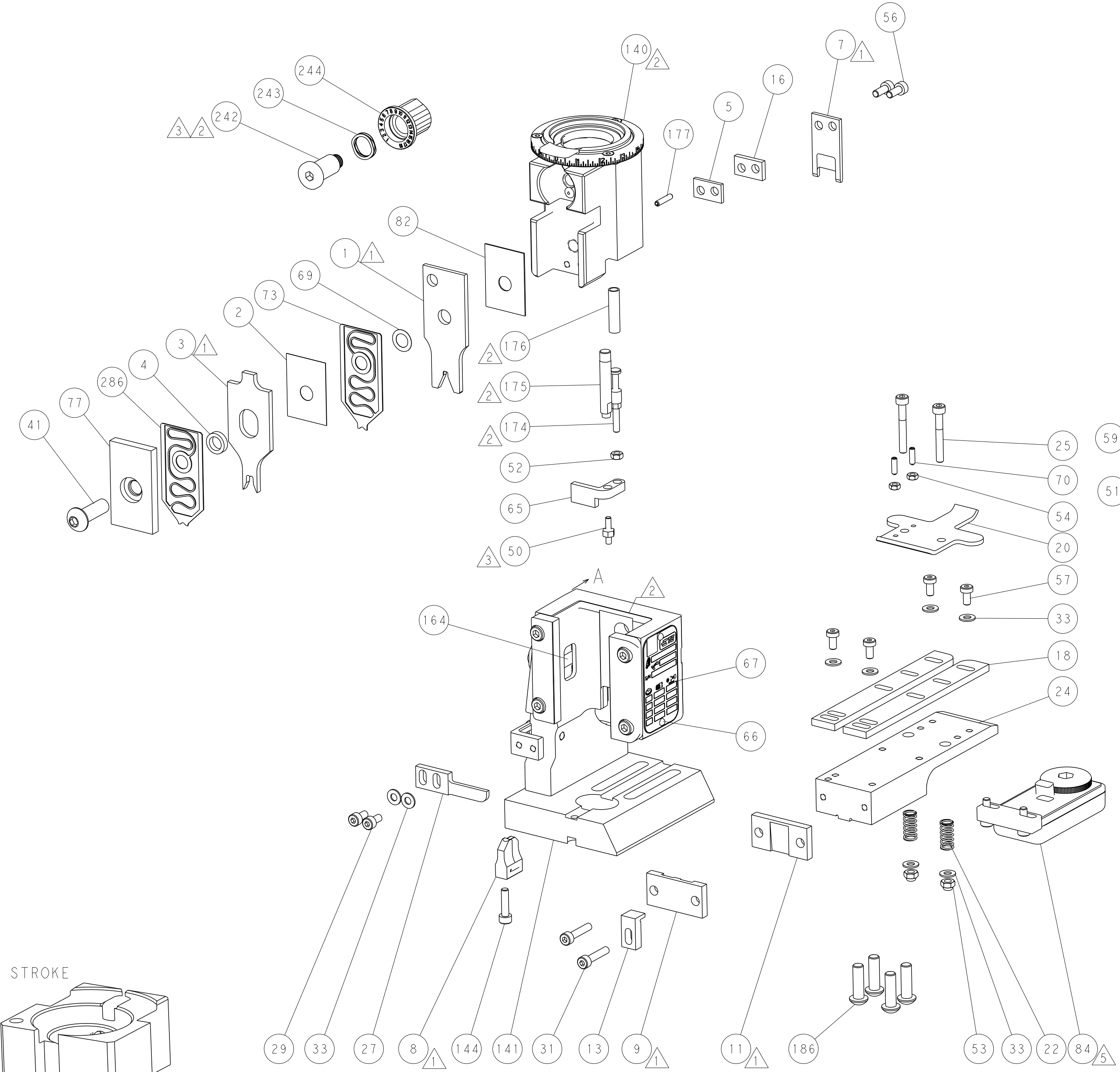
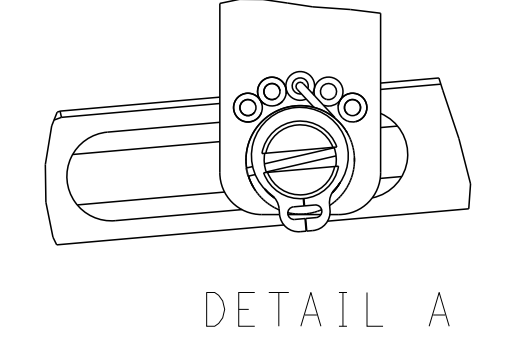


RAM AND HOLDDOWN SET-UP

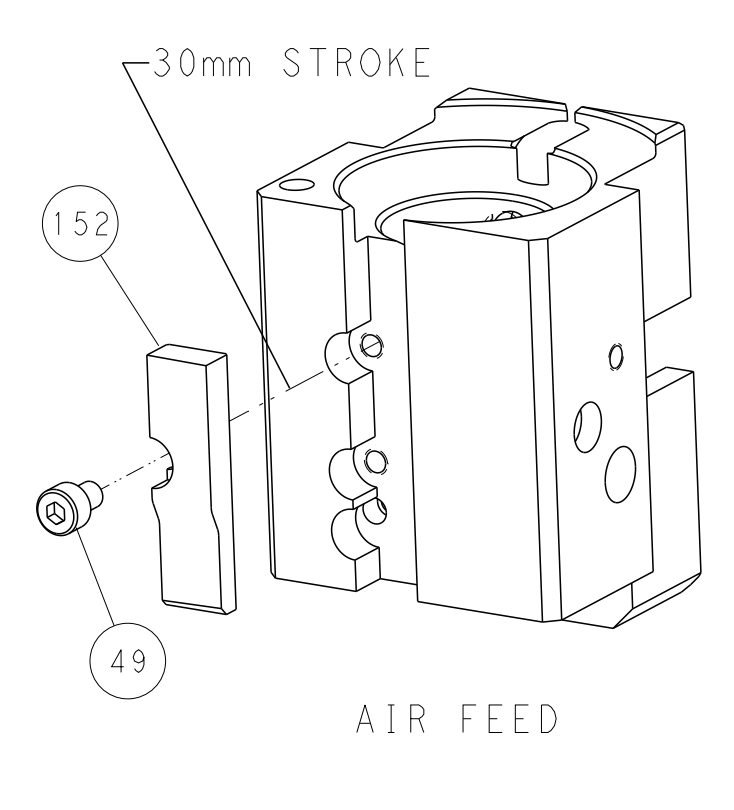
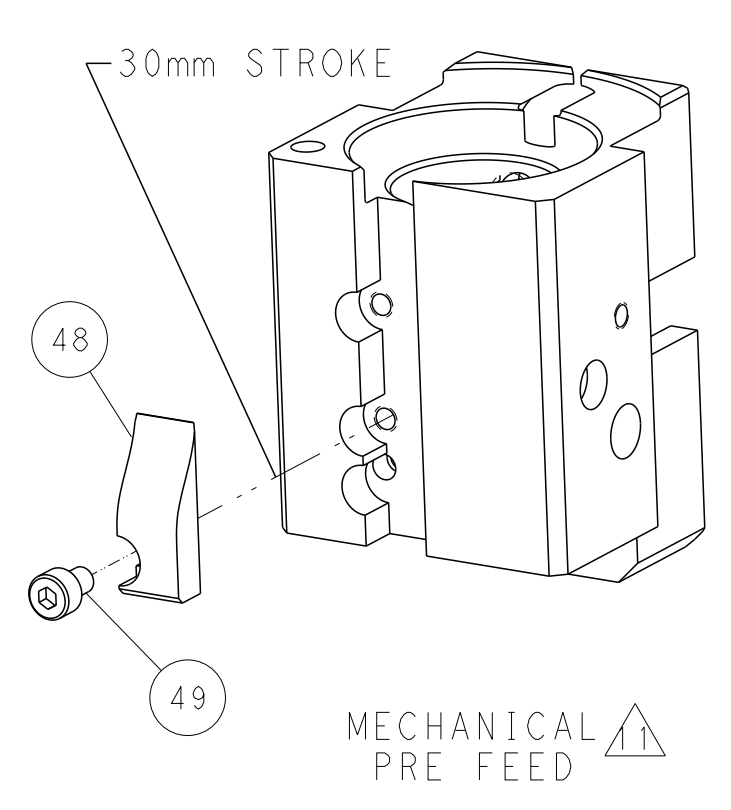
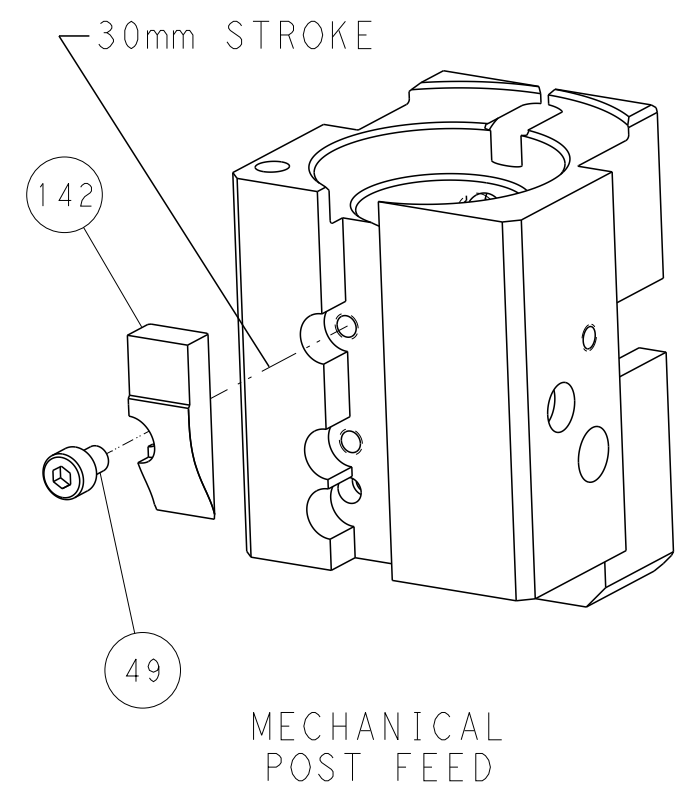
FEED TYPE  
MECHANICAL



FEED SPRING  
SETTING POSITION



CAM POSITIONS



PACIFIC VERSION  
 Shown on sheets 3 of 4 & 4 of 4  
 (Atlantic version shown on sheets 1 of 4 & 2 of 4)

|             |        |  |  |  |           |                          |               |                          |  |                                 |  |
|-------------|--------|--|--|--|-----------|--------------------------|---------------|--------------------------|--|---------------------------------|--|
| DIMENSIONS: |        | TOLERANCES UNLESS OTHERWISE SPECIFIED: |  | DWG: K. STAKEM 10OCT2012               |           | CHK: G. BAILEY 10OCT2012 |               | APVD: T. ERLIN 10OCT2012 |  | NAME: Ocean End Feed Applicator |  |
| mm          | 0 PLC  | ±                                      |  | SIZE                                   | CAGE CODE | DRAWING NO               | RESTRICTED TO |                          |  |                                 |  |
|             | 1 PLC  | ±                                      |  | SCALE                                  | 1:1       | SHEET 4 OF 4             | REV G         |                          |  |                                 |  |
|             | 2 PLC  | ±                                      |  | Customer Accessible Production Drawing |           |                          |               |                          |  |                                 |  |
|             | 3 PLC  | ±                                      |  |  |           |                          |               |                          |  |                                 |  |
|             | 4 PLC  | ±                                      |  |  |           |                          |               |                          |  |                                 |  |
|             | ANGLES | ±                                      |  |  |           |                          |               |                          |  |                                 |  |
|             | FINISH | ±                                      |  |  |           |                          |               |                          |  |                                 |  |