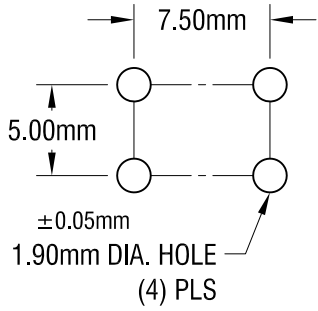
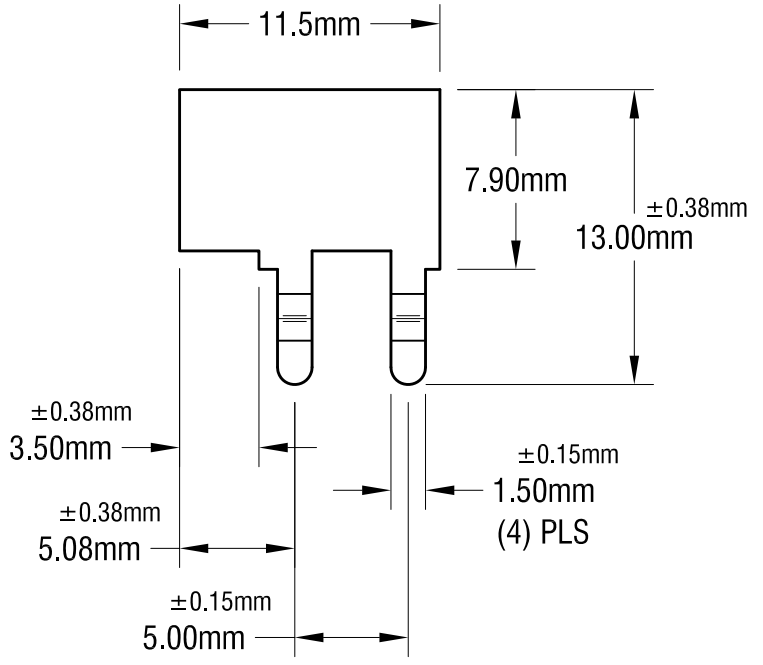
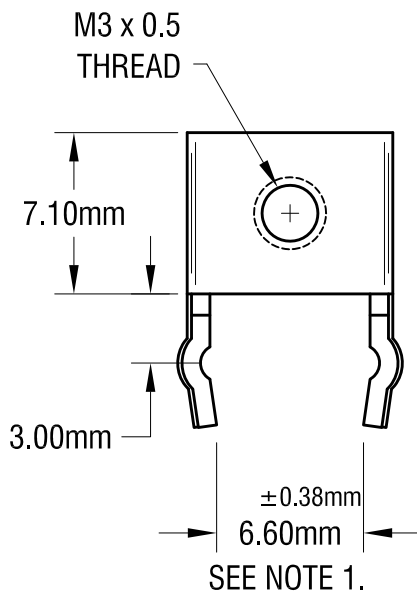
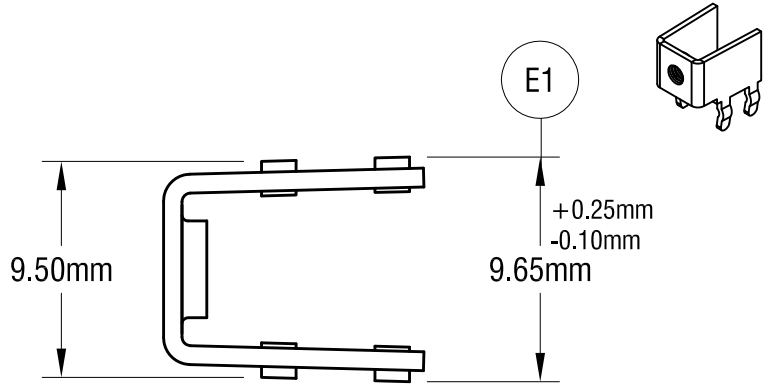


THIS DOCUMENT IS THE PROPERTY OF KEYSTONE ELECTRONICS CORP. AND SHALL NOT BE REPRODUCED, DISTRIBUTED OR USED AS A BASIS FOR MANUFACTURE WITHOUT PRIOR WRITTEN PERMISSION FROM KEYSTONE ELECTRONICS CORP.

MOUNTING DETAIL



ACTUAL SIZE



NOTE:

1. ALL DIMENSIONS ARE IN MILLIMETERS.

10.28.20	WAS 9.50 mm CHANGE AS PER ECN 20-088	E
1.14.16	CHANGE AS PER ECN 16-003	D
7.14.09	CHANGE AS PER ECN 09-101	C
2.1.08	CHANGE AS PER ECN 08-070	B
DATE	DESCRIPTION	REV.

KEYSTONE ELECTRONICS CORP.			
www.keyelco.com • ASTORIA, N.Y. 11105-2017 • Tel (718) 956-8900			
PART NAME		PC METRIC SCREW TERMINAL	
MATERIAL		0.8mm TH'K BRASS	
FINISH		DRN BY	DATE
MATTE TIN PLATE		BOONE	9.27.01
		APP'D	SCALE
TOLERANCES INCH [MM] DECIMAL ± [± 0.25] ANGULAR ± 1° UNLESS OTHERWISE SPECIFIED		LN	3X
		CODE	DWG NO.
		C	7790