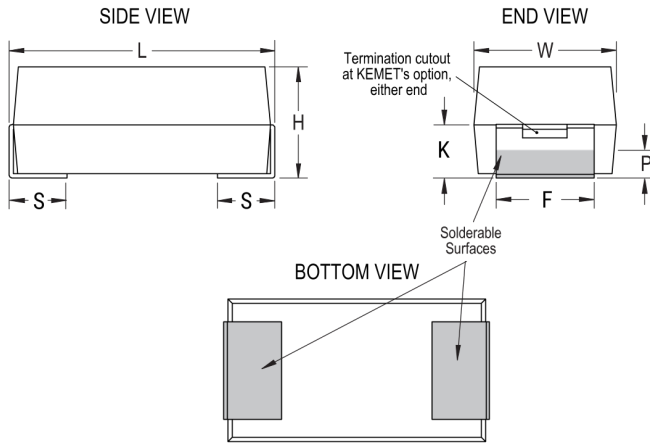


## CWR11HH106KD

Aliases (T492C106K015DH)

T492 CWR11, Tantalum, MnO<sub>2</sub> Tantalum, Military/High Reliability, 10 uF, 10%, 15 VDC, SMD, MnO<sub>2</sub>, Molded, Military Equivalent, D (0.001%/1000 Hrs), 2.5 Ohms, 6032, Height Max = 2.8mm



Click [here](#) for the 3D model.

### Dimensions

Footprint	6032
L	6mm +/-0.3mm
W	3.2mm +/-0.3mm
H	2.5mm +/-0.3mm
T	0.13mm REF
S	1.3mm +/-0.3mm
F	2.2mm +/-0.1mm
B	0.5mm +/-0.15mm
E	2.4mm REF
G	2.8mm REF
K	1mm MIN
P	0.5mm MIN
R	1mm REF
X	0.1mm +/-0.1mm

### Packaging Specifications

Packaging	T&R, 178mm
Packaging Quantity	500

### General Information

Series	T492 CWR11
Dielectric	MnO <sub>2</sub> Tantalum
Style	SMD Chip
Description	SMD, MnO <sub>2</sub> , Molded, Military Equivalent
RoHS	No
Prop 65	<b>⚠ WARNING:</b> Cancer and reproductive harm - <a href="http://www.p65warnings.ca.gov">http://www.p65warnings.ca.gov</a> .
SCIP Number	1dd2e1b8-26dd-4d52-927c-6f9d519011aa
Termination	Solder Coated
Qualifications	MIL-PRF-55365/8, CWR11 Style
AEC-Q200	No
Component Weight	224.2 mg
Notes	Note: When Option C Is Selected For Lead Material, Add An Additional 0.38mm To The Tolerances For "L", "W", "H", "K", "F" And "S".
MSL	1

### Specifications

Capacitance	10 uF
Capacitance Tolerance	10%
Voltage DC	15 VDC (85C), 10.05 VDC (125C)
Temperature Range	-55/+125°C
Rated Temperature	85°C
Dissipation Factor	6% 120Hz 25C
Failure Rate	D (0.001%/1000 Hrs)
Resistance	2.5 Ohms (100kHz 25C)
Ripple Current	210 mA (rms, 100kHz 25C)
Leakage Current	1.5 uA (5min 25°C)
Testing and Reliability	Standard Testing Only