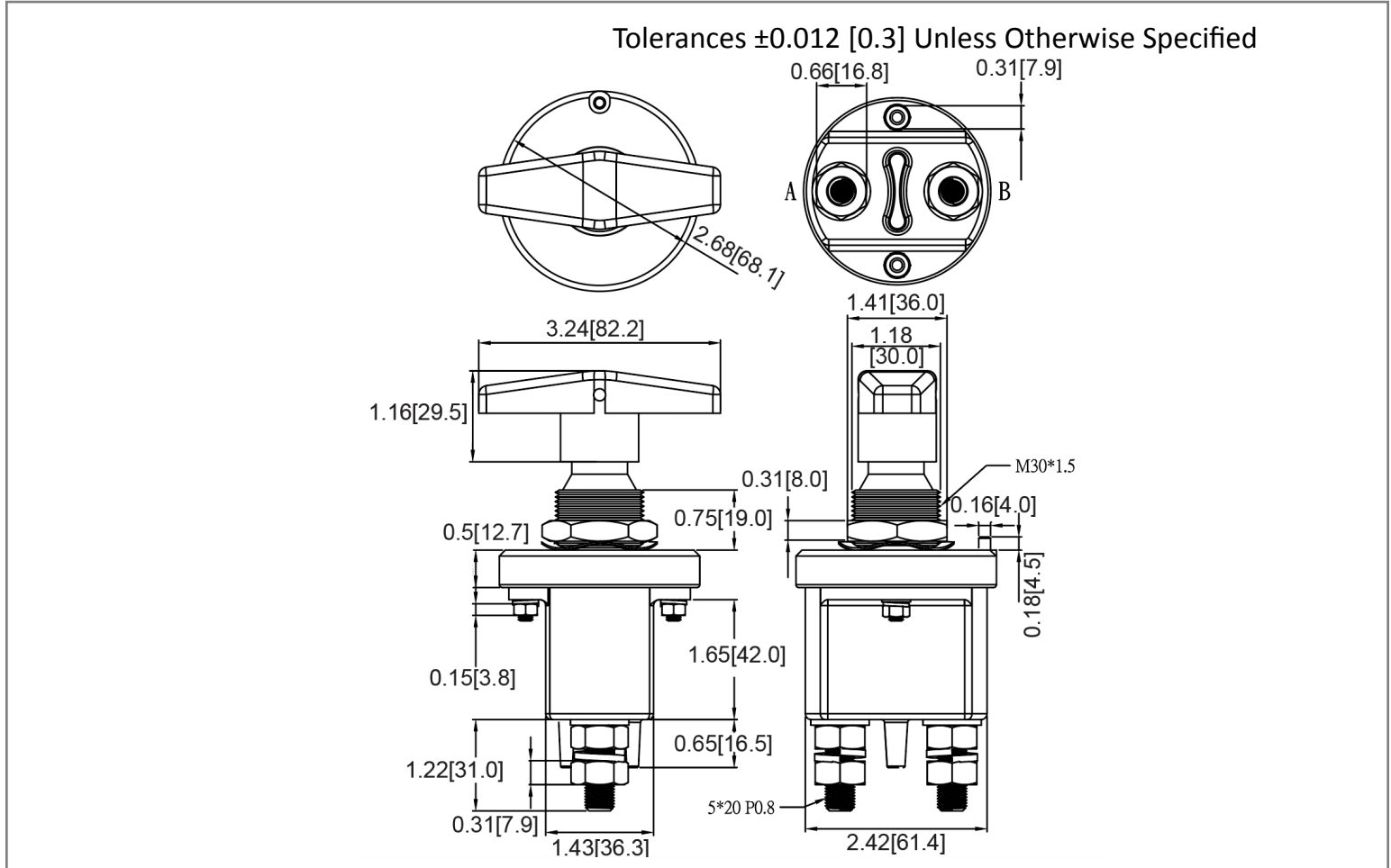
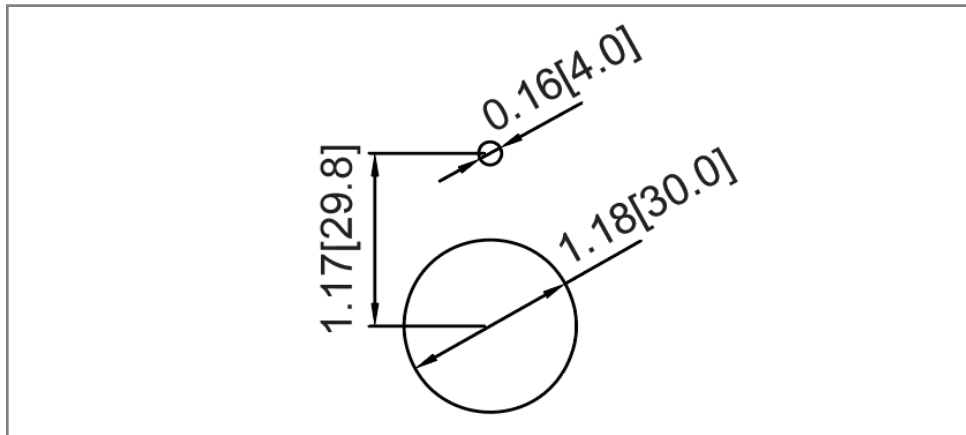


## Mechanical Dimensions: Inches [mm]

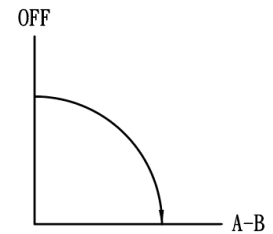


## Mounting Hole



## Circuit Diagram

**SPST:** Does not disconnect alternator or generator field circuit.



## Electrical Specifications

<b>Continuous Rating</b>	500A 12VDC, 300A 24VDC
<b>Intermittent Rating</b>	2000A for 5secs intervals
<b>Insulation Resistance</b>	DC 500V 100M ohm Min
<b>Dielectric Strength</b>	AC 1000V 1 minute
<b>Operation Temperature</b>	-40°C ~ 85°C

## Material Specifications

<b>Vibration Resistance</b>	3G (50-2000Hz)
<b>Shock Resistance</b>	6G, 11msec
	IP66 / IEC529
	Includes Mounting Bracket

**Rev**    **Date of issue**    **Revision Notes**

**Designed**    **Approved**

A	04-06-2020	Initial Drawing	RC	OF
---	------------	-----------------	----	----