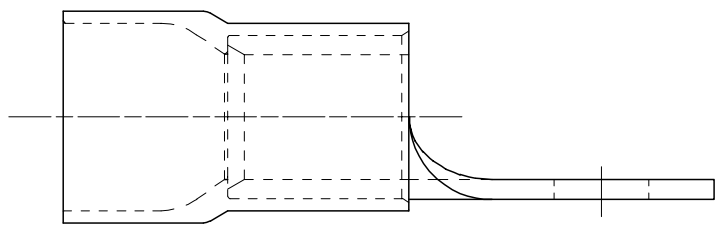
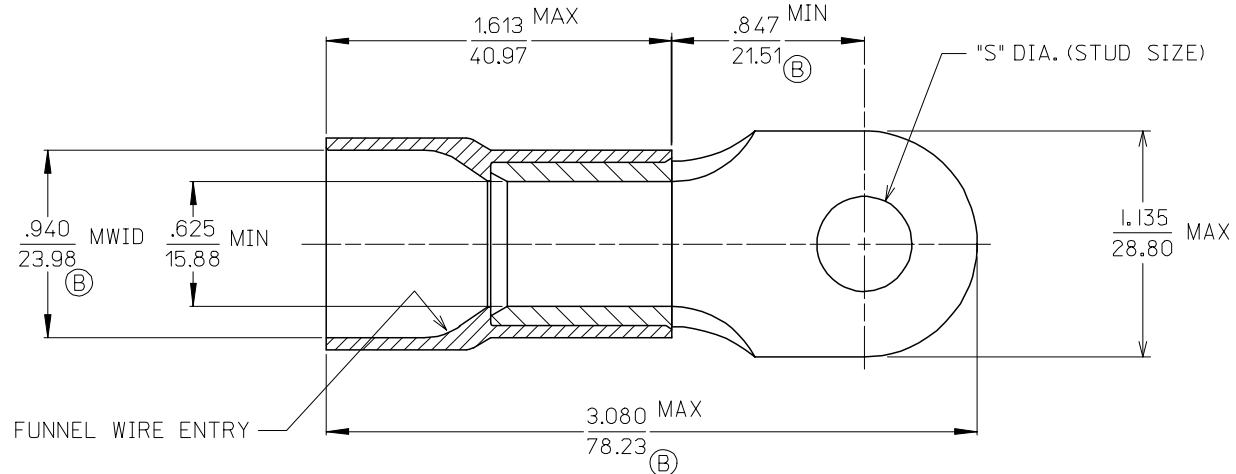


MATERIAL NUMBER	ALTERNATE NUMBER	STUD SIZES	"S" REF.
190670123	L-995-12	1/2	.515
190670124	L-995-38	3/8	.390
190670125	L-995-76	7/16	.453
190670131	L-995-58	5/8	.656
190670369	L-995-56	5/16	.313



CUSTOMER DRAWING

- NOTES:
1. MATERIAL: COPPER .102 THICK
PLATING: ELECTROPLATE TIN
 2. INSULATION: BLUE NYLON 6/6
 3. MWID=MAXIMUM WIRE INSULATION DIA.
 4. ALL COMPONENTS ARE ROHS COMPLIANT.

Added 5/16" Stud Size EC NO: ETC2006-0388 DRWN: JSCHOLEY 2006/05/08 CHKD: REROSS 2006/05/11 APPR: REROSS 2006/05/11	QUALITY SYMBOLS ▽=0 ▽=0	GENERAL TOLERANCES (UNLESS SPECIFIED)		DIMENSION STYLE IN/MM		SCALE ---	DESIGN UNITS INCH	THIRD ANGLE PROJECTION	
			mm	INCH	DRAWN BY EDB	DATE 2001/02/02	TITLE NYLAKRIMP FUNNEL ENTRY RING TONGUE TERMINAL 4/0 AWG		
		4 PLACES	± ---	± ---	CHECKED BY HEB	DATE 2001/02/02	MOLEX INCORPORATED		
		3 PLACES	± ---	± .005	APPROVED BY RWD	DATE 2001/02/02	MATERIAL NO. SEE CHART	DOCUMENT NO. SD-19067-009	SHEET NO. 1 OF 1
2 PLACES	± 0.13	± .01	DRAFT WHERE APPLICABLE MUST REMAIN WITHIN DIMENSIONS		THIS DRAWING CONTAINS INFORMATION THAT IS PROPRIETARY TO MOLEX INCORPORATED AND SHOULD NOT BE USED WITHOUT WRITTEN PERMISSION				
1 PLACE	± 0.25	± ---	ANGULAR ±1/2°						