

P/N : 46437-1288

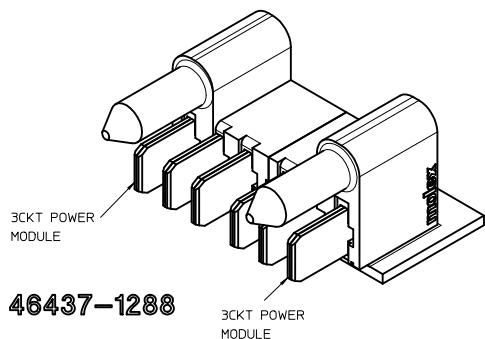
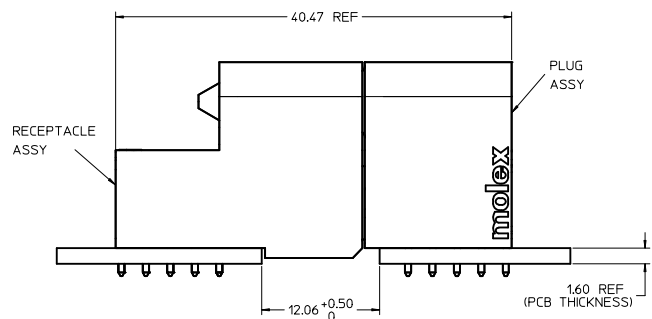
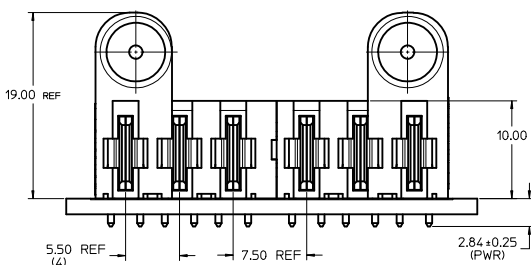
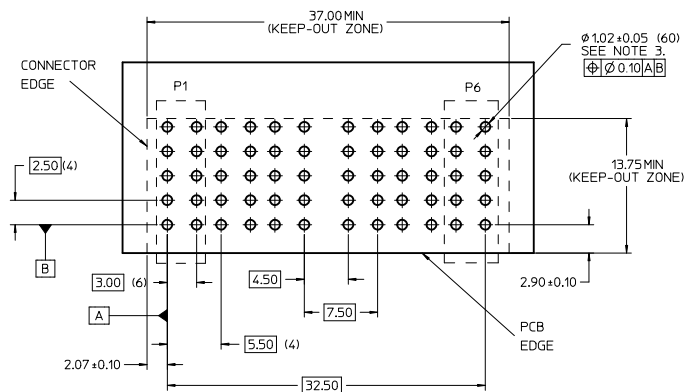
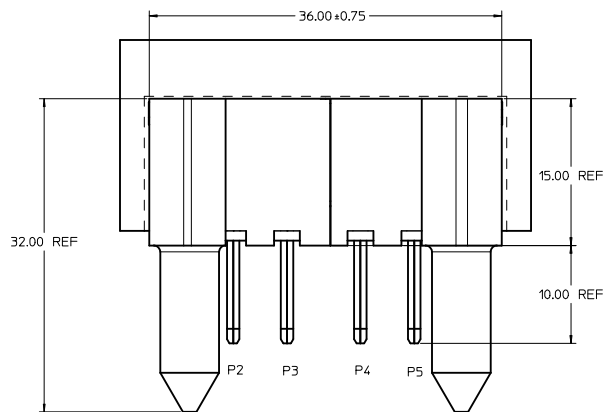
3CKT POWER MODULE

3CKT POWER MODULE

NOTES:

- MATERIAL:
 - HOUSINGS: LCP UL-94, V-0, COLOR: BLACK
 - TERMINALS: COPPER ALLOY
 - PLATING: .00127 NICKEL OVERALL WITH 0.00254 SELECTIVE TIN ON SOLDER TAILS AND 0.000762 SELECTIVE GOLD ON CONTACT AREA.
- PACKAGING: ASSEMBLIES TO BE TRAY PACKED, QTY TBD.
- PC BOARD REQUIRES SOLDER THRU HOLES, REFER TO PS-46436-100 FOR DETAILS.
- PRODUCT SPEC: PS-46436-100.
- APPLICATION SPEC: AS-46436-100.
- SEE PRODUCT SPEC FOR MEET ROHS REQUIREMENTS.
- ASSEMBLY MATES WITH MOLEX RECEPTACLE ASSEMBLY P/N: 46436-1288.

PROPOSAL IEC NO. UCP2012-0807 2011/09/13 DRAWN BY LKCHEW CHECKED BY CHYDANG APPR: SHONG 2011/10/25	QUALITY SYMBOLS	GENERAL TOLERANCES (UNLESS SPECIFIED)	DIMENSION STYLE	SCALE	DESIGN UNITS	THIRD ANGLE PROJECTION	
		mm INCH	MM ONLY	4:1	METRIC	☉	
	4 PLACES ±---	±---		DRAWN BY	DATE	TITLE	
	3 PLACES ±---	±---		LKCHEW	2011/09/13	RA PLUG ASSY	
	2 PLACES ±0.25	±---	CHECKED BY	DATE		3DC-3DC	
	1 PLACE ±0.25	±---	LNG			TEN60 POWER FAMILY	
	ANGULAR ±1/2°		APPROVED BY	DATE		MOLEX INCORPORATED	
	DRAFT WHERE APPLICABLE MUST REMAIN WITHIN DIMENSIONS		SHONG	2011/10/25			
			MATERIAL NO.	DOCUMENT NO.			
			46437-1288	SD-46437-1288			
			SIZE				
			D				
			THIS DRAWING CONTAINS INFORMATION THAT IS PROPRIETARY TO MOLEX INCORPORATED AND SHOULD NOT BE USED WITHOUT WRITTEN PERMISSION				
						SHEET NO. 1 OF 1	



P/N : 46437-1288

3CKT POWER MODULE

NOTES:

- MATERIAL:
 - HOUSINGS: LCP UL-94, V-0, COLOR: BLACK
 - TERMINALS: COPPER ALLOY
 - PLATING: .00127 NICKEL OVERALL WITH 0.00254 SELECTIVE TIN ON SOLDER TAILS AND 0.000762 SELECTIVE GOLD ON CONTACT AREA.
- PACKAGING: ASSEMBLIES TO BE TRAY PACKED, QTY TBD.
- PC BOARD REQUIRES SOLDER THRU HOLES, REFER TO PS-46436-100 FOR DETAILS.
- PRODUCT SPEC: PS-46436-100.
- APPLICATION SPEC: AS-46436-100.
- SEE PRODUCT SPEC FOR MEET ROHS REQUIREMENTS.
- ASSEMBLY MATES WITH MOLEX RECEPTACLE ASSEMBLY P/N: 46436-1288.

PROPOSAL IEC NO. UCP2012-0807 2011/09/13 DRAWN BY LKCHEW APPR: SHONG 2011/10/25	QUALITY SYMBOLS	GENERAL TOLERANCES (UNLESS SPECIFIED)	DIMENSION STYLE	SCALE	DESIGN UNITS	THIRD ANGLE PROJECTION
		mm INCH	MM ONLY	4:1	METRIC	☉
	4 PLACES ±---	±---	DRAWN BY	DATE	TITLE	RA PLUG ASSY
	3 PLACES ±---	±---	LKCHEW	2011/09/13	3DC-3DC	TEN60 POWER FAMILY
	2 PLACES ±0.25	±---	CHECKED BY	DATE	MOLEX INCORPORATED	
	1 PLACE ±0.25	±---	LNG			
	ANGULAR ±1/2°		APPROVED BY	DATE	MATERIAL NO.	DOCUMENT NO.
			SHONG	2011/10/25	46437-1288	SD-46437-1288
	DRAFT WHERE APPLICABLE MUST REMAIN WITHIN DIMENSIONS		SIZE			SHEET NO.
			D			1 OF 1