

**PLEASE CHECK WWW.MOLEX.COM FOR LATEST PART INFORMATION**

**Part Number:** [0622009000](#)  
**Status:** **Active**  
**Overview:** [Application Tooling](#)  
**Description:** Micro-D Backshell Crimp Tool Kit, 9 Circuits

**Documents:**

[RoHS Certificate of Compliance \(PDF\)](#)

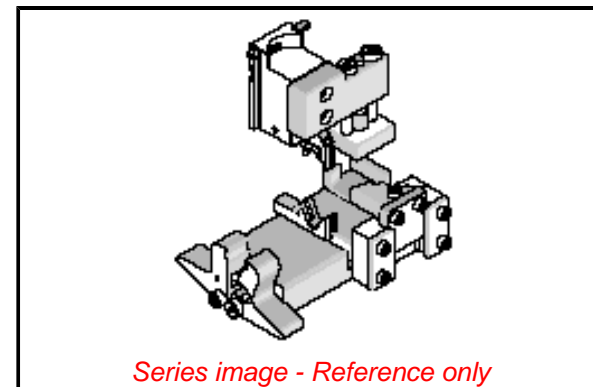
**General**

Product Family	Application Tooling
Series	<a href="#">207129</a>
Comments	This tool kit is intended for use in the Basic Arbor Press. See Tooling Specification (PDF) Above, This tool kit is intended for use in the Basic Arbor Press. See Tooling Specification (PDF) Above
Function	Crimp
Geographic Area	Global
Level of Automation	Manual
More Detailed Tech Information	<a href="mailto:applicationtooling@molex.com">applicationtooling@molex.com</a>
Overview	<a href="#">Application Tooling</a>
Product Name	N/A
Tool Type	Hand Crimp Tool
UPC	800754012676
Warranty Disclaimer	CAUTION: Molex tooling crimp specifications are valid only when used with Molex terminals and tooling manufactured by Molex and sold by Molex or authorized distributors ("Molex Tooling"). When using tooling other than Molex Tooling with Molex specific connector systems listed in our ATS documents, the Molex tooling qualification does not apply and the responsibility for full qualification of the connector system is that of the customer. Molex accepts no liability for connector performance or tooling support where tooling other than Molex Tooling is used or where Molex Tooling is modified.

**Material Info**

**Reference - Drawing Numbers**  
Application Tooling Documents

ATS-622008900, ATS-622009000



**EU ELV**

**Not Relevant**

**EU RoHS**

**Not Relevant**

**REACH SVHC**

Not Relevant

**Halogen-Free**

**Status**

**Not Relevant**

For more information, please visit [Contact US](#)

China ROHS

Not Relevant

ELV

Not Relevant

RoHS Phthalates

Not Relevant

**Search Parts in this Series**

[207129 Series](#)

**Use With**

[622019800](#)

**Application Tooling** | [FAQ](#)

**Description**

**Product #**

1.27mm Pitch

[834219014](#)

Commercial Micro

D, Cable Receptacle

Kit, 9 Circuits