

1 2 3 4 5 6

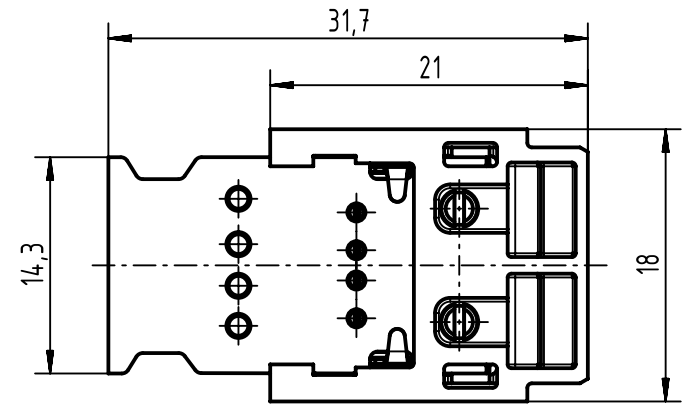
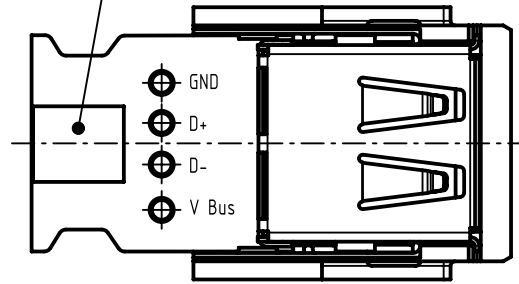
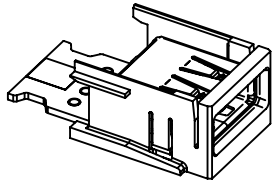
A
B
C
D

top side

bottom side

A

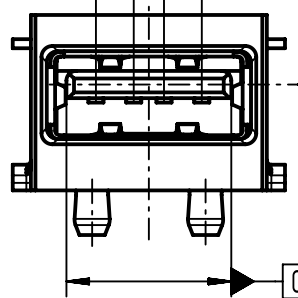
area for cable shielding



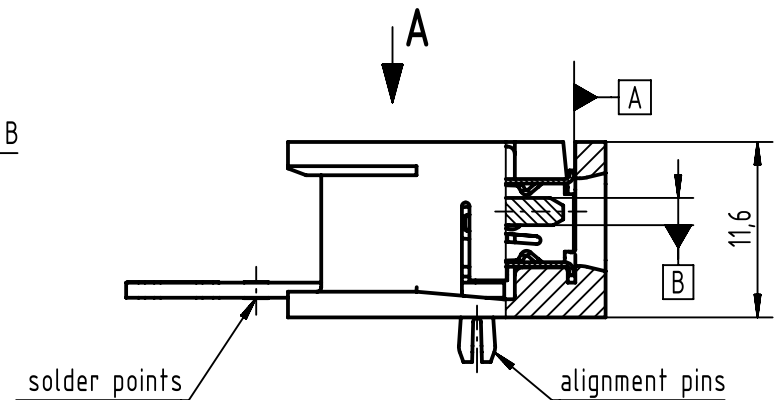
centerline C

contact number — 1 2 3 4

centerline B



loading-plan



USB spec.

solder points

V Bus	1	—————	V Bus
D-	2	—————	D-
D+	3	—————	D+
GND	4	—————	GND
Shield	Shell	—————	

References A, B and C
acc. to USB specification 2.0
www.usb.org

dimensions of the panel feed through and further information see: DS 09456230201

	All rights reserved Department EC PD - DE	All Dimensions in mm Original Size DIN A4		Scale 2:1	Free size tol.		Ref. Sub.	
		Created by HASSE	Inspected by LUETTERMANND	Standardisation HOFFMANN	Date 2013-10-14	State Final Release		
HARTING Electronics GmbH D-32339 Espelkamp			Title HPP V4 Adapter PCB USB2.0 type A, jack to solder points			Doc-Key / ECM-Nr. 100528994 / UGD/006/A 500000067200		
Type TB		Number 09455411903		Rev. A		Page 1/1		