



Product/Process
Change
Notification
PCN07122

Product:	SAS, HPL574		Part Numbers Concerned:	Richard Allerston (Xyratex) Tom Sultzer (INTEL)
Product Manager:	Eric Tng		Issue Date:	30 th July 2007
			Page(s):	1/2
Distribution:	Global Sales & Distributors			

Subject:

Discontinuance of SAS, HPL574

Background:

Due to very limited sales over a period of 2 years of less than a 1000pcs/year, it is virtually impossible to maintain resources & capacity of tooling without incurring lost in operation cost.

Nature of change:

Product End Of Life

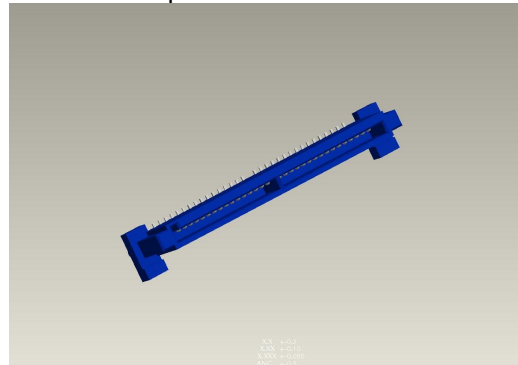
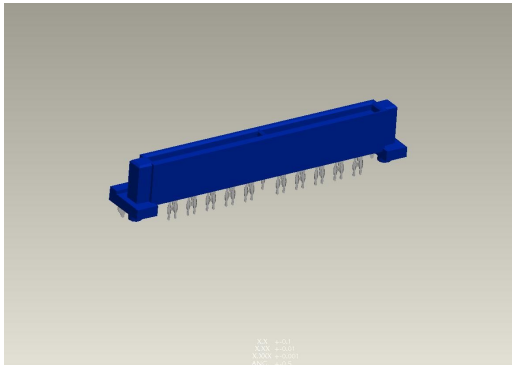
Product Lines Affected:

HPL 574

Responsible Part Number being discontinued:

10040812-001LF 4 Lane SAS Vertical Press Fit Receptacle.

10044089-001LF 4 Lane SAS Vertical SMT Receptacle



Nature of change:

Product End Of Life

Alternatives and Replacements:

There will be no replacement for these parts.

Implementation date:

Last buy date : 30th July 2008

Last shipment date : 30th Aug 2008

Last distribution return date : 30th Aug 2007

Action Required:

- Sales to acknowledge PCN & made known decision to customers & distributors involved in the EOL of above part numbers.

For questions regarding this PCN contact:

Eric Tng

(FCI Singapore).

Tel: 65- 68606216

Email:eric.tng@fciconnect.com

Or contact your nearest FCI representative

EOL PCN Special note: If no last time buy orders are received by FCI within 180 days after issue date of EOL PCN FCI reserves the right to terminate production at any time at its discretion.

MOQ and lead time will be negotiated at time of order placement and will be dependent upon material availability. FCI will make every effort to meet all customer order requests. Orders placed within the 365 day window and subsequently cancelled will be subjected to a cancellation charge.

PCN	Item Number	Change	Last Time Buy Date	Last Shipment Date	Last Disty return date
PCN07122	10040812-001LF	EOL	30-Jul-08	30-Aug-08	30-Aug-07
PCN07122	10044089-001LF	EOL	30-Jul-08	30-Aug-08	30-Aug-07