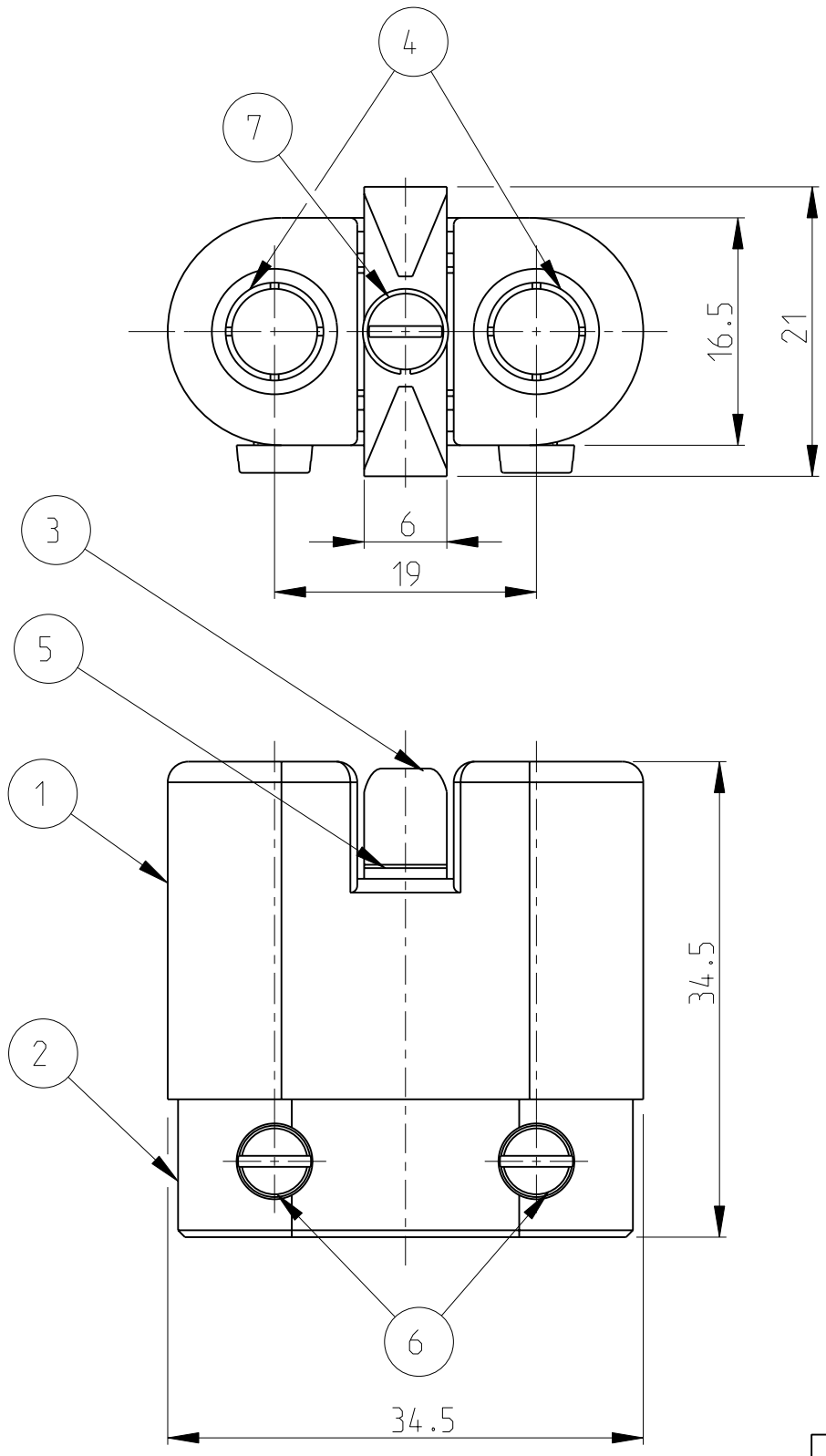
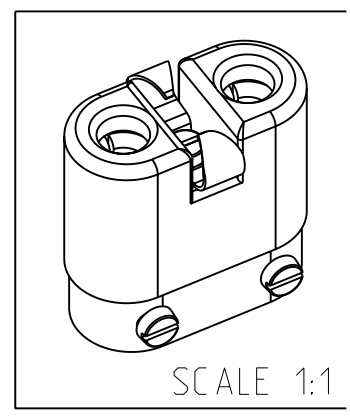


THIS DRAWING IS UNPUBLISHED. RELEASED FOR PUBLICATION 1999  
 © COPYRIGHT 1998 BY TYCO ELECTRONICS CORPORATION. ALL RIGHTS RESERVED.

LOC	DIST	REVISIONS			
P	LTR	DESCRIPTION	DATE	DWN	APVD
A1	-	A4	RELEASED AS PER ECR-09-007016	26-MAR-2009	GG TS



NOTES:  
 1 MATERIAL:SEE THE TABLE  
 2 SURFACE:SEE THE TABLE  
 3 PACKAGING QUANTITY: 5 PIECES



QTY	DESCRIPTION	MATERIAL	COLOR	ITEM NO	REMARKS
1	CYLINDER HEAD SCREW	STEEL	NICKEL-PLATED	7	M3x25
2	CYLINDER HEAD SCREW	BRASS	NICKEL-PLATED	6	M3x5.5
1	SPRING RING	STEEL	NICKEL-PLATED	5	
2	HZ-CONTACT SOCKET	CuZn	NATURE	4	
1	HZ-SPRING	CuZn	NICKEL-PLATED	3	
1	PIN INSERT UPPER PART	CERAMIC	NATURE	2	
1	PIN INSERT BOTTOM PART	CERAMIC	NATURE	1	

DIMENSIONS: mm 		TOLERANCES UNLESS OTHERWISE SPECIFIED: n. ISO 8015 n. ISO 2768-mS-E n. DIN 16901-120 0 PLC ± 1 PLC ± 2 PLC ± 3 PLC ± 4 PLC ± ANGLES ±		DWN 26/03/2004 SCHNEIDER CHK 26/03/2004 T.SCHNURPFIL APVD - PRODUCT SPEC - APPLICATION SPEC - WEIGHT -		Tyco Electronics Tyco Electronics.AMP.GmbH 53757 Sankt Augustin, Germany NAME <b>SOCKET INSERT</b>	
MATERIAL 1		FINISH 2		SIZE A3	CAGE CODE 00779	DRAWING NO C= 1102048	RESTRICTED TO -
CUSTOMER DRAWING				SCALE 2:1	SHEET 1 OF 1	REV A4	