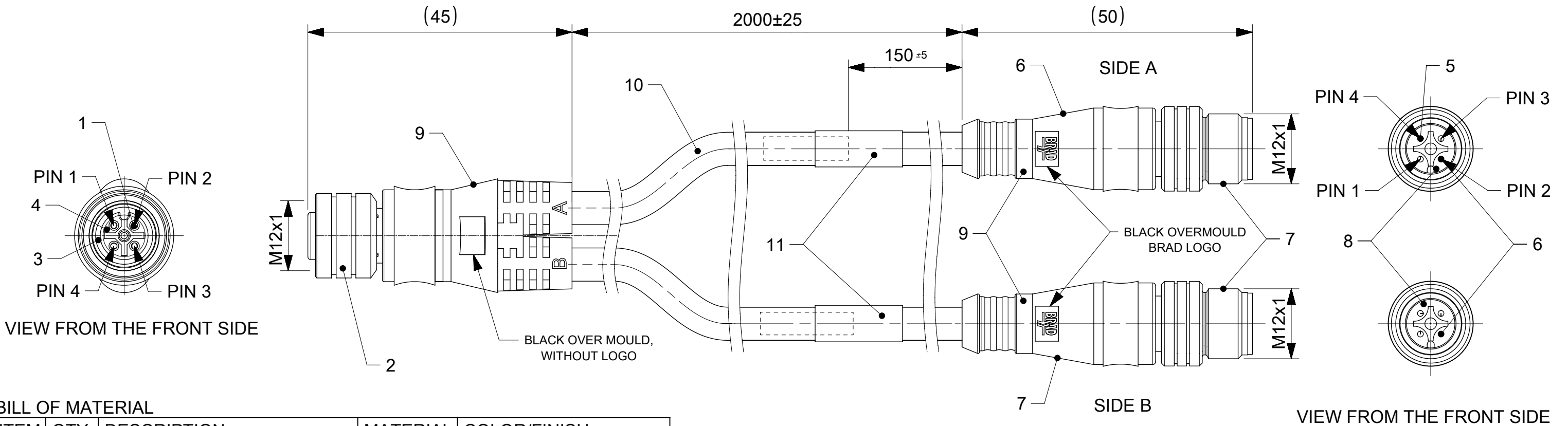
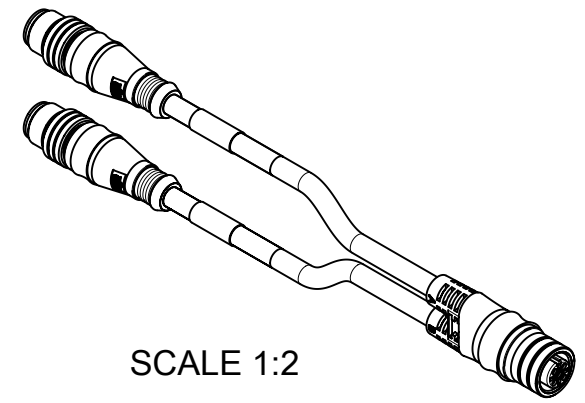
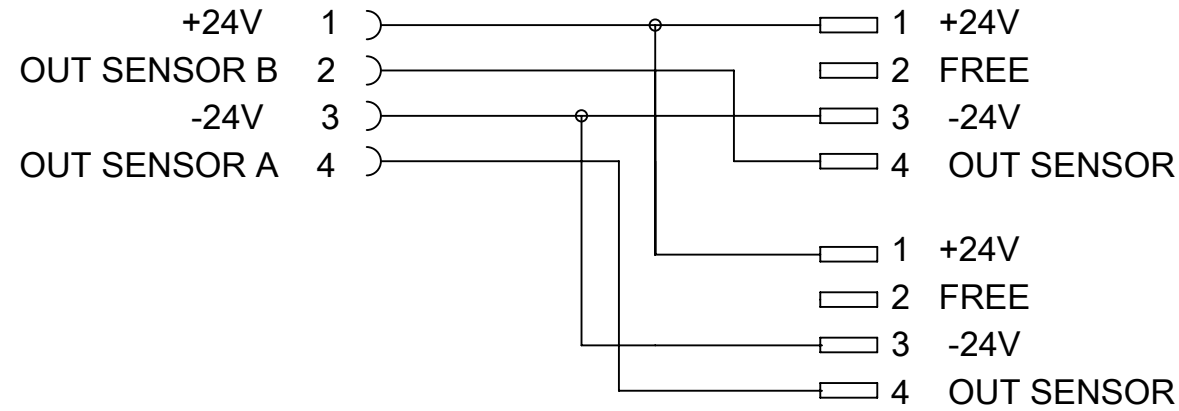


CONNECTOR SPECIFICATION :
 ELECTRICAL DATA:
 VOLTAGE RATING: 250V AC/DC
 AMPERAGE RATING: 4A

ENVIRONMENTAL:
 PROTECTION: IP67

CABLE SPECIFICATION:
 CROSS SECTION : 3x0.34mm²
 OPERATING CURRENT : 300V
 TEST VOLTAGE : >=2000
 RESISTANCE : MAX. 30 Ohm/km at 20°C
 OPERATING TEMPERATURE : FIXED : -50°C TO 80°C
 DYNAMIC : -25°C TO 80°C

CIRCUIT DIAGRAM



BILL OF MATERIAL

ITEM	QTY.	DESCRIPTION	MATERIAL	COLOR/FINISH
1	4	CONTACT FEMALE	BRASS	GOLD OVER Ni-PLATED
2	1	COUPLING NUT M12 FEMALE	BRASS	BLACK/Ni-PLATED
3	1	GASKET OR	FPM	RED
4	1	INSERT M12 FEMALE	TPU	BLACK
5	6	CONTACT MALE	BRASS	GOLD OVER Ni-PLATED
6	2	CONTACT MALE	BRASS	Ni-PLATED
7	2	COUPLING NUT M12 MALE	BRASS	BLACK/Ni-PLATED
8	2	INSERT M12 MALE	PUR	BLACK
9	-	MOULDING MATERIAL	TPU	BLACK
10	-	CABLE	PUR	BLACK
11	2	LABEL	TPU	HALOGEN FREE

SYMBOLS	THIS DRAWING CONTAINS INFORMATION THAT IS PROPRIETARY TO MOLEX ELECTRONIC TECHNOLOGIES, LLC AND SHOULD NOT BE USED WITHOUT WRITTEN PERMISSION	CURRENT REV DESC:		molex		
	DIMENSION UNITS: mm SCALE: 3:2 GENERAL TOLERANCES (UNLESS SPECIFIED): ANGULAR TOL ± 1.0° 4 PLACES ± 3 PLACES ± 2 PLACES ± 0.05 1 PLACE ± 0.3 0 PLACES ± 0.5 DRAFT WHERE APPLICABLE MUST REMAIN WITHIN DIMENSIONS	EC NO: 614636 DRWN: SSM 2018/03/28 CHK'D: RSILLER 2019/04/03 APPR: RSILLER 2019/04/03	PRODUCT CUSTOMER DRAWING DOCUMENT NUMBER: 1200685109 DOC TYPE: PSD DOC PART: 000 REVISION: A1			
	THIRD ANGLE PROJECTION	DRAWING: A3-SIZE	SERIES: 120068	MATERIAL NUMBER: 1200685109	CUSTOMER: GENERAL MARKET	SHEET NUMBER: 1 OF 1