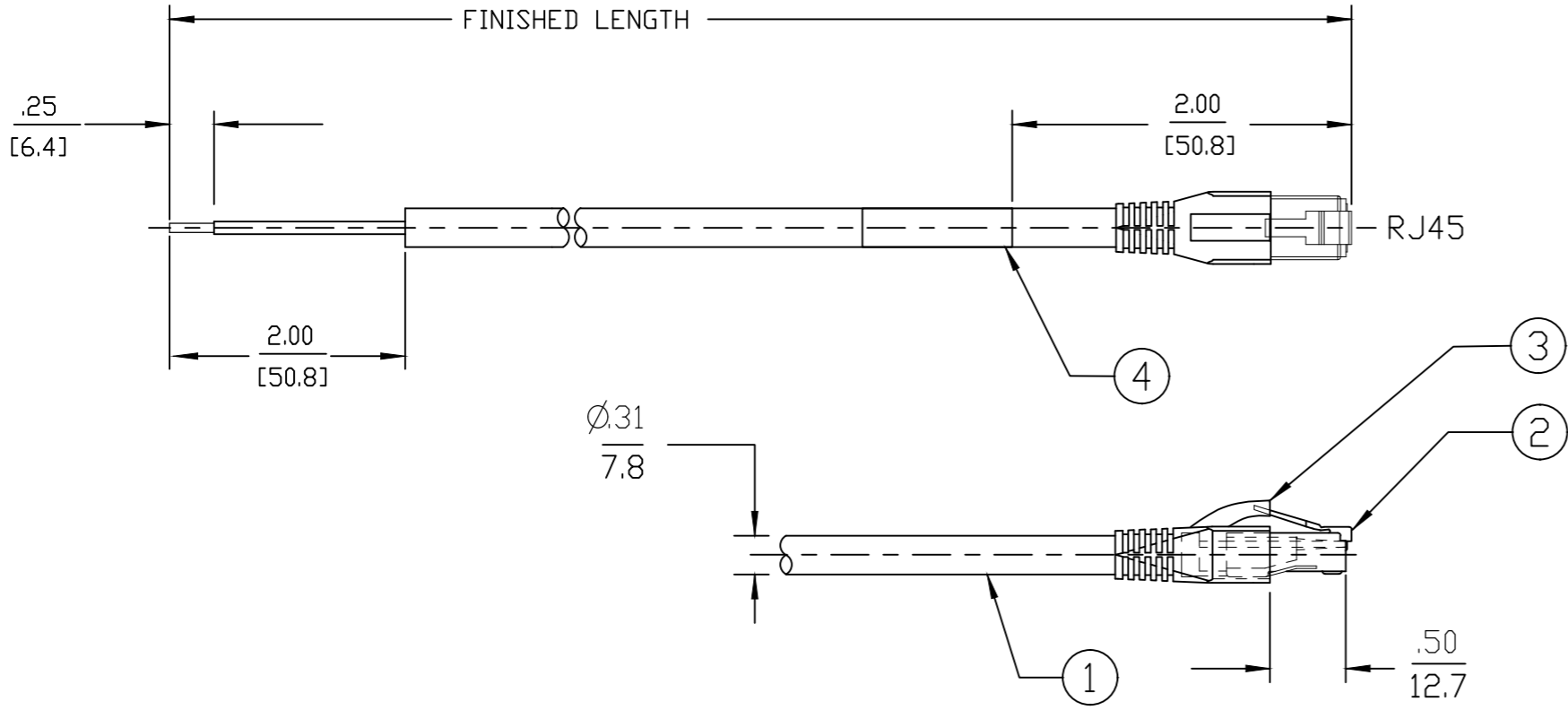
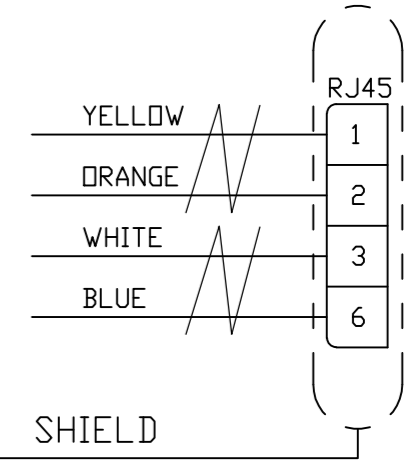
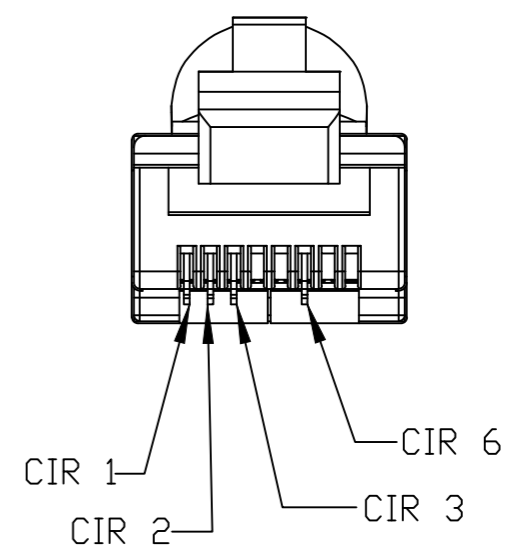


PART NO.	ENGINEERING NO.	FINISHED LENGTH
1201080768	E60A06017M002	7.87 IN [0.2M]

CABLE LENGTH TOLERANCES	
<.3M [1FT]:	+19mm-0 [+.75in-0]
.3 - .9M [1 - 3FT]:	+44.5mm-0 [+1.75in-0]
.9 - 1.8M [3 - 6FT]:	+55.6mm-0 [+2.19in-0]
1.8 - 3.7M [6 - 12FT]:	+88.9mm-0 [+3.50in-0]
3.7 - 7.3M [12 - 24FT]:	+165.1mm-0 [+6.50in-0]
7.3-14.6M [24 - 48FT]:	+317.5mm-0 [+12.50in-0]
14.6 - 30.5M [48-100FT]:	+622.3mm-0 [+24.50in-0]
OVER 30M [100FT]	+2% OF FINISHED LENGTH



RJ45 FACE VIEW
SCALE: 4X



- NOTES:
1. MATERIAL: SEE TABLE
 2. FINISHES: SEE TABLE
 3. ELECTRICAL SPECIFICATIONS
VOLTAGE RATING: 30VAC
CURRENT RATING: 1.5 AMPS
 4. DIMS SHOWN ARE FOR REFERENCE UNLESS NOTED OR TOLERANCED OTHERWISE

PART NO. MATRIX
E60A06017MXXX

FINISHED LENGTH
M001 = 0.1M
M010 = 1.0M
M100 = 10.0M

4	WRAP LABEL	VINYL	BLACK/YELLOW
3	RJ45 BOOT	PVC	BLACK
2	RJ45 PLUG	PC SHELL, BRASS CONT	CLEAR, GOLD PLT
1	CABLE, PROFINET, 2PR, 22 AWG, SHLD, PLTC	TPE JACKET	GREEN
ITEM	DESCRIPTION	MATERIAL	FINISH

FUNCTIONAL SYMBOLS	THIS DRAWING CONTAINS INFORMATION THAT IS PROPRIETARY TO MOLEX ELECTRONIC TECHNOLOGIES, LLC AND SHOULD NOT BE USED WITHOUT WRITTEN PERMISSION		CURRENT REV DESC: INITIAL RELEASE		
	DIMENSION UNITS	SCALE	EC NO: 650933		
$F=0$	INCH/MM	1:1	DRWN: RSTONE 2020/12/07		RJ45 CABLE ASSEMBLY SINGLE ENDED RJ45 PLUG, PROFINET, 2 PAIR, SHLD, 22AWG, PLTC
$F/C=0$	GENERAL TOLERANCES (UNLESS SPECIFIED)		CHK'D: MZIELINSKI 2020/12/08		
$F/P=0$	mm	INCH	APPR: BWOODMAN 2020/12/08		PRODUCT CUSTOMER DRAWING
DIVISIONAL SYMBOLS	4 PLACES	±----	INITIAL REVISION:		
	3 PLACES	±----	DRWN: RSTONE 2020/12/07		DOCUMENT NUMBER
	2 PLACES	±----	APPR: BWOODMAN 2020/12/08		1201080768
	1 PLACE	±----	DRAFT WHERE APPLICABLE MUST REMAIN WITHIN DIMENSIONS		DOC TYPE
	0 PLACES	±----	THIRD ANGLE PROJECTION		PSD
	ANGULAR TOL ± ---- °		DRAWING		000
			SERIES		A
			MATERIAL NUMBER		REVISION
			CUSTOMER		GENERAL MARKET
			SHEET NUMBER		1 OF 1