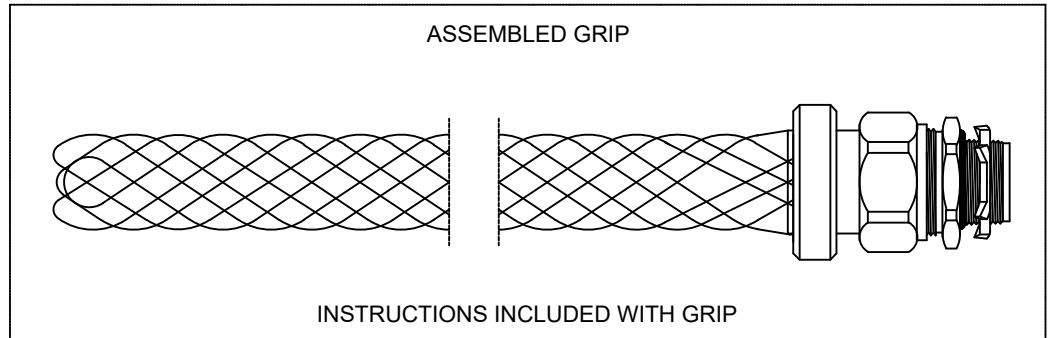
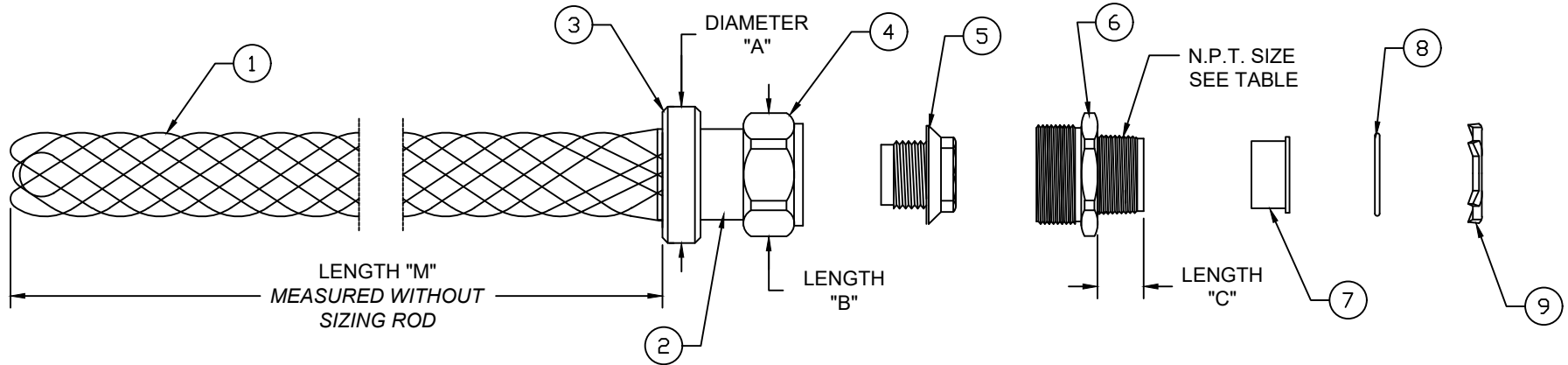


| CATALOG NUMBER | MATERIAL NUMBER | CONDUIT SIZE | N.P.T. FITTING SIZE | LENGTH "M" | DIAMETER "A" REF. | LENGTH "B" REF. | LENGTH "C" REF. | PRODUCT SELECTION NUMBER | UL LISTED | CSA APRVD |
|----------------|-----------------|--------------|---------------------|-------------------------|-------------------|-----------------|-----------------|--------------------------|-------------|-----------|
| 37100 | ----- | 3/8" | 3/8" | 9.00±1.00 / 228.6±25.4 | 1.2 / 30 | 1.16 / 29.5 | .59 / 15.0 | STNM038W | Y E S | N O |
| 37104 | 1300960075 | 1-1/4" | 1-1/4" | 17.00±1.50 / 431.8±38.1 | 2.4 / 61 | 2.41 / 61.2 | .75 / 19.1 | STNM125W | | |
| 37105 | 1300960077 | 1-1/2" | 1-1/2" | 21.50±2.00 / 546.1±50.8 | 2.9 / 74 | 2.78 / 70.6 | .75 / 19.1 | STNM150W | | |
| 37106 | 1300960079 | 2" | 2" | 24.00±2.00 / 609.6±50.8 | 3.5 / 89 | 3.38 / 85.9 | .75 / 19.1 | STNM200W | | |



| ITEM | DESCRIPTION | MATERIAL |
|------|-------------------|--------------------------------------------|
| 1 | WIRE MESH | STAINLESS STEEL |
| 2 | INNER RING | ZINC PLATED STEEL |
| 3 | OUTER RING | ALUMINUM |
| 4 | COMPRESSION NUT | ZINC PLATED STEEL OR ZINC PLATED CAST IRON |
| 5 | FERRULE | NYLON |
| 6 | THREADED BODY | ZINC PLATED STEEL OR ZINC PLATED CAST IRON |
| 7 | THROAT INSULATION | PLASTIC |
| 8 | O-RING | NEOPRENE |
| 9 | LOCK NUT | ZINC PLATED STEEL |

THIS DRAWING CONTAINS INFORMATION THAT IS PROPRIETARY TO MOLEX ELECTRONIC TECHNOLOGIES, LLC AND SHOULD NOT BE USED WITHOUT WRITTEN PERMISSION

| | | | | |
|------------------------------------------------------|---------------------------------------|--------|-------------------------------------------------------------|------------------------------------------------------|
| FUNCTIONAL SYMBOLS | DIMENSION UNITS | SCALE | CURRENT REV DESC: OBSOLETE PART NUMBER AS PER PCN#510808 | |
| | INCH/MM | NTS | | |
| DIVISIONAL SYMBOLS | GENERAL TOLERANCES (UNLESS SPECIFIED) | | EC NO: 736640 DRWN: SUGEEB CHK'D: LIKITV APPR: GGA | |
| | | mm | | INCH |
| | 4 PLACES | ± ---- | ± ---- | 2022/12/22 2023/02/14 2023/02/16 |
| | 3 PLACES | ± ---- | ± 0.005 | |
| | 2 PLACES | ± 0.13 | ± 0.01 | INITIAL REVISION: DRWN: HRUIZ01 APPR: JFMURPHY |
| | 1 PLACE | ± 0.25 | ± 0.02 | |
| | 0 PLACES | ± ---- | ± ---- | 2014/09/24 2015/04/27 |
| | ANGULAR TOL ± 0.5 ° | | | DOCUMENT NUMBER |
| DRAFT WHERE APPLICABLE MUST REMAIN WITHIN DIMENSIONS | | | THIRD ANGLE PROJECTION | DRAWING |
| | | | A-SIZE | SERIES |
| | | | | MATERIAL NUMBER |
| | | | | CUSTOMER |
| | | | | SHEET NUMBER |

molex

STRAIN RELIEF
L.T. NON-METALLIC TYPE A CONDUIT - STRAIGHT MALE

PRODUCT CUSTOMER DRAWING

SD-130096-104

PSD 001 A1

GENERAL MARKET