

CIRCUIT SIZE	MATERIAL NUMBER	DIM "A"	DIM "B"
4		24.7 .97	3.00 .118
6		27.8 1.09	6.00 .236
8		30.8 1.21	9.00 .354
10	44133-1011	33.8 1.33	12.00 .472
12		36.8 1.45	15.00 .591
14		39.9 1.57	18.00 .709
16		42.9 1.69	21.00 .827
18		45.9 1.81	24.00 .945
20		48.9 1.93	27.00 1.063
22		51.9 2.04	30.00 1.181
24		54.9 2.16	33.00 1.299

- NOTES:
1. MATERIAL: UNFILLED NYLON, UL94V-0, IEC 60335-1 GLOW WIRE CAPABLE, COLOR: BLACK
 2. FINISH: N/A
 3. PRODUCT SPECIFICATION: PS-44300-001
 4. PACKAGING SPECIFICATION: TRAY PACKED PER PK-44133-002
 5. THIS RECEPTACLE MATES WITH MOLEX BMI PLUG 44300, MOLEX BMI VERTICAL PCB HEADER 44432, MOLEX BMI RIGHT ANGLE PCB HEADER 44428, & MOLEX BMI CPI VERTICAL PCB HEADER 45280.
 6. THIS RECEPTACLE TO BE USED WITH MOLEX FEMALE CRIMP TERMINALS ONLY (SERIES 43030, 45773, OR 46235). SEE APPLICATION SPECIFICATION AS-44133-001 FOR TERMINAL ORIENTATION IN HOUSING.
 7. THIS RECEPTACLE IS DESIGNED FOR USE WITH .062/1.57 MAX. TO .050/1.27 MINIMUM THICK PANELS.
 8. DIMENSIONS GIVEN ACROSS CENTERLINES ARE SYMMETRICAL ABOUT THOSE CENTERLINES WITHIN HALF THE TOTAL TOLERANCE.
 9. WHEN MATING WITH 44300 SERIES, THE PANEL CUT-OUT CENTERLINES OF DIM "H" AND .385/9.78 MUST ALIGN WITH POINT "M" DEFINED BY 44300 SERIES DRAWING.
 10. MOLEX RECOMMENDS THE USE OF MICRO-FIT TEST PLUG (SERIES 44242) WHENEVER CONTINUITY TESTING IS PERFORMED. TEST PLUGS MUST NOT BE USED TO MAKE OR BREAK UNDER LOAD. MOLEX DOES NOT RECOMMEND USING STANDARD MATING COMPONENTS (SERIES 44428, 44432, 44300 OR 45280) FOR HARNESS TESTING PURPOSES.
 11. PART CONFORMS TO CLASS 'B' REQUIREMENTS OF COSMETIC SPECIFICATION PS-45499-002. SOME HOUSINGS MAY HAVE A SMALL GATE BLEMISH NEAR THE GATE LOCATION THAT DOES NOT AFFECT FUNCTIONALITY. HOUSINGS MAY EXHIBIT A SURFACE IMPERFECTION KNOW AS "SINK MARKS" UP TO .024/(0.60) MAX. THIS IS A COSMETIC DEFECT AND DOES NOT AFFECT FUNCTION OF THE CONNECTOR.
 12. THE WIDTH OF THE NARROW SLOTS SHOULD BE .114-.129/2.90-3.28 (MIN-MAX) IF KEYING OF THE CONNECTOR TO THE CUT-OUT IS DESIRED.

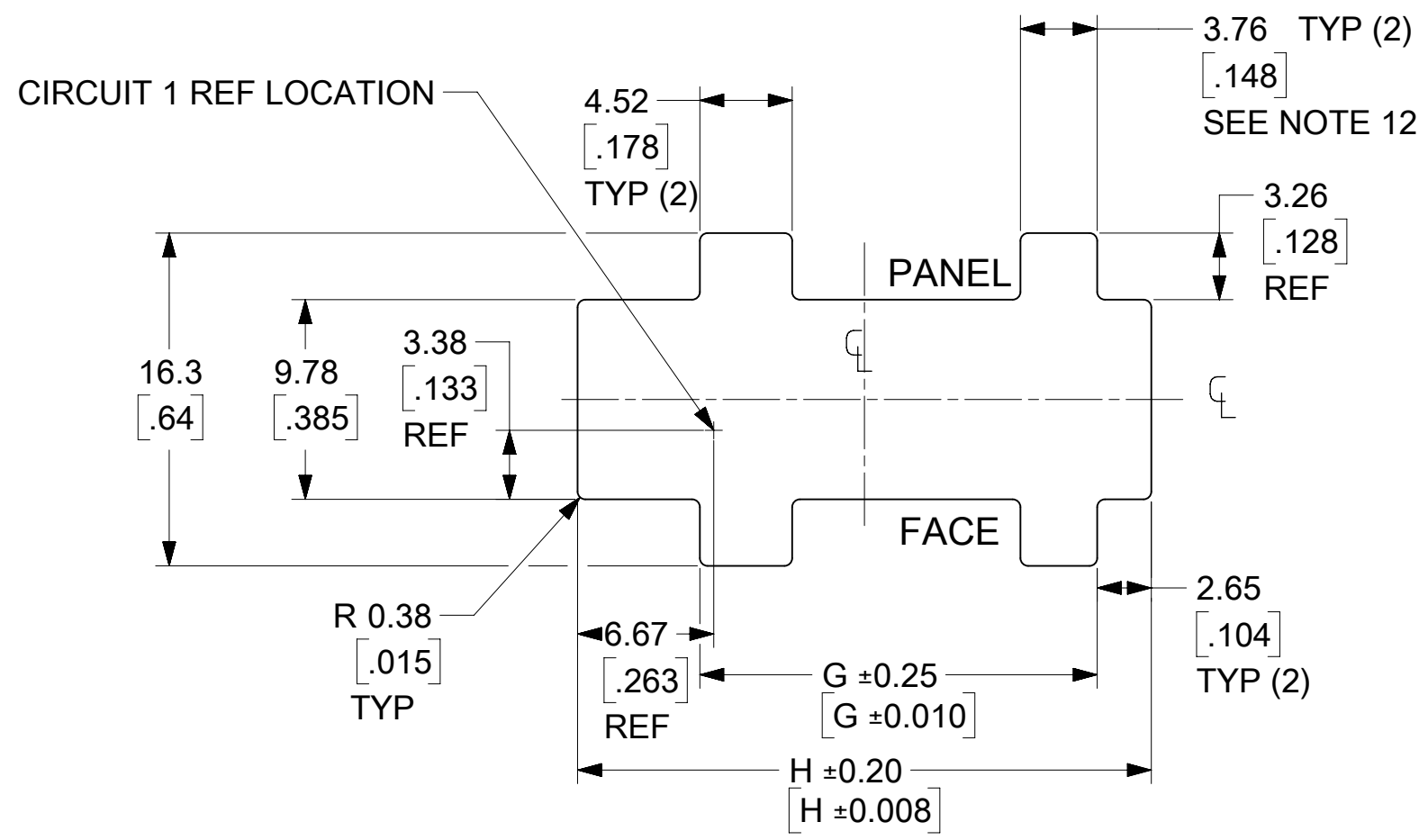
FUNCTIONAL SYMBOLS	THIS DRAWING CONTAINS INFORMATION THAT IS PROPRIETARY TO MOLEX ELECTRONIC TECHNOLOGIES, LLC AND SHOULD NOT BE USED WITHOUT WRITTEN PERMISSION				CURRENT REV DESC: CORRECT LAST CIRCUIT LOCATION			
	DIMENSION UNITS		SCALE		MM		INCH	
$\frac{F}{A} = 0$	MM/INCH		NTS		EC NO: 731168		2022/12/06	
$\frac{F}{C} = 0$	GENERAL TOLERANCES (UNLESS SPECIFIED)				DRWN: MKIPPER		2022/12/06	
$\frac{F}{P} = 0$	4 PLACES		±		CHK'D: RICARC13		2022/12/06	
DIVISIONAL SYMBOLS	3 PLACES		± 0.01		APPR: FSMITH		2022/12/06	
	2 PLACES		± 0.25 ± 0.014		INITIAL REVISION:			
1 PLACE		± 0.35 ±		DRWN: MKIPPER		2020/10/23		
0 PLACES		±		APPR: FSMITH		2021/10/21		
ANGULAR TOL		± 0.5 °		THIRD ANGLE PROJECTION		DRAWING SERIES		
DRAFT WHERE APPLICABLE MUST REMAIN WITHIN DIMENSIONS				C-SIZE		44133		

MICROFIT 3.0 BMI DUAL ROW RECEPTACLE PANEL MOUNT, V-0 AND GLOW WIRE

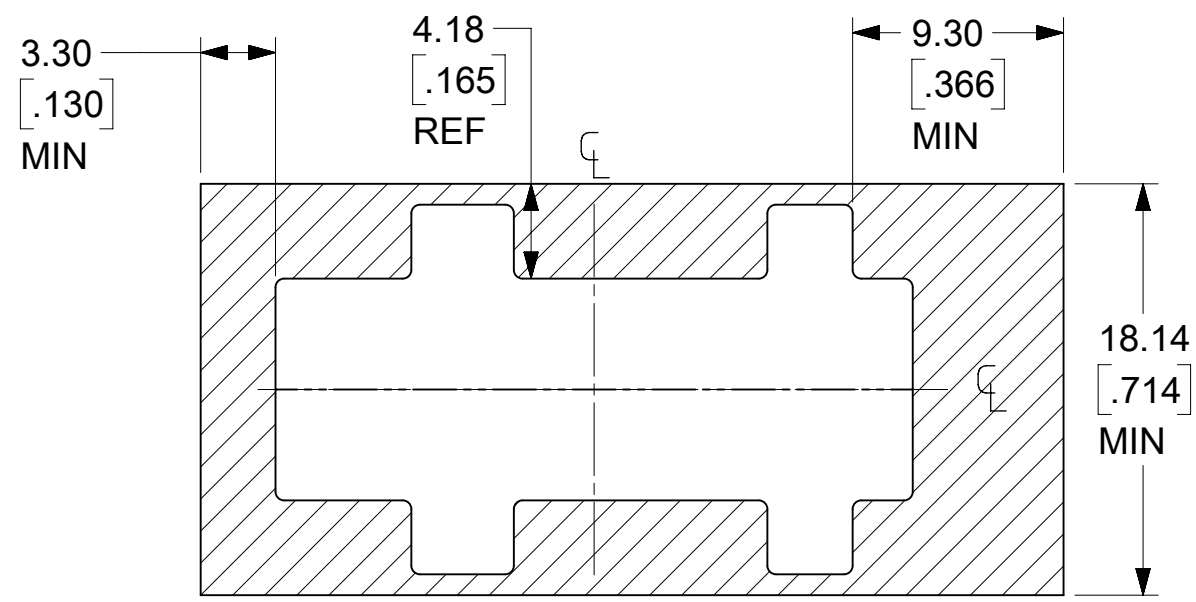
PRODUCT CUSTOMER DRAWING

DOCUMENT NUMBER: **441330011-SD** | DOC TYPE: PSD | DOC PART: 000 | REVISION: A2

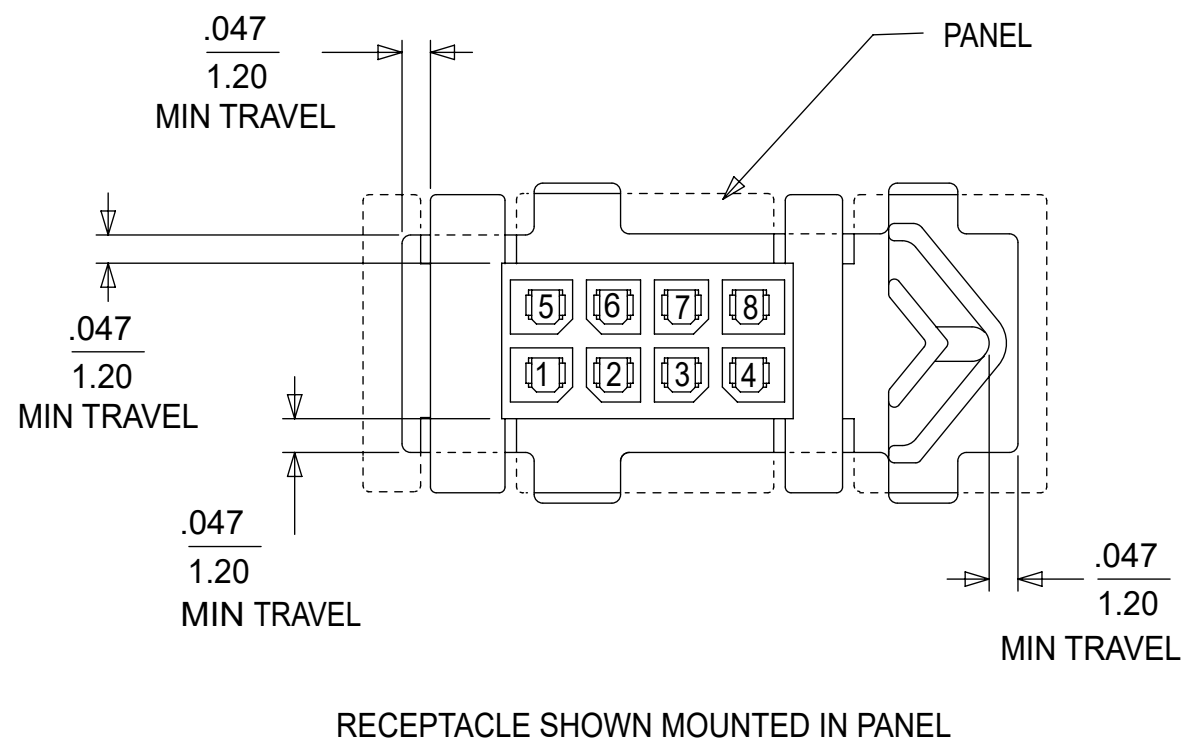
MATERIAL NUMBER: SEE CHART | CUSTOMER: GENERAL MARKET | SHEET NUMBER: 1 OF 2



RECOMMENDED PANEL CUTOUT
(SEE NOTES 7, 9, AND 12)



KEEPOUT AREA



CIRCUIT SIZE	DIM "G"	DIM "H"
4	$\frac{13.46}{.530}$	$\frac{22.10}{.870}$
6	$\frac{16.46}{.648}$	$\frac{25.10}{.988}$
8	$\frac{19.46}{.766}$	$\frac{28.10}{1.106}$
10	$\frac{22.46}{.884}$	$\frac{31.10}{1.224}$
12	$\frac{25.46}{1.002}$	$\frac{34.10}{1.343}$
14	$\frac{28.46}{1.120}$	$\frac{37.10}{1.461}$
16	$\frac{31.46}{1.239}$	$\frac{40.10}{1.579}$
18	$\frac{34.46}{1.357}$	$\frac{43.10}{1.697}$
20	$\frac{37.46}{1.475}$	$\frac{46.10}{1.815}$
22	$\frac{40.46}{1.593}$	$\frac{49.10}{1.933}$
24	$\frac{43.46}{1.711}$	$\frac{52.10}{2.051}$

FUNCTIONAL SYMBOLS	THIS DRAWING CONTAINS INFORMATION THAT IS PROPRIETARY TO MOLEX ELECTRONIC TECHNOLOGIES, LLC AND SHOULD NOT BE USED WITHOUT WRITTEN PERMISSION											
	DIMENSION UNITS	SCALE		CURRENT REV DESC: CORRECT LAST CIRCUIT LOCATION						molex		
$\frac{F_A}{A} = 0$	MM/INCH	NTS										
$\frac{F_C}{C} = 0$	GENERAL TOLERANCES (UNLESS SPECIFIED)											
$\frac{F_P}{P} = 0$			MM	INCH	EC NO: 731168							
DIVISIONAL SYMBOLS	4 PLACES	±			DRWN: MKIPPER 2022/12/06							
	3 PLACES	±		± 0.01	CHK'D: RICARC13 2022/12/06							
	2 PLACES	±	0.25	± 0.014	APPR: FSMITH 2022/12/06							
	1 PLACE	±	0.35	±	INITIAL REVISION:							
	0 PLACES	±		±	DRWN: MKIPPER 2020/10/23							
ANGULAR TOL				± 0.5 °	APPR: FSMITH 2021/10/21							
DRAFT WHERE APPLICABLE MUST REMAIN WITHIN DIMENSIONS				THIRD ANGLE PROJECTION		DRAWING	SERIES	DOCUMENT NUMBER		DOC TYPE	DOC PART	REVISION
						C-SIZE	44133	441330011-SD		PSD	000	A2
								MATERIAL NUMBER		CUSTOMER		SHEET NUMBER
										GENERAL MARKET		2 OF 2