

1

2

3

4

A

A

B

B

C

C

D

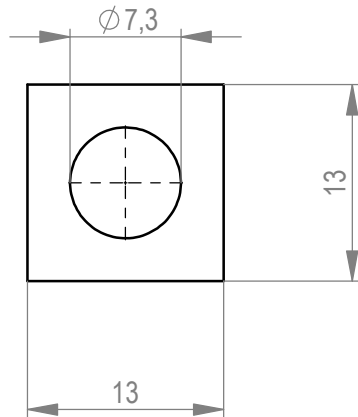
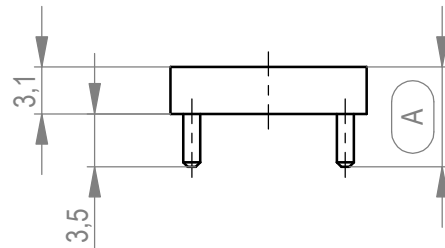
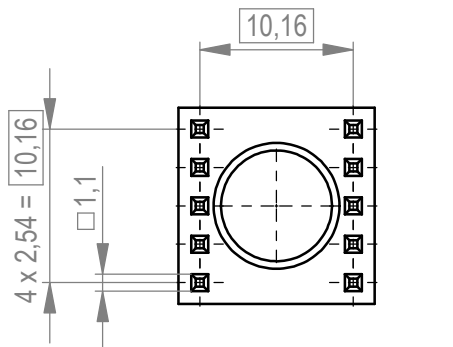
D

E

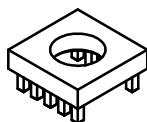
E

F

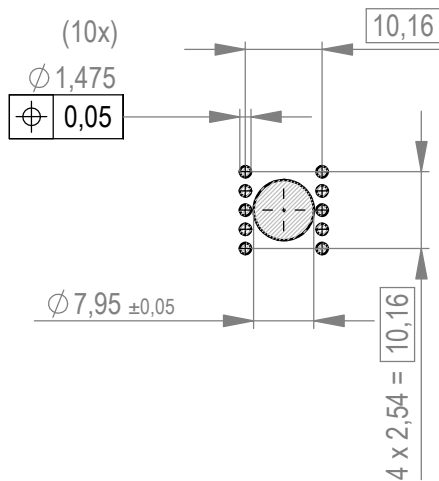
F



M 1:1
scale 1:1



Layout - Vorschlag
PCB - Layout proposal
M 1:1
scale 1:1



Weitergabe sowie Vervielfältigung dieses Dokuments, Verwertung und Mitteilung seines Inhalts sind verboten, soweit nicht ausdrücklich gestattet. Zuwiderhandlungen verpflichten zu Schadenersatz. Alle Rechte für den Fall der Patent-, Gebrauchsmuster- oder Geschmacksmustereintragung vorbehalten.
The reproduction, distribution and utilization of this document as well as the communication of its contents to others without express authorization is prohibited. Offenders will be held liable for the payment of damages. All rights reserved in the event of the grant of a patent, utility model or design.

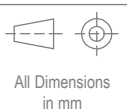
Zeichnung Spezifikation siehe ERNI Dokument 5.3.17
Drawing Specification according to ERNI Document 5.3.17

Sn matt über Cu
sn matt over cu

Oberfläche A / plating A

Dimension no.
use with 225745, 225746

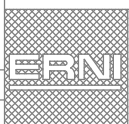
Tolerances
ISO 8015



Scale 2:1
Material CuZn39Pb3

Customer drawing:
All rights reserved.
Only for Information.
To ensure that this is the latest version of this drawing, please contact one of the ERNI companies before using.

Subject to modification without prior notice.
Drawing will not be updated.



ERNI International AG
Zürichstrasse 72
8306 Brüttisellen - Zürich
Switzerland

PowerElement two-part
two row population d 7,3

225727

I
A4

c	29.07.2020
Index	Date

Class POWELM