

## EMP Protector 3400.41.0216

### Description

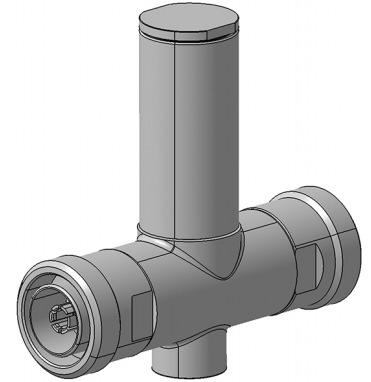
Quarter-wave stub technology

#### Benefits

Broad-band design

The protector can also be installed reversely

Compliant to IEC 61643-21



### Product Configuration

Main path connectors  
Mounting and grounding

Port 1: unprotected, 7/16 jack (female) - Port 2: protected, 7/16 jack (female)  
M8 (screw), brk (bracket)

### Technical Data

#### Electrical Data

Impedance	50 Ω		
Frequency range	806 - 2500 MHz	806 - 960 MHz	1710 - 2500 MHz
Return loss	≥ 20.8 dB	≥ 26 dB	≥ 26 dB
Insertion loss	≤ 0.15 dB	≤ 0.15 dB	≤ 0.15 dB
RF CW power	≤ 1500 W	≤ 3000 W	≤ 1500 W
PIM 3rd order	not specified	-150 dBc typ.	-150 dBc typ.

Surge current handling capability	80 multiple kA (test pulse 8/20 μs)
Residual pulse energy	10 μJ typically (test pulse 4 kV 1.2/50 μs / 2 kA 8/20 μs) main path - protected side

#### Mechanical Data

Number of matings	500
Weight	376 g

#### Environmental Data

Operating temperature	-40 °C to +85 °C
Waterproof degree	IP65 (according to IEC 60529, data refer to the coupled state)
2011/65/EU (RoHS - including 2015/863 and 2017/2102)	compliant

#### Material Data

Piece Parts	Material	Surface Plating
Housing	Brass	SUCOPLATE (R) Plating
Port 1 center contact	Copper Beryllium Alloy	Silver Plating
Port 2 center contact	Copper Beryllium Alloy	Silver Plating

### Related Documents

Outline drawing	DOU-00003839.1
Mounting instruction	DOC-0000176104