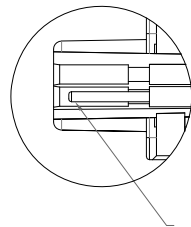
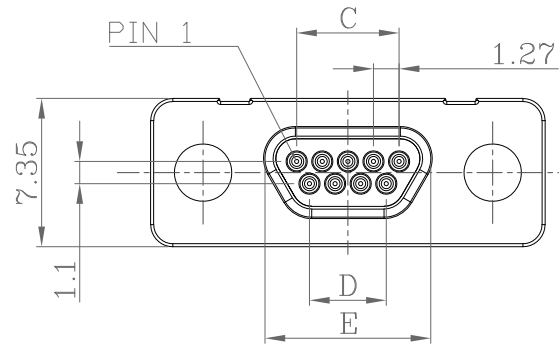
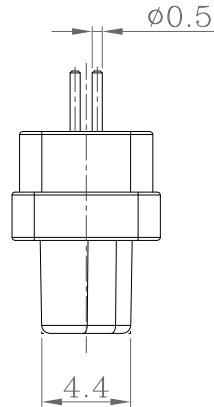
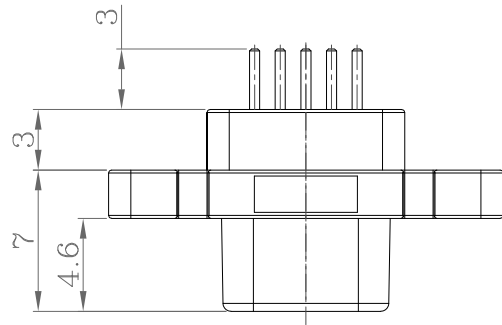
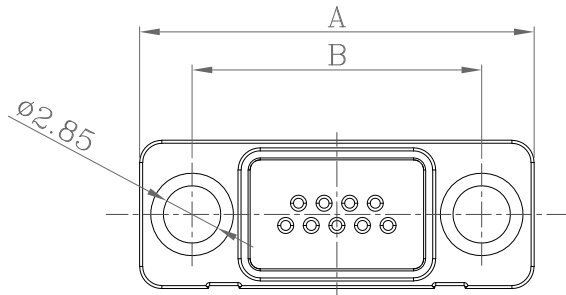


NOTE:

MATERIAL	
INSULATOR	LCP UL94V-0, BLACK
CONTACT	BRASS, 15u" GOLD PLATING
SHELL	ZINC ALLOY, NICKEL 60u"-100u"
ELECTRICAL	
RATED CURRENT	2A
VOLTAGE	60VDC
INSULATOR RESISTANCE	1000 MOhms MIN.
CONTACT RESISTANCE	30 mOhms MAX.
ENVIRONMENT	
OPERATION TEMPERATURE	-40°C TO +125°C
PROCESS TEMPERATURE	260°C

*NOT DESIGNED TO MATE WITH NORCOMP 380 // 381 // 960 SERIES & NORCOMP MICRO-D CABLE ASSEMBLIES USING THE 960 SERIES CONNECTORS.

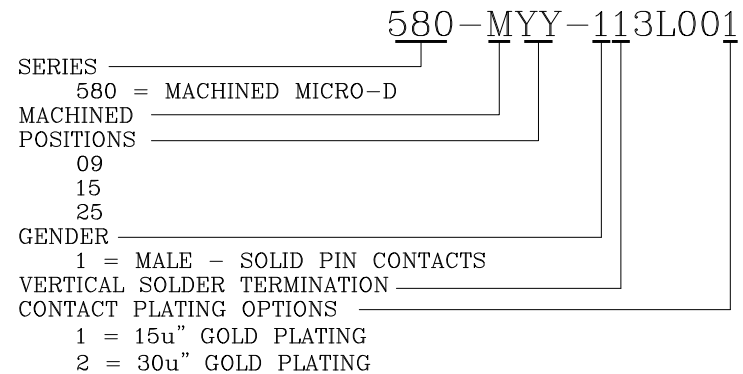
**DESIGNED TO MATE WITHIN NORCOMP 58Y-M SERIES MICRO-D CONNECTORS



NESTED PLUG CONTACT

USE ABOVE FRONT FACE DIMENSIONS FOR PCB LAYOUT DESIGN. 0.8mm HOLE SIZE IS RECOMMENDED.

DIMENSIONS(mm)					
SIZE	A	B	C	D	E
9	19.55	14.35	5.08	3.81	8.20
15	23.36	18.20	8.89	7.62	12.00
25	29.70	24.55	15.24	13.97	18.35



RoHS COMPLIANT



THESE DRAWINGS AND SPECIFICATIONS ARE THE PROPERTY OF NorComp AND SHALL NOT BE REPRODUCED, COPIED OR USED AS THE BASIS FOR THE MANUFACTURE OR SALE OF APPARATUS WITHOUT WRITTEN PERMISSION.

DRAWN:
J. KADEL
DATE:
05/14/2020

TOLERANCES
.x ±0.20
.xx ±0.10
.xxx ±0.05
.xxxx ±0.03
ANGULAR ±1°

UNITS = mm

DO NOT SCALE FROM DRAWING

NorComp

SCALE: NTS	SHEET 1	OF 1	REV 5
DWG NO. 580-MYY-113L001			