

**PLEASE CHECK WWW.MOLEX.COM FOR LATEST PART INFORMATION**

**Part Number:** [0760151125](#)

**Status:** **Active**

**Overview:** GbX I-Trac™ Backplane Connector System

**Description:** GbX I-Trac™ Vertical Header Module, 1.85mm by 3.70mm Pitch, Unguided, Dual End Walls, 7 Rows, 10 Columns, 140 Circuits, Staggered Mating Pin Length 4.70mm & 5.70mm, Lead-Free

**Documents:**

[3D Model](#)

[Drawing \(PDF\)](#)

[Packaging Specification PK-70873-802 \(PDF\)](#)

[RoHS Certificate of Compliance \(PDF\)](#)

**Agency Certification**

UL E29179

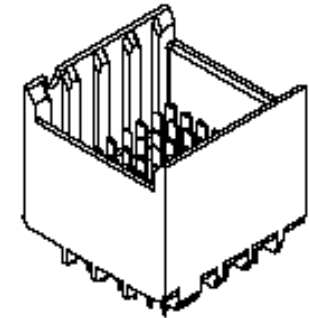
**General**

Product Family	Backplane Connectors
Series	<a href="#">76015</a>
Application	Backplane, Midplane, Orthogonal
Component Type	PCB Header
Overview	<a href="#">GbX I-Trac™ Backplane Connector System</a>
Product Name	GbX I-Trac™
UPC	883906576523

**Physical**

Circuits (Loaded)	140
Circuits (maximum)	140
Color - Resin	Black
Durability (mating cycles max)	200
First Mate / Last Break	Yes
Flammability	94V-0
Guide to Mating Part	No
Keying to Mating Part	None
Material - Metal	High Performance Alloy (HPA)
Material - Plating Mating	Gold
Material - Plating Termination	Tin
Material - Resin	High Temperature Thermoplastic
Net Weight	5.852/g
Number of Columns	10
Number of Pairs	4, Open Pin Field
Number of Rows	7
Orientation	Vertical
PC Tail Length	2.10mm
PCB Locator	No
PCB Retention	None
PCB Thickness - Recommended	1.60mm
Packaging Type	Tray
Pitch - Mating Interface	1.85mm, 3.70mm
Pitch - Termination Interface	1.00mm, 2.70mm
Plating min - Mating	0.762µm
Plating min - Termination	0.762µm
Polarized to PCB	No
Stackable	Yes
Surface Mount Compatible (SMC)	Yes
Temperature Range - Operating	85°C
Termination Interface: Style	Through Hole - Compliant Pin

**Electrical**



Series image - Reference only

**EU ELV**

**Not Relevant**

**EU RoHS**

**Compliant**

**REACH SVHC**

Not Contained Per - ED/21/2016 (20 June 2016)

**Halogen-Free**

**Status**

**Low-Halogen**

**Need more information on product environmental compliance?**

Email [productcompliance@molex.com](mailto:productcompliance@molex.com)  
Please visit the [Contact Us](#) section for any non-product compliance questions.

China ROHS

ELV

Green Image

Not Relevant

**Search Parts in this Series**

[76015](#) Series

**Mates With**

[76020](#) GbX I-Trac™ Right Angle Receptacle Module

**Use With**

[78227](#) GbX I-Trac™ Vertical Power Receptacle. [75234](#) Backplane Free Standing Guide Pin

**Application Tooling | FAQ**

*Tooling specifications and manuals are found by selecting the products below. Crimp Height Specifications are then contained in the Application Tooling Specification document.*

**Global**

**Description**

**Product #**

Current - Maximum per Contact	1.0A
Data Rate	12.0 Gbps
Shield Type	N/A
Shielded	No
Voltage - Maximum	120V AC (RMS)/DC

**Material Info**

**Reference - Drawing Numbers**

Packaging Specification	PK-70873-802
Sales Drawing	SD-76015-001

Backplane Insertion	<u>0621005110</u>
Tool for Signal	
Contact Insertion	
Press-In Tool for	<u>0622018609</u>
Vertical Header 7-	
Row, 10-Column	

This document was generated on 07/11/2016

**PLEASE CHECK [WWW.MOLEX.COM](http://WWW.MOLEX.COM) FOR LATEST PART INFORMATION**