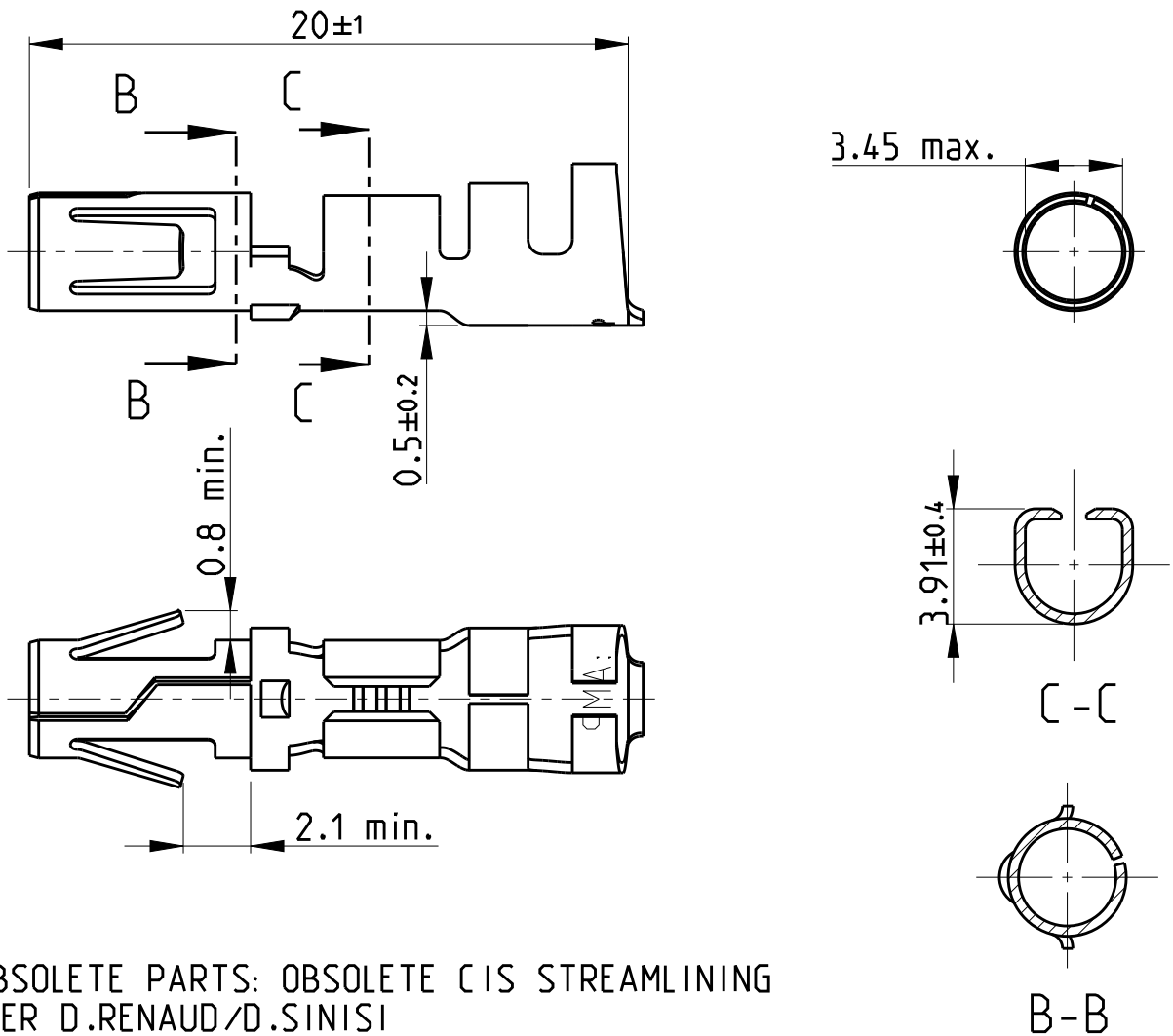


REVISIONS

P	LTR	DESCRIPTION	DATE	DWN	APVD
N2		REVISED PER ECR-17-006577	15MAY2017	JB	DZ
N3		REVISED PER ECR-20-005051	27OCT2020	SS	VS



NOTE:

1 OBSOLETE PARTS: OBSOLETE CIS STREAMLINING PER D.RENAUD/D.SINISI

OBSELETE	2.1-5.3mm <sup>2</sup>	max. 4.5mm	Bronze	None	925663-5
OBSELETE	2.1-5.3mm <sup>2</sup>	max. 4.5mm	Bronze	Plain	925663-4
1 OBSELETE	2.1-5.3mm <sup>2</sup>	max. 4.5mm	Bronze	Silver	925663-3
OBSELETE	2.1-5.3mm <sup>2</sup>	max. 4.5mm	Bronze	Pre-tin	925663-2
	2.1-5.3mm <sup>2</sup>	max. 4.5mm	Brass	Pre-tin	925663-1
	DGB	Insulation Ø	Material	Finish	Part no.

2008

RELEASED FOR PUBLICATION

ALL RIGHTS RESERVED.

THIS DRAWING IS UNPUBLISHED.

BY -

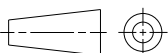
© COPYRIGHT 2008

DIMENSIONS:

mm

TOLERANCES UNLESS OTHERWISE SPECIFIED:

0	PLC	±
1	P/C	±
2	PLC	±0.4
3	P/C	±
4	PLC	±
ANGLES		±1° 30'



DWN 26NOV2008

J. Salo

CHK 26NOV2008

R. Sole

APVD 26NOV2008

P.E.Grassano

PRODUCT SPEC

-

APPLICATION SPEC

-

WEIGHT

-

MATERIAL

-

FINISH

-



TE Connectivity

NAME .140 DIA SOCKET

-

SIZE CAGE CODE DRAWING NO RESTRICTED TO

A4 - C-925663

CUSTOMER DRAWING

SCALE 4:1

SHEET 1 OF 1

REV N3