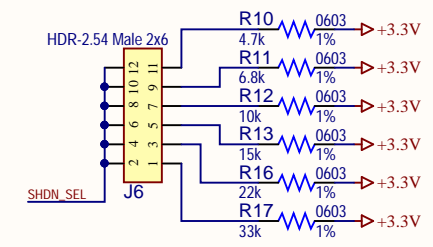
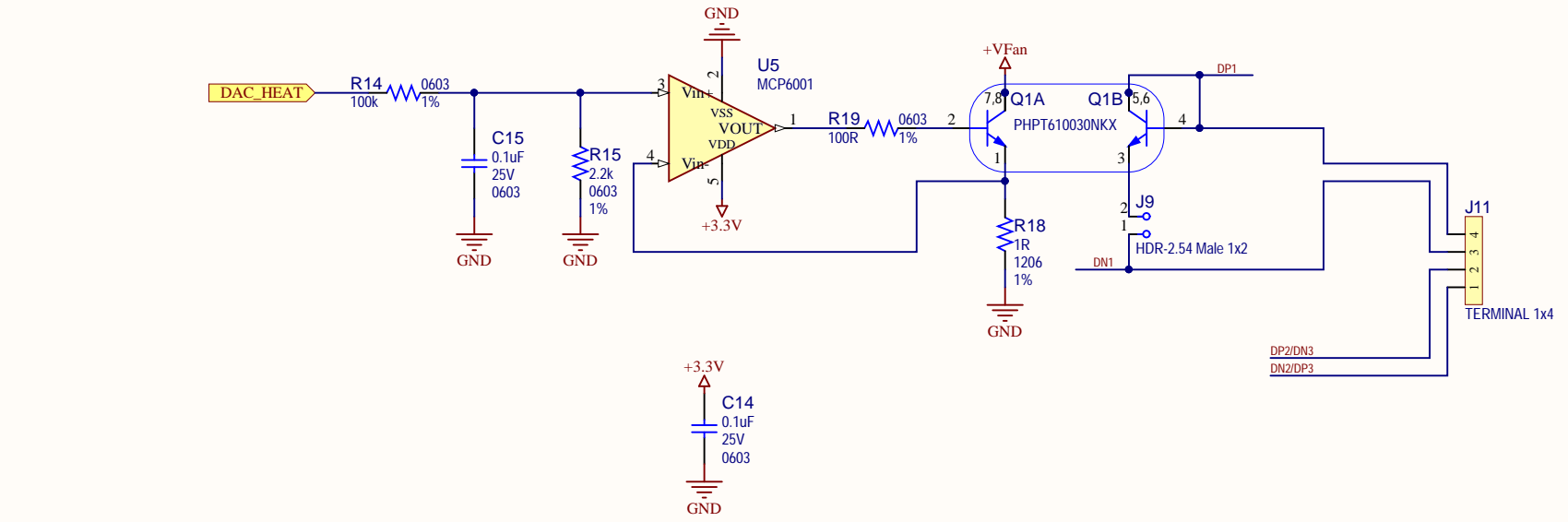
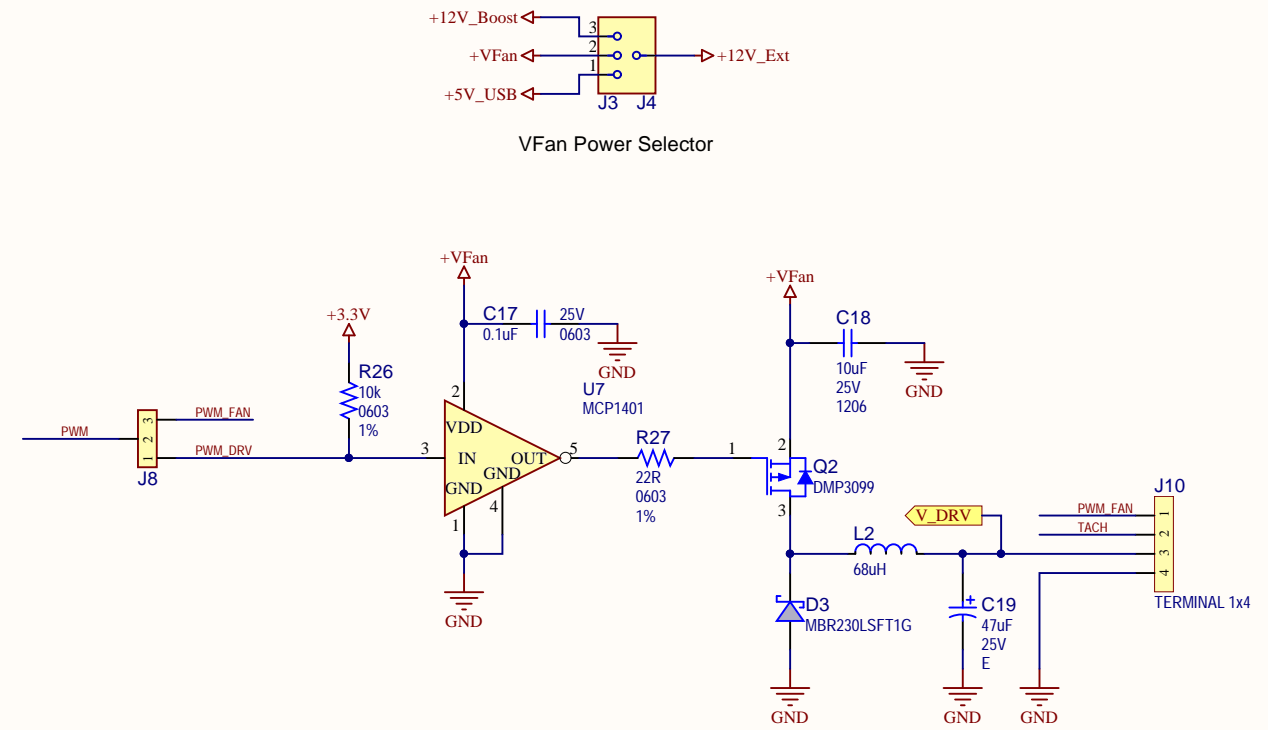
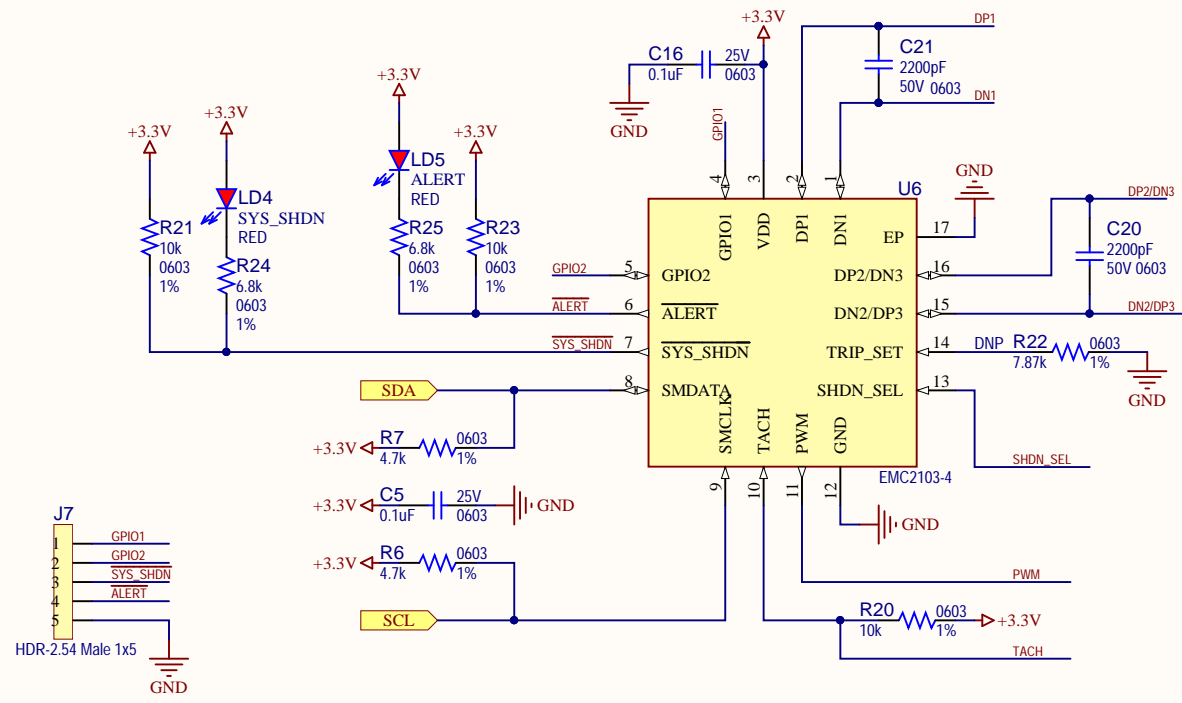
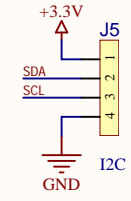
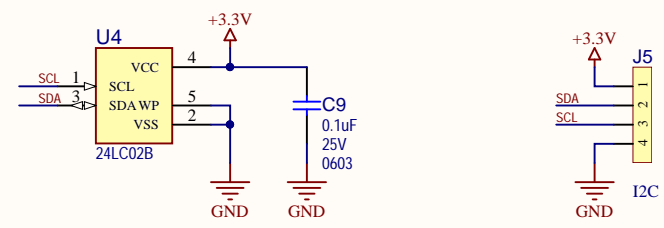
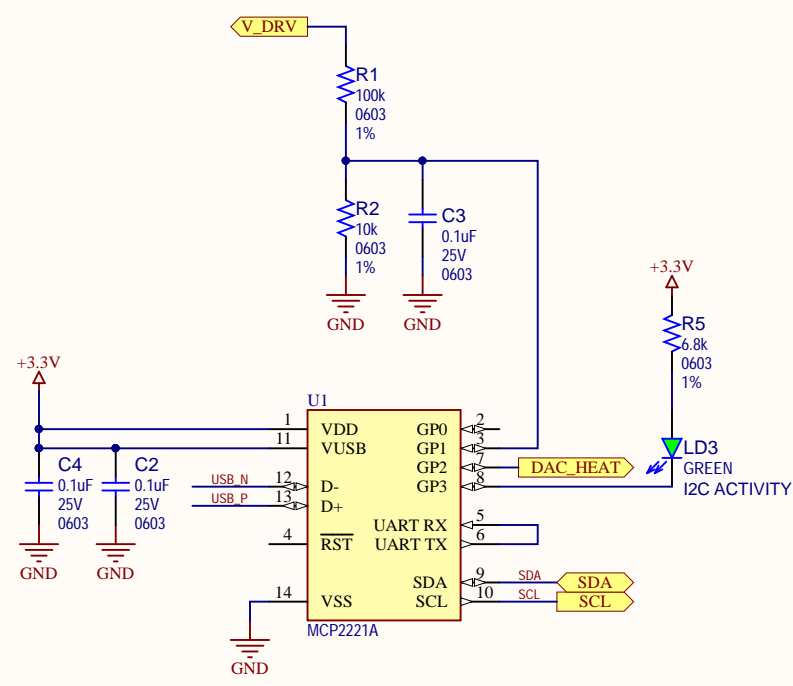
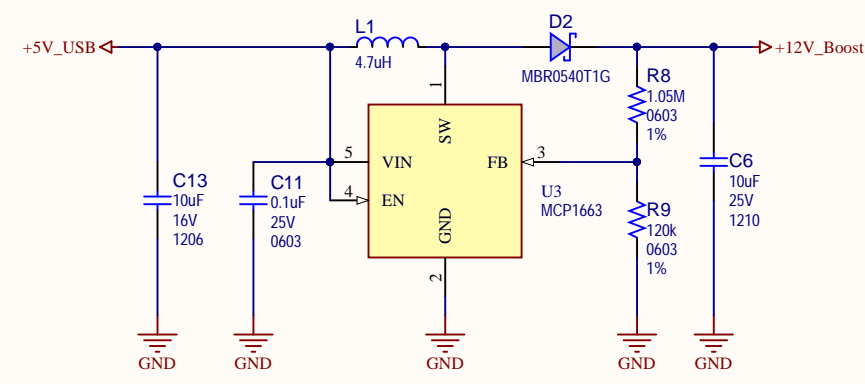
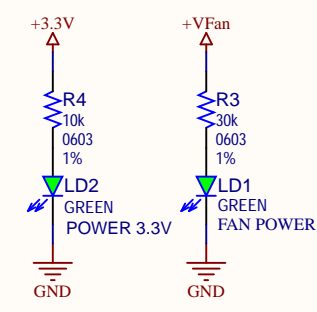
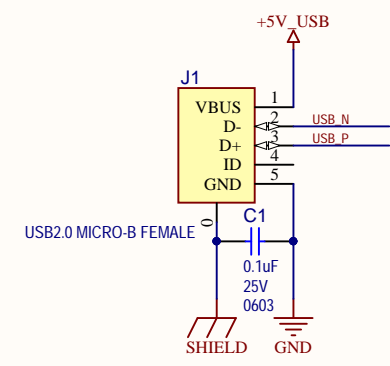
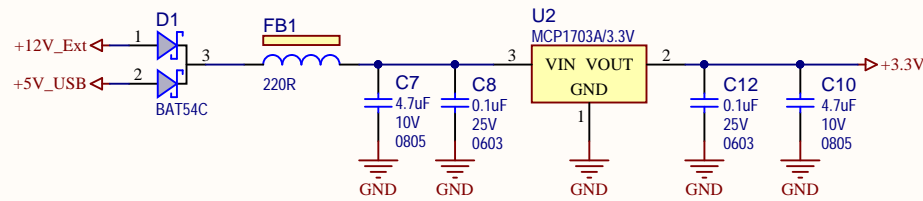
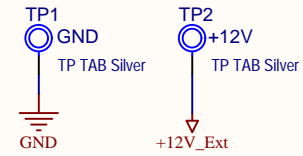
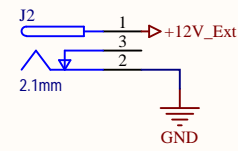


Drawn By: Ana Margeruseanu		
Engineer: Bogdan Popescu		
PartNumber: ADM00902	Project Title EMC2103-3 Fan Ctrl with Look-up Table	
Sheet Title Block Diagram		Designed with
Size B	Sch #03-10801	Date: 5/20/2019 4:29:11 PM
	Revision:3	Sheet 1 of 4
File: Block Diagram.SchDoc		



















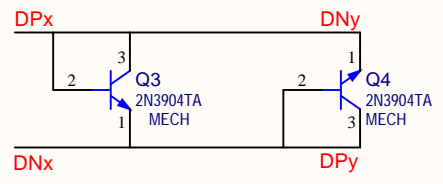
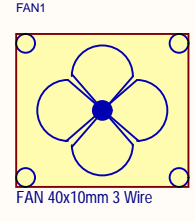
Drawn By: Ana Margeruseanu		
Engineer: Bogdan Popescu		
PartNumber: ADM00902	Project Title EMC2103-3 Fan Ctrl with Look-up Table	
Sheet Title EMC2103-4		Designed with
Size B	Sch #03-10801	Date: 5/20/2019 4:29:11 PM
	Revision:3	Sheet 2 of 4
File: EMC2103-4.SchDoc		



Drawn By: Ana Margeruseanu		
Engineer: Bogdan Popescu		
PartNumber: ADM00902	Project Title EMC2103-3 Fan Ctrl with Look-up Table	
Sheet Title Interface & Power		Designed with
Size B	Sch #03-10801	Date: 5/20/2019 4:29:12 PM
	Revision:3	Sheet 3 of 4
File: Interface & Power.SchDoc		

REV	ECO#	DESCRIPTION	DATE

- PAD1**

 RUBBER PAD D9.4 H4.8
- SCR1**

 Screw M3x16mm Nylon
- SCR2**

 Screw M3x16mm Nylon
- SCR3**

 Screw M3x16mm Nylon
- SCR4**

 Screw M3x16mm Nylon
- PAD3**

 RUBBER PAD D9.4 H4.8
- STANDOFF1**

 Standoff M3 Nylon 10mm
- STANDOFF2**

 Standoff M3 Nylon 10mm
- STANDOFF3**

 Standoff M3 Nylon 10mm
- STANDOFF4**

 Standoff M3 Nylon 10mm
- PAD4**

 RUBBER PAD D9.4 H4.8
- NUT1**

 Nut M3 Nylon
- NUT2**

 Nut M3 Nylon
- NUT3**

 Nut M3 Nylon
- NUT4**

 Nut M3 Nylon
- PAD2**

 RUBBER PAD D9.4 H4.8




LABEL1

Need Help?
<http://support.microchip.com>

MICROCHIP
 Assy# Serial #

Label Need Help Large

Drawn By: Ana Margeruseanu		
Engineer: Bogdan Popescu		
PartNumber: ADM00902	Project Title EMC2103-3 Fan Ctrl with Look-up Table	
Sheet Title Mechanical		<i>Designed with</i> Altium
Size B	Sch #03-10801 Revision:3	Date: 5/20/2019 4:29:12 PM Sheet 4 of 4
File: Mechanical.SchDoc		