

GaAs Digital Attenuator 31 dB, 5 - Bit, DC - 2 GHz

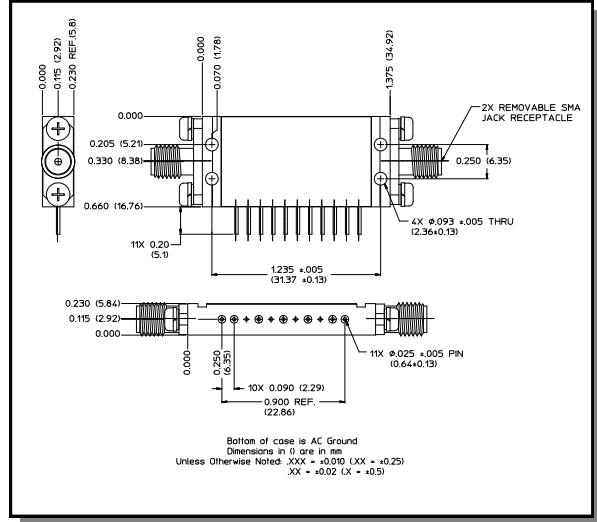
Rev. V4

Features

- n Attenuation 1 dB Steps to 31 dB
- n TTL Control Interface
- n Hermetic Connectorized Housing

Description

C-46



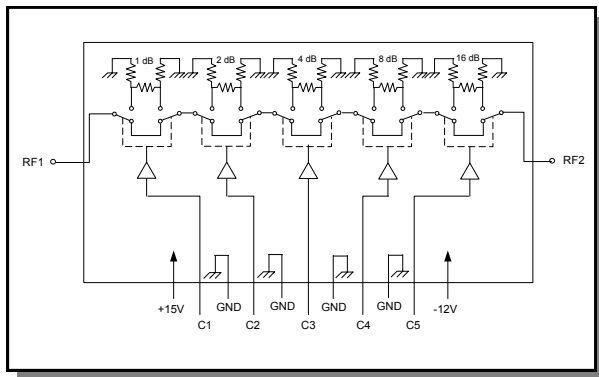
Electrical Specifications ¹: T_A = -55°C to +85°C

Parameter	Test Conditions	Frequency	Units	Min	Typ	Max
Nominal Attenuation ²	1 dB Steps to 31 dB					
Attenuation Accuracy		DC - 1.0 GHz 1.0 - 2.0 GHz		± (0.2 dB +2% of Atten Setting in dB) dB ± (0.2 dB +2% of Atten Setting in dB) dB		
VSWR		DC - .025 GHz .025 - 0.5 GHz 0.2 - 2.0 GHz 0.5 - 1.0 GHz	Ratio	—	—	2.2:1 1.8:1 1.5:1 1.4:1
Reference Insertion Loss		DC - 0.5 GHz 0.5 - 1.0 GHz 1.0 - 2.0 GHz	dB	—	—	5.5 6.0 6.5
Impedance	—	—	Ohms	—	50	—
T _{on} T _{off}	50% CTL to 90% RF 50% CTL to 10% RF	—	ns	—	160	—
Trise Tfall	10% RF to 90% RF 90% RF to 10% RF	—	ns	—	15 3	—
Transients	Unfiltered	—	mV	—	130	—
1 dB Compression	Input Power	0.5 - 2.0 GHz 0.05 GHz	dBm	—	28	—
IP2	Two-Tone Input Power up to +5 dBm	0.5 - 2.0 GHz 0.05 GHz	dBm	—	+55 +45	—
IP3	Two-Tone Input Power up to +5 dBm	0.5 - 2.0 GHz 0.05 GHz	dBm	—	+47 +28	—

Electrical Specifications ¹: T_A = -55°C to +85°C

Parameter	Test Conditions	Frequency	Units	Min	Typ	Max
Bias Power	+15 VDC	—	mA	—	—	5
	-12 VDC	—	mA	—	—	3
Vin Low (0)	0.0 to 0.8V	—	μA	—	—	1
Vin High (1)	2.4 to 5.0V	—	μA	—	—	1

Functional Schematic (Top View)



Truth Table

Control Input					Attenuation Setting
C1	C2	C3	C4	C5	
0	0	0	0	0	Reference
1	0	0	0	0	1 dB
0	1	0	0	0	2 dB
0	0	1	0	0	4 dB
0	0	0	1	0	8 dB
0	0	0	0	1	16 dB
Any Combination					Sum of Bits Selected

Absolute Maximum Ratings ⁴

Parameter	Absolute Maximum
Max Input Power 0.05 GHz 0.5 - 2.0 GHz	+27 dBm +32 dBm
Bias Voltage +15V Supply (V+) -12V Supply (V-)	-0.7V to +18V -15V to +0.7V
Control Voltage	(V-) -2V to (V+) +2V (or 30 mA, whichever comes first)
Operating Temperature	-55°C to +125°C
Storage Temperature	-65°C to +150°C

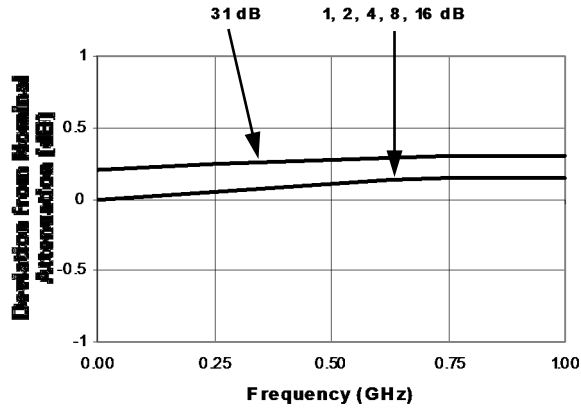
"1" = Logic High (TTL)

"0" = Logic Low (TTL)

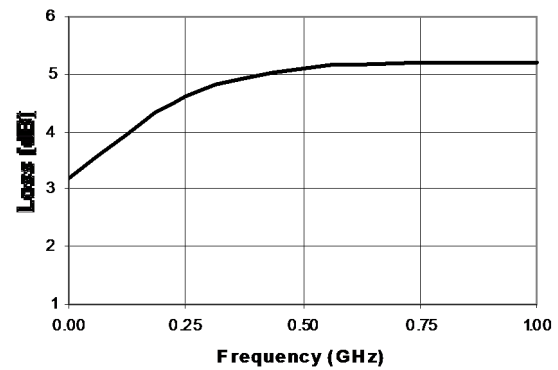
4. Operation of this device above any one of these parameters may cause permanent damage.

Typical Performance Curves

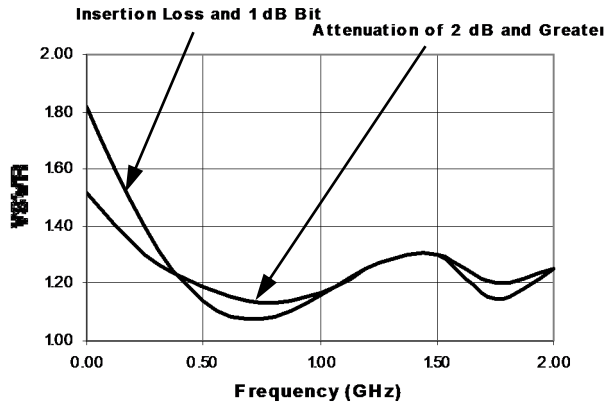
Attenuation Flatness vs. Frequency



Ref. Insertion Loss vs. Frequency



VSWR vs. Frequency



Ordering Information

Part Number	Package
AT-357 SMA	C-46

M/A-COM Technology Solutions Inc. All rights reserved.

Information in this document is provided in connection with M/A-COM Technology Solutions Inc ("MACOM") products. These materials are provided by MACOM as a service to its customers and may be used for informational purposes only. Except as provided in MACOM's Terms and Conditions of Sale for such products or in any separate agreement related to this document, MACOM assumes no liability whatsoever. MACOM assumes no responsibility for errors or omissions in these materials. MACOM may make changes to specifications and product descriptions at any time, without notice. MACOM makes no commitment to update the information and shall have no responsibility whatsoever for conflicts or incompatibilities arising from future changes to its specifications and product descriptions. No license, express or implied, by estoppel or otherwise, to any intellectual property rights is granted by this document.

THESE MATERIALS ARE PROVIDED "AS IS" WITHOUT WARRANTY OF ANY KIND, EITHER EXPRESS OR IMPLIED, RELATING TO SALE AND/OR USE OF MACOM PRODUCTS INCLUDING LIABILITY OR WARRANTIES RELATING TO FITNESS FOR A PARTICULAR PURPOSE, CONSEQUENTIAL OR INCIDENTAL DAMAGES, MERCHANTABILITY, OR INFRINGEMENT OF ANY PATENT, COPYRIGHT OR OTHER INTELLECTUAL PROPERTY RIGHT. MACOM FURTHER DOES NOT WARRANT THE ACCURACY OR COMPLETENESS OF THE INFORMATION, TEXT, GRAPHICS OR OTHER ITEMS CONTAINED WITHIN THESE MATERIALS. MACOM SHALL NOT BE LIABLE FOR ANY SPECIAL, INDIRECT, INCIDENTAL, OR CONSEQUENTIAL DAMAGES, INCLUDING WITHOUT LIMITATION, LOST REVENUES OR LOST PROFITS, WHICH MAY RESULT FROM THE USE OF THESE MATERIALS.

MACOM products are not intended for use in medical, lifesaving or life sustaining applications. MACOM customers using or selling MACOM products for use in such applications do so at their own risk and agree to fully indemnify MACOM for any damages resulting from such improper use or sale.

4

M/A-COM Technology Solutions Inc. (MACOM) and its affiliates reserve the right to make changes to the product(s) or information contained herein without notice.
Visit www.macom.com for additional data sheets and product information.