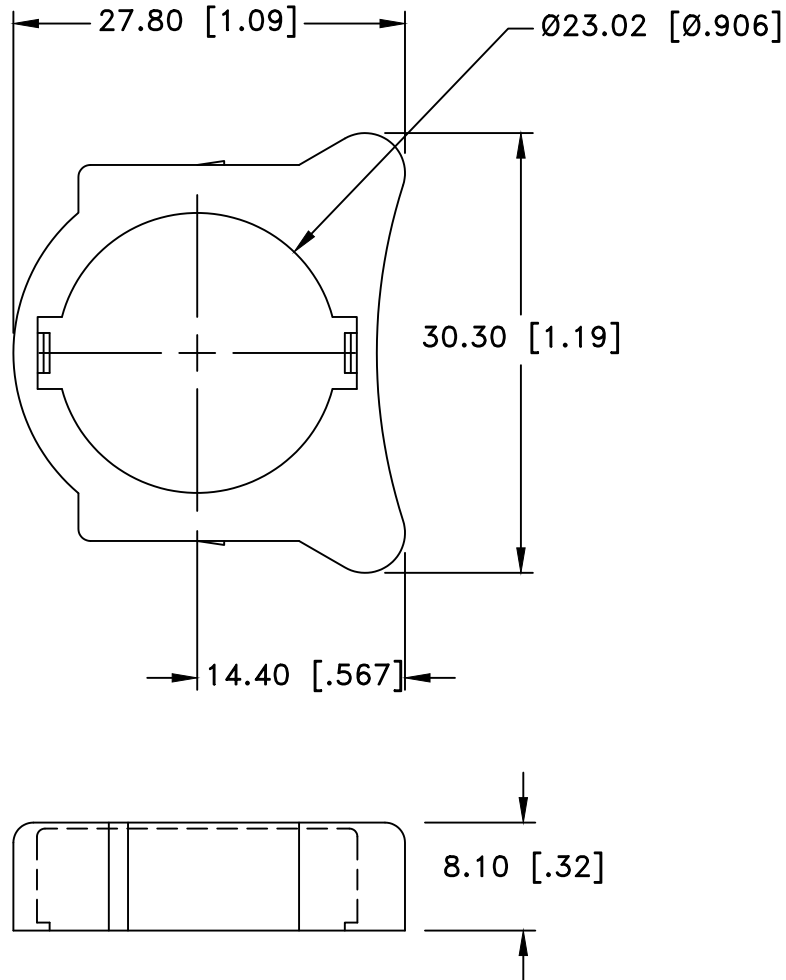



Date	SYM	REVISION RECORD	AUTH	DR.	CK.
01/29/16	B	ADDED UL FILE NO. AND TEMP. RANGE	T.B.	B.S.	
12/12/19	C	ADDED WEIGHT OF THE PART	T.B.	B.S.	



SPECIFICATIONS:

- * Material- Polypropylene, PP-1040, Off White
- * UL File no. E216959
- * UL Flammability Rating: UL 94-HB
- * Temperature Range: -30°C to +100°C
- * Approximate weight: 0.80g
- * ROHS COMPLIANT

Tolerance (Except as noted)	 Memory Protection Devices, Inc 200 Broad Hollow Road, Farmingdale, New York 11735	Scale	Drawn By B.S.
			Approved By T.B.
decimal ±.5 (.020)	Title CR2477 BATTERY INSULATOR		
Fractional ± .8 (.030)	Date 12/12/19	Drawing Number BRX1-0001	
Angular ± 3°			