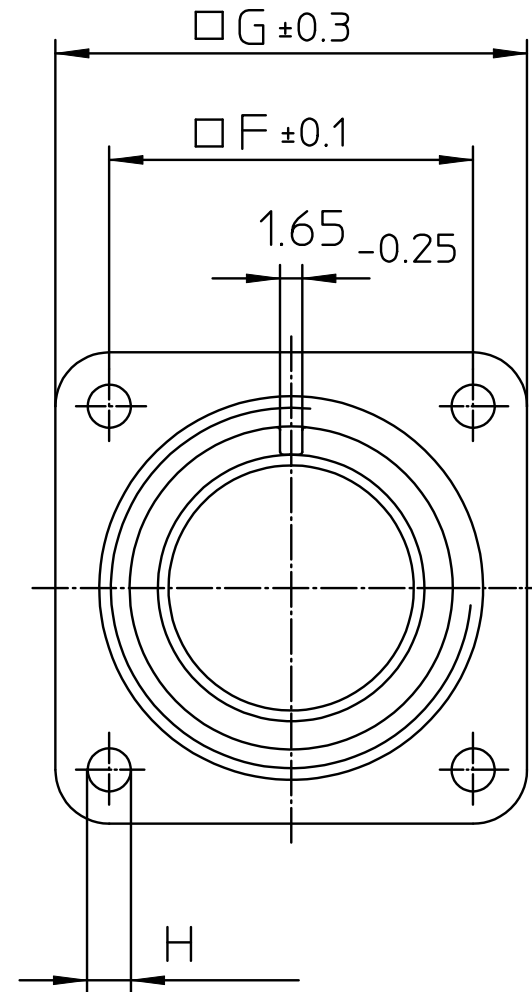
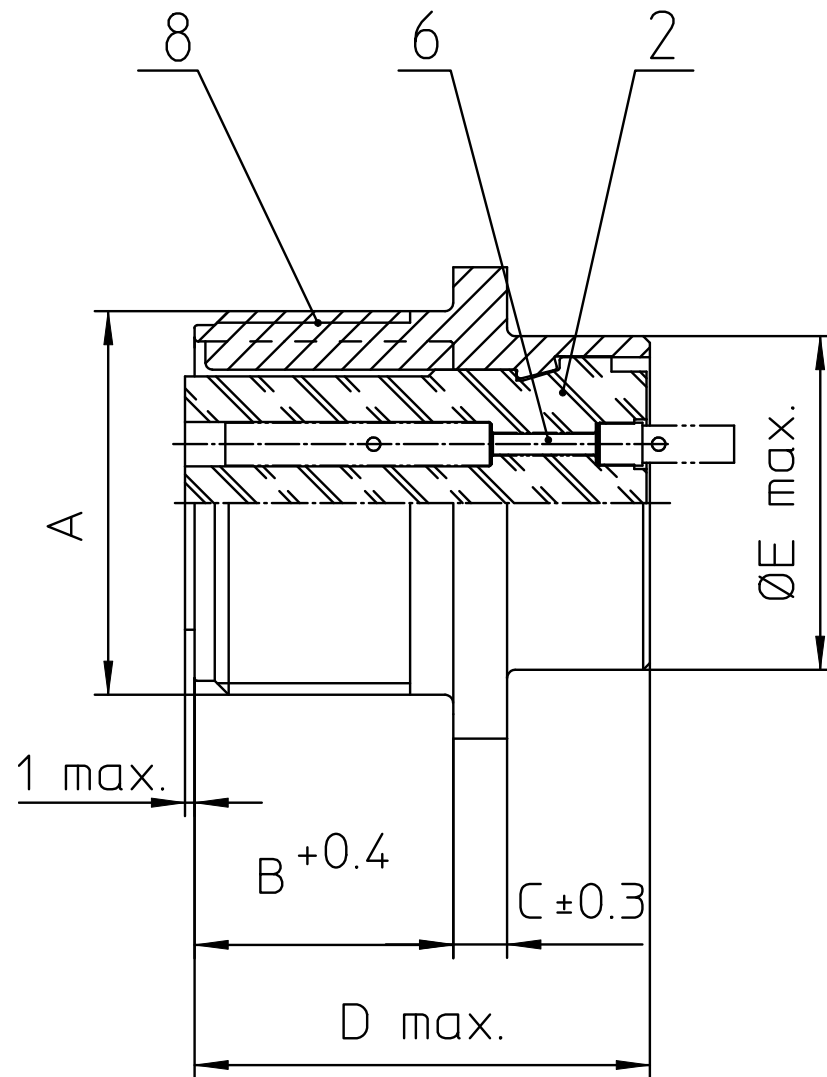
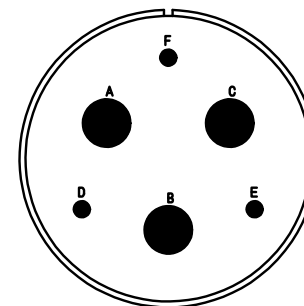


| NO. | MASSE / DIMENSION |
|-----|-------------------|
| A   | 1 3/4-18NS-2A     |
| B   | 20.6              |
| C   | 4                 |
| D   | 34.2              |
| E   | 41.2              |
| F   | 39.7              |
| G   | 50.8              |
| H   | 3.7               |



| NO. | BESCHREIBUNG / DESCRIPTION              |
|-----|---|
| 2   | ISOLIERKÖRPER BUCHSE / INSULATOR SOCKET |
| 6   | KONTAKTBUCHSE / CONTACT SOCKET          |
| 8   | DOSENGEHÄUSE / SHELL                    |



Note: Due to an automatic nomenclature system, numbers generated may not be sequential.  
 Specification and Dimensions subject to change  
 Drawings illustrate normal insulator positioning

| Material Specification: |  |
|-------------------------|--|
| Shell Material:         | Aluminium alloy                                  |
| Shell Plating:          | Olive drab chromate coating over cadmium plating |
| Insulator Material:     | Neoprene   |
| Contact Material:       | Copper alloy                                     |
| Contact Plating:        | Hard silver                                      |

all dimensions are in mm  
 Dimensions without tolerance indications are general tolerances in acc. with DIN7168m

drawing for  
**CUSTOMER**

description **CA3102E28-22SW-F80**  
 Box mounting receptacle

**ITT**  
 Engineered for life  
 ITT CANNON GmbH  
 D - 71384 Weinstadt/Germany

AWG Crimp / Socket / Layout: 28-22

© All rights reserved. Reproduction or issue to third in any form  
 whatever is only permitted with written authorization of ITT Cannon

page 1/1  
 revision 929 11. Jun 19