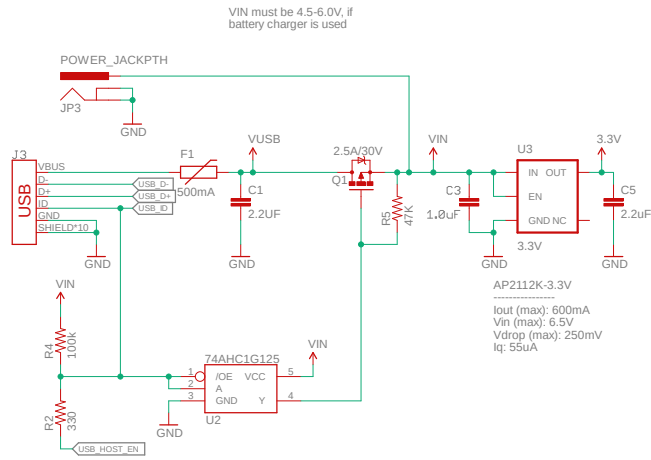


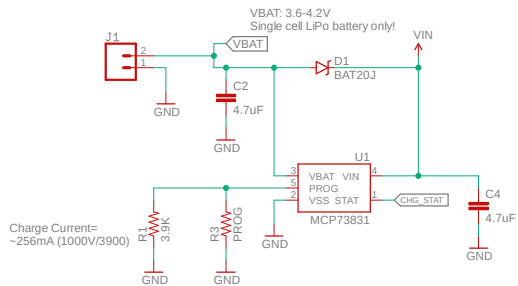
USB / Voltage Regulator



USB Host/Device Control

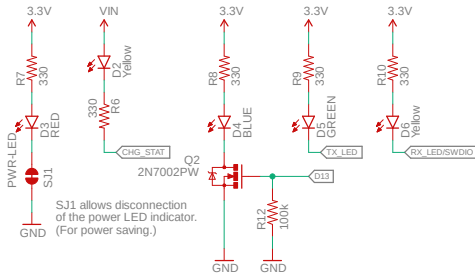
- USB_ID High: Y high, Q1 off
- USB_ID Low: Y low, Q1 on
- Set USB_HOST_EN low to turn Q1 on and route power OUT the board.
- USB_HOST_EN floating or HIGH turns Q1 off. USB supply flows through Q1 body diode.

Battery Input & Charge

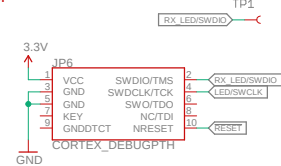


Charge Current = ~256mA (1000V/3900)

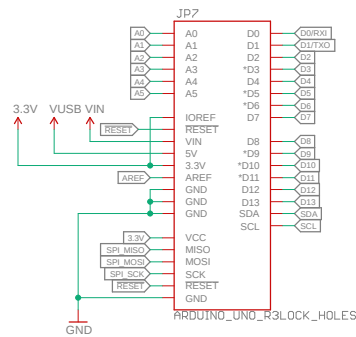
LEDs!!!



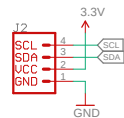
Cortex Debug/ Program Connector



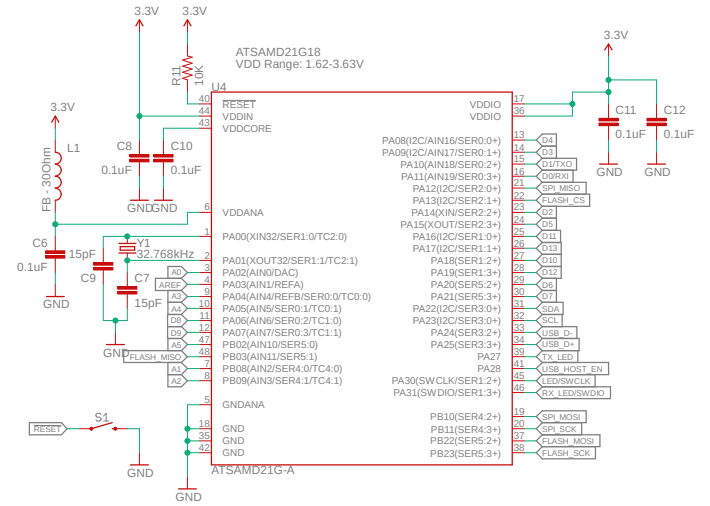
Arduino R3 Headers



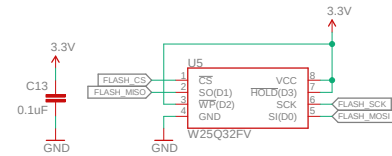
QWIIC Connector



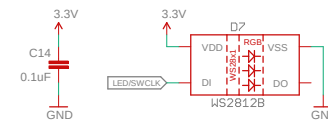
ATSAMD21G



Flash Memory



WS2812 LED



Released under the Creative Commons Attribution Share-Alike 4.0 License
<https://creativecommons.org/licenses/by-sa/4.0/>

TITLE: RedBoard_Turbo

Design by: Mike Hord

Date: 12/7/2018 2:00 PM

Based on: Arduino Zero by Arduino.cc
 Arduino M0 by Arduino.org

REV: v10

Sheet: 1/1

