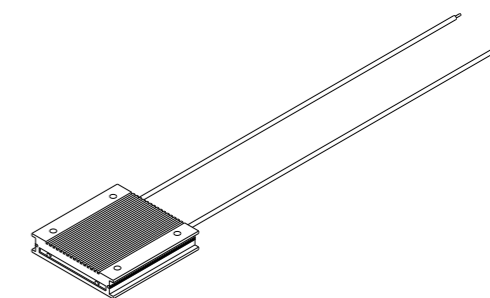
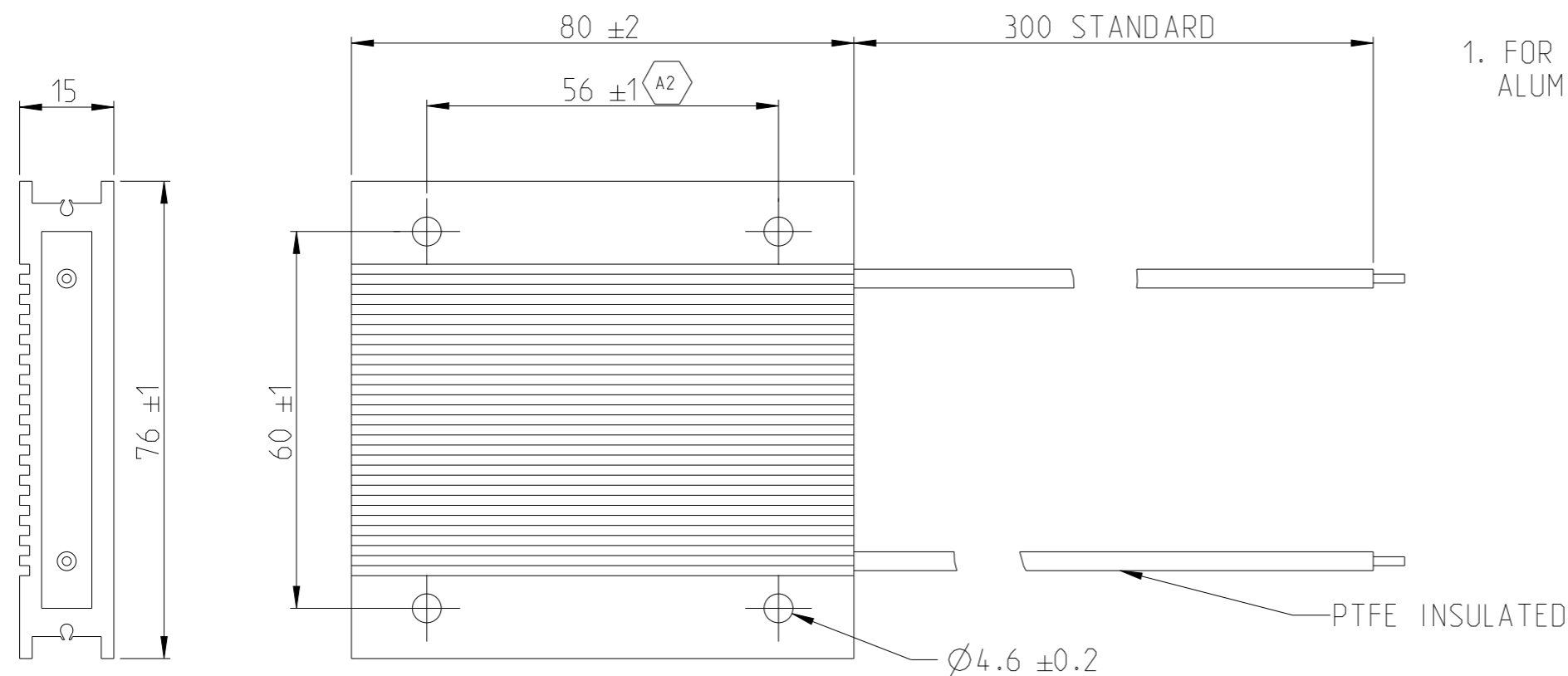


P	LTR	DESCRIPTION	DATE	DWN	APVD
	A	INITIAL RELEASE	04MAR2020	SR	AP
	A1	NEW PRODUCT INTRODUCTION	14JUL2022	DM	AP
	A2	MOUNTING HOLE PITCH TOLERANCE CHANGE	21SEP2022	DM	AP

NOTE

1. FOR FURTHER INFORMATION PLEASE SEE DATASHEET FOR ALUMINIUM HOUSED BRAKING RESISTOR - TYPE HCF SERIES



1:5

THIS DRAWING IS A CONTROLLED DOCUMENT.

DWN SUPREETH R 04MAR2020

CHK A. PILE 04MAR2020

APVD A. PILE 04MAR2020

PRODUCT SPEC

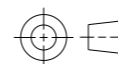
APPLICATION SPEC

WEIGHT -

CUSTOMER DRAWING

DIMENSIONS:

mm



TOLERANCES UNLESS OTHERWISE SPECIFIED:

0 PLC	±
1 PLC	±
2 PLC	±
3 PLC	±
4 PLC	±
ANGLES	±

MATERIAL

-

-

-

FINISH

-

-

-



TE Connectivity

NAME ALUMINIUM HOUSED BRAKING RESISTOR -TYPE HCF80 SERIES

SIZE CAGE CODE DRAWING NO RESTRICTED TO

A3 00779 C=2176442

SCALE 1:1 SHEET 1 OF 2 REV A2

REVISIONS

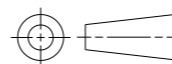
P	LTR	DESCRIPTION	DATE	DWN	APVD
-		SEE SHEET 1	-	-	-

SCHEDULE

TCPN	CATALOGUE NUMBER	PART DESCRIPTION	PART STATUS
2176442-1	HCF80J4R7J	HCF80 75W 4R7 5% LEAD	PRODUCTION
2176442-2	HCF80J10RJ	HCF80 75W 10R 5% LEAD	PRODUCTION
2176442-3	HCF80J22RJ	HCF80 75W 22R 5% LEAD	PRODUCTION
2176442-4	HCF80J33RJ	HCF80 75W 33R 5% LEAD	PRODUCTION
2176442-5	HCF80J47RJ	HCF80 75W 47R 5% LEAD	PRODUCTION
2176442-6	HCF80J68RJ	HCF80 75W 68R 5% LEAD	PRODUCTION
2176442-7	HCF80J100RJ	HCF80 75W 100R 5% LEAD	PRODUCTION
2176442-8	HCF80J150RJ	HCF80 75W 150R 5% LEAD	PRODUCTION
2176442-9	HCF80J220RJ	HCF80 75W 220R 5% LEAD	PRODUCTION
1-2176442-0	HCF80J330RJ	HCF80 75W 330R 5% LEAD	PRODUCTION
1-2176442-1	HCF80J470RJ	HCF80 75W 470R 5% LEAD	PRODUCTION
1-2176442-2	HCF80J680RJ	HCF80 75W 680R 5% LEAD	PRODUCTION
1-2176442-3	HCF80J1K0J	HCF80 75W 1K0 5% LEAD	PRODUCTION
1-2176442-4	HCF80J6R8J	HCF80 75W 6R8 5% LEAD	PRODUCTION

THIS DRAWING IS A CONTROLLED DOCUMENT.

DIMENSIONS:
mm



TOLERANCES UNLESS OTHERWISE SPECIFIED:

0 PLC	±
1 PLC	±
2 PLC	±
3 PLC	±
4 PLC	±
ANGLES	±
FINISH	-

MATERIAL

-

DWN SUPREETH R 04MAR2020

CHK A. PILE 04MAR2020

APVD A. PILE 04MAR2020

PRODUCT SPEC

APPLICATION SPEC

WEIGHT

-

CUSTOMER DRAWING



TE Connectivity

NAME ALUMINIUM HOUSED BRAKING RESISTOR -TYPE HCF80 SERIES

SIZE	CAGE CODE	DRAWING NO	RESTRICTED TO
------	-----------	------------	---------------

A3	00779	©=2176442	-
----	-------	-----------	---

SCALE 1:1	SHEET 2 OF 2	REV A2
-----------	--------------	--------