

THIS DRAWING IS UNPUBLISHED.

RELEASED FOR PUBLICATION

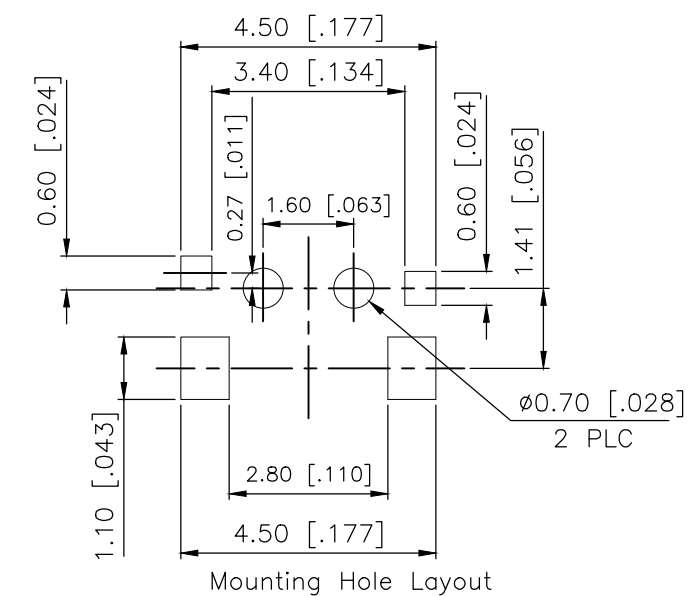
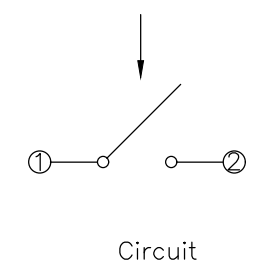
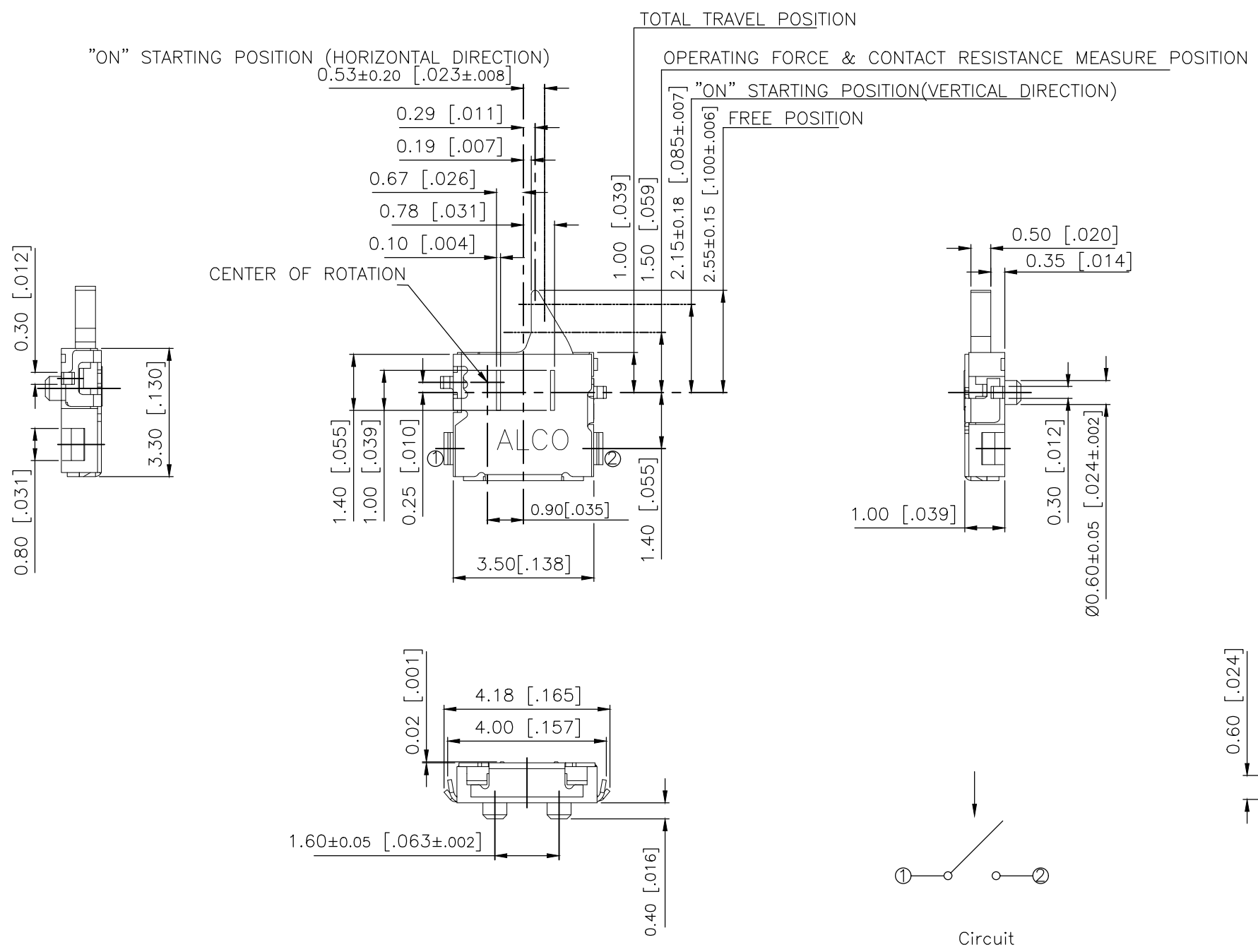
REVISIONS

© COPYRIGHT - TE Connectivity Ltd.

ALL RIGHTS RESERVED.

| P | LTR | DESCRIPTION | DATE | DWN | APVD |
|---|-----|---------------|-----------|-----|------|
| | A | ECR-18-012767 | 14AUG2018 | NG | AS |

2331387-1
AS SHOWN



| | | | | | | | | | | | | | | | | | |
|---|----------------|---------------------------------------|----------------------|-----------|------------|--|----------------|-------|-----|-------|-----|--------|-----|------------------|--|------|---------------|
| THIS DRAWING IS A CONTROLLED DOCUMENT. | | DWN GANESH C M 07MAR2018 | TE Connectivity Ltd. | | | | | | | | | | | | | | |
| DIMENSIONS: mm [INCHES] | | CHK ALEXANDER SHARPE 07MAR2018 | | | | NAME SWITCH, DETECTOR, JJC SERIES, 3.5X3.3mm, HORIZONTAL, SMT, POSTS, OPEN | | | | | | | | | | | |
| TOLERANCES UNLESS OTHERWISE SPECIFIED: | | APVD ALEXANDER SHARPE 07MAR2018 | PRODUCT SPEC | | | | | | | | | | | | | | |
| <table border="0"> <tr><td>0 PLC</td><td>± -</td></tr> <tr><td>1 PLC</td><td>± -</td></tr> <tr><td>2 PLC</td><td>± 0.20 [0.008]</td></tr> <tr><td>3 PLC</td><td>± -</td></tr> <tr><td>4 PLC</td><td>± -</td></tr> <tr><td>ANGLES</td><td>± -</td></tr> </table> | | 0 PLC | ± - | 1 PLC | ± - | 2 PLC | ± 0.20 [0.008] | 3 PLC | ± - | 4 PLC | ± - | ANGLES | ± - | APPLICATION SPEC | | SIZE | RESTRICTED TO |
| 0 PLC | ± - | | | | | | | | | | | | | | | | |
| 1 PLC | ± - | | | | | | | | | | | | | | | | |
| 2 PLC | ± 0.20 [0.008] | | | | | | | | | | | | | | | | |
| 3 PLC | ± - | | | | | | | | | | | | | | | | |
| 4 PLC | ± - | | | | | | | | | | | | | | | | |
| ANGLES | ± - | | | | | | | | | | | | | | | | |
| MATERIAL | | WEIGHT | | CAGE CODE | DRAWING NO | | | | | | | | | | | | |
| FINISH | | CUSTOMER DRAWING | | A300779 | C-2331387 | | | | | | | | | | | | |
| | | SCALE | | SHEET | REV | | | | | | | | | | | | |
| | | NTS | | 1 OF 3 | A | | | | | | | | | | | | |

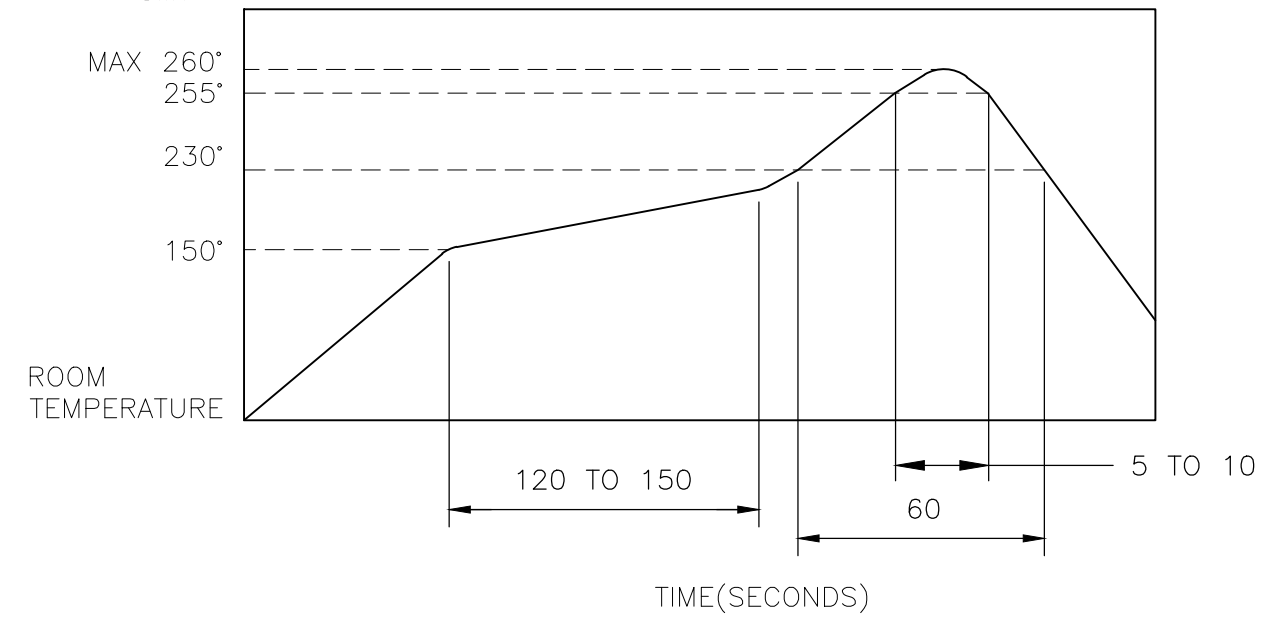
THIS DRAWING IS UNPUBLISHED. RELEASED FOR PUBLICATION
 © COPYRIGHT - TE Connectivity Ltd. ALL RIGHTS RESERVED.

| REVISIONS | | | | | |
|-----------|-----|-------------|------|-----|------|
| P | LTR | DESCRIPTION | DATE | DWN | APVD |
| - | - | SEE SHEET 1 | - | - | - |

NOTES:

- MATERIALS:**
 ACTUATOR: THERMOPLASTIC, UL 94V-0, BLACK
 BODY: THERMOPLASTIC, UL 94V-0, BLACK
 COVER: NICKEL SILVER
 TERMINAL: COPPER ALLOY, SILVER PLATE
 SPRING: STAINLESS STEEL
- COMPLIANCE:**
 ALL MATERIALS AND FINISHES SHALL COMPLY WITH EU DIRECTIVE 2002/95/EC OF 27JAN2003(RoHS)
- SPECIFICATIONS:**
 RATING: 1mA, 5V DC TO 50µA, 3V DC
 CONTACT RESISTANCE: 2Ω MAXIMUM(INITIAL)
 INSULATION RESISTANCE: 100MΩ MINIMUM AT 100 V DC
 DIELECTRIC STRENGTH: 100 V AC, 1 MINUTE
 OPERATING LIFE: 50,000 CYCLES WITH LOAD
 TOTAL TRAVEL: 1.55 [.061]
 ACTUATION FORCE: 35gf MAXIMUM
 OPERATING TEMPERATURE: -10°C TO 60° C
 STORAGE TEMPERATURE: -40°C TO 85° C

4. SOLDER CONDITIONS:
SMT



THE CONDITION MENTIONED ABOVE IS THE TEMPERATURE ON THE CU FOIL OF THE PCB SURFACE. THERE ARE CASES WHERE THE BOARD'S TEMPERATURE GREATLY DIFFERS FROM THE SWITCH'S SURFACE. DO NOT ALLOW SWITCH'S SURFACE TEMPERATURE TO EXCEED 260°C

MANUAL SOLDERING

| | |
|---------------------------|----------------|
| SOLDERING TEMPERATURE | 350°C±5°C. |
| CONTINUOUS SOLDERING TIME | 5 SECONDS MAX. |

PRECAUTIONS IN HANDLING

- CARE SHOULD BE EXERCISED SO THAT FLUX FROM THE UPPER PART OF THE PRINTED CIRCUIT BOARD DOES NOT ADHERE TO THE SWITCH.

| | |
|-------------------|-------------|
| JJCHLUJ100NOPMRTR | 2331387-1 |
| SMART PART NUMBER | PART NUMBER |

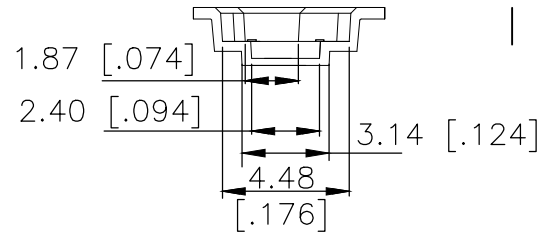
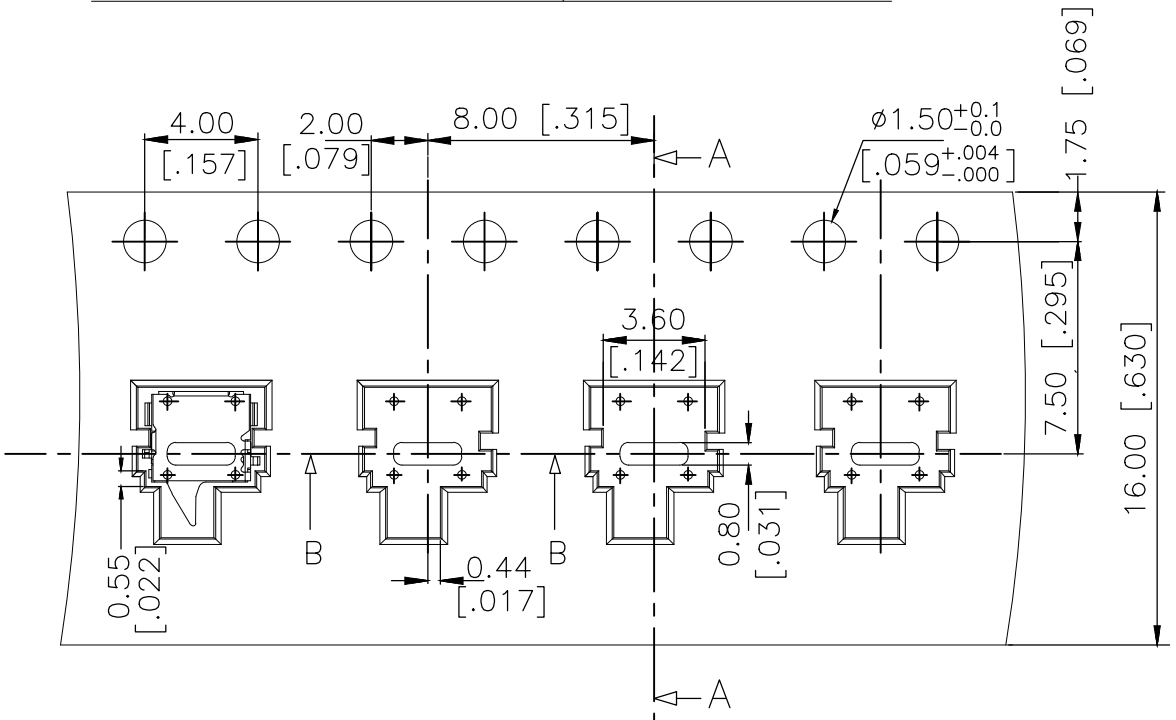
| | | | | | | | | | | | | | | | | | |
|--|---------------|------------------------------------|----------------------|------------|---------------|---|---------------|-------|-----|-------|-----|--------|-----|------------------|------|--|----|
| THIS DRAWING IS A CONTROLLED DOCUMENT. | | DWN 07MAR2018 GANESH C M | TE Connectivity Ltd. | | | | | | | | | | | | | | |
| DIMENSIONS: mm [INCHES] | | CHK 07MAR2018 ALEXANDER SHARPE | | | | NAME SWITCH, DETECTOR, JJC SERIES, 3.5X3.3mm, HORIZONTAL, SMT, POSTS, OPEN | | | | | | | | | | | |
| TOLERANCES UNLESS OTHERWISE SPECIFIED: | | APVD 07MAR2018 ALEXANDER SHARPE | PRODUCT SPEC | | RESTRICTED TO | | | | | | | | | | | | |
| <table border="0"> <tr> <td>0 PLC</td> <td>± -</td> </tr> <tr> <td>1 PLC</td> <td>± -</td> </tr> <tr> <td>2 PLC</td> <td>± 0.20 [.008]</td> </tr> <tr> <td>3 PLC</td> <td>± -</td> </tr> <tr> <td>4 PLC</td> <td>± -</td> </tr> <tr> <td>ANGLES</td> <td>± -</td> </tr> </table> | | 0 PLC | ± - | 1 PLC | ± - | 2 PLC | ± 0.20 [.008] | 3 PLC | ± - | 4 PLC | ± - | ANGLES | ± - | APPLICATION SPEC | SIZE | | A3 |
| 0 PLC | ± - | | | | | | | | | | | | | | | | |
| 1 PLC | ± - | | | | | | | | | | | | | | | | |
| 2 PLC | ± 0.20 [.008] | | | | | | | | | | | | | | | | |
| 3 PLC | ± - | | | | | | | | | | | | | | | | |
| 4 PLC | ± - | | | | | | | | | | | | | | | | |
| ANGLES | ± - | | | | | | | | | | | | | | | | |
| MATERIAL | FINISH | WEIGHT | CAGE CODE | DRAWING NO | | | | | | | | | | | | | |
| - | - | - | 00779 | C-2331387 | RESTRICTED TO | | | | | | | | | | | | |
| CUSTOMER DRAWING | | | SCALE | SHEET | REV | | | | | | | | | | | | |
| | | | NTS | 2 OF 3 | A | | | | | | | | | | | | |

THIS DRAWING IS UNPUBLISHED. RELEASED FOR PUBLICATION
 © COPYRIGHT - TE Connectivity Ltd. ALL RIGHTS RESERVED.

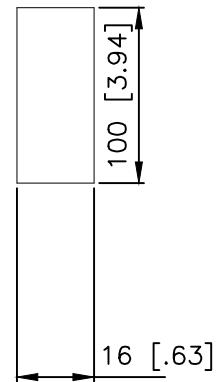
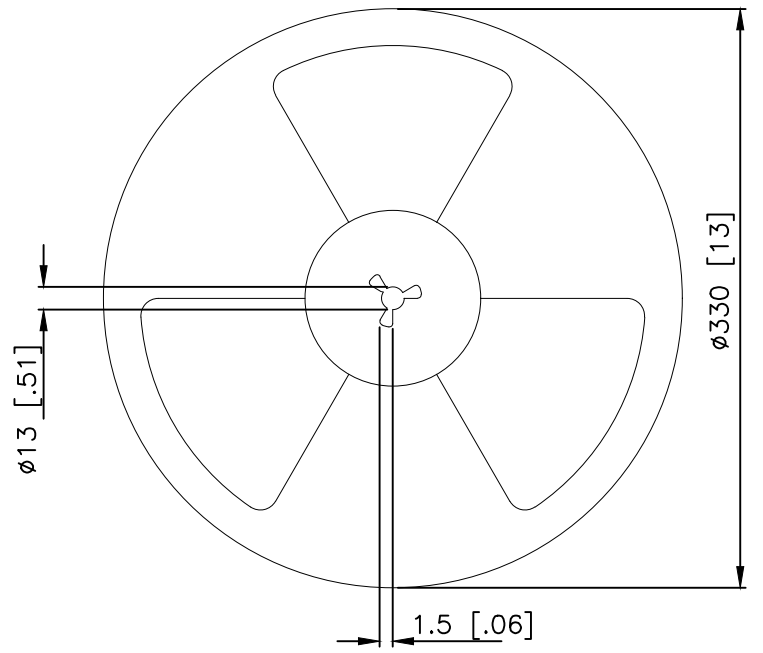
| REVISIONS | | | | | |
|-----------|-----|-------------|------|-----|------|
| P | LTR | DESCRIPTION | DATE | DWN | APVD |
| - | - | SEE SHEET 1 | - | - | - |

PACKAGING:
 3500 SWITCHES PER REEL

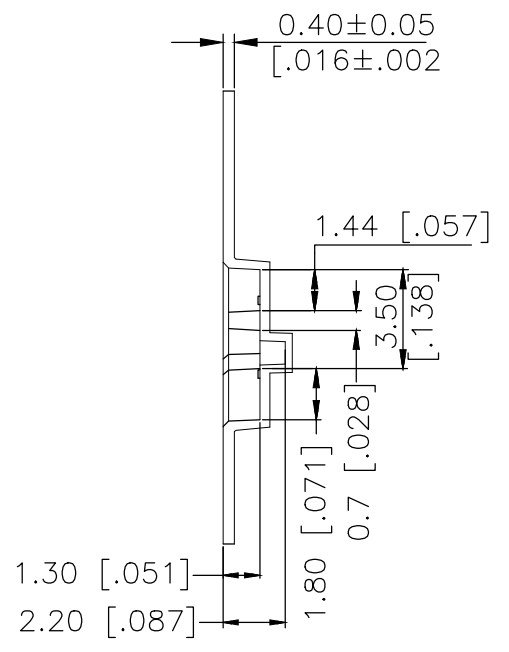
THE DIMENSION OF CARRIER TAPE, COVER TAPE AND REEL



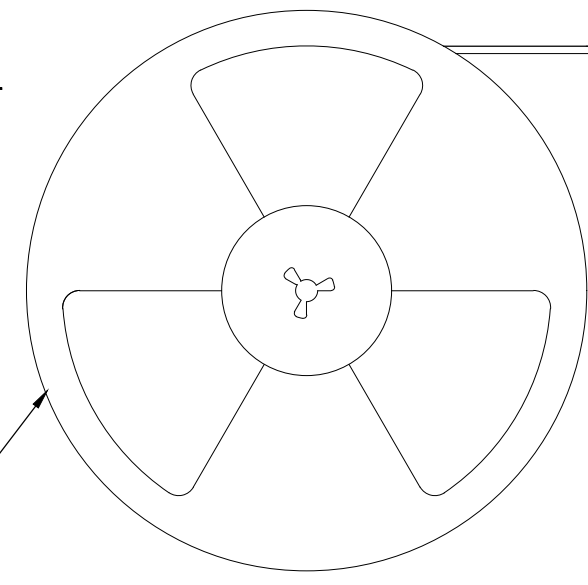
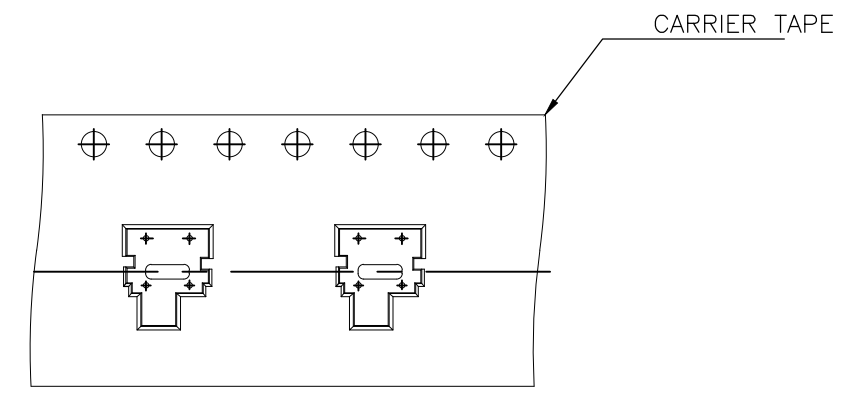
Section B-B



THE DIRECTION OF PILOT HOLES



Section A-A



REEL

DRAWING DIRECTION

| | | | | | | |
|---|--|---------------------------------|----------------------|--------------|-----------------|--|
| THIS DRAWING IS A CONTROLLED DOCUMENT. | | DWN GANESH C M 07MAR2018 | TE Connectivity Ltd. | | | |
| DIMENSIONS: mm [INCHES] | | CHK ALEXANDER SHARPE 07MAR2018 | | | | NAME SWITCH, DETECTOR, JJC SERIES, 3.5X3.3mm, HORIZONTAL, SMT, POSTS, OPEN |
| TOLERANCES UNLESS OTHERWISE SPECIFIED: | | APVD ALEXANDER SHARPE 07MAR2018 | PRODUCT SPEC | | | |
| 0 PLC ± - 1 PLC ± - 2 PLC ± 0.20 [.008] 3 PLC ± - 4 PLC ± - ANGLES ± - | | APPLICATION SPEC | RESTRICTED TO | | | |
| MATERIAL | | FINISH | WEIGHT | SIZE A3 | CAGE CODE 00779 | DRAWING NO C-2331387 |
| CUSTOMER DRAWING | | | SCALE NTS | SHEET 3 OF 3 | REV A | |