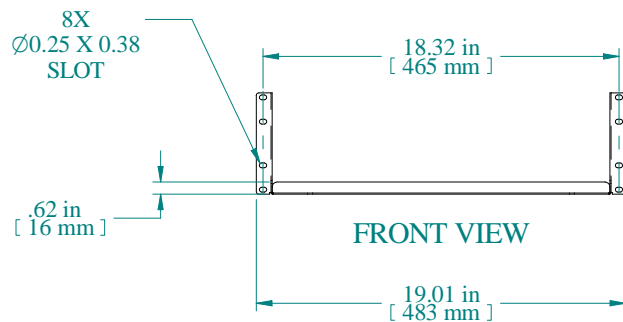
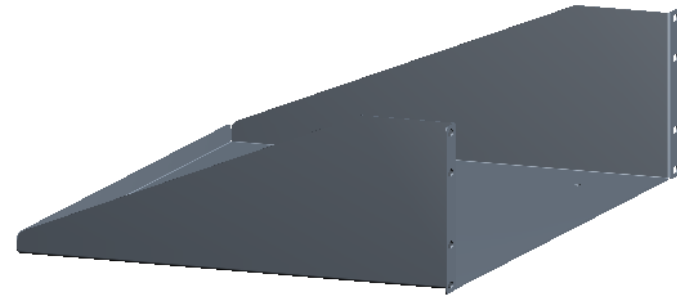
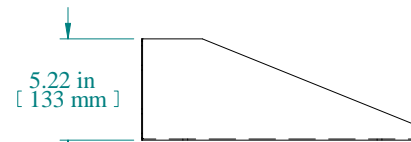


TOP VIEW



FRONT VIEW



SIDE VIEW

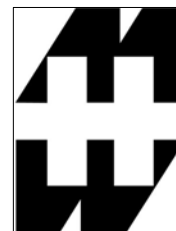
PART NUMBERS

RASUL190514BK1 | PAINTED BLACK TEXTURED

NOTES

Maximum Weight 80 lb  
Mounting Hardware not Supplied with Shelf

Data subject to change without notice. Isometric drawing not to scale.



**HAMMOND  
MANUFACTURING™**

www.hammondmfg.com

PART NO. RASUL190514