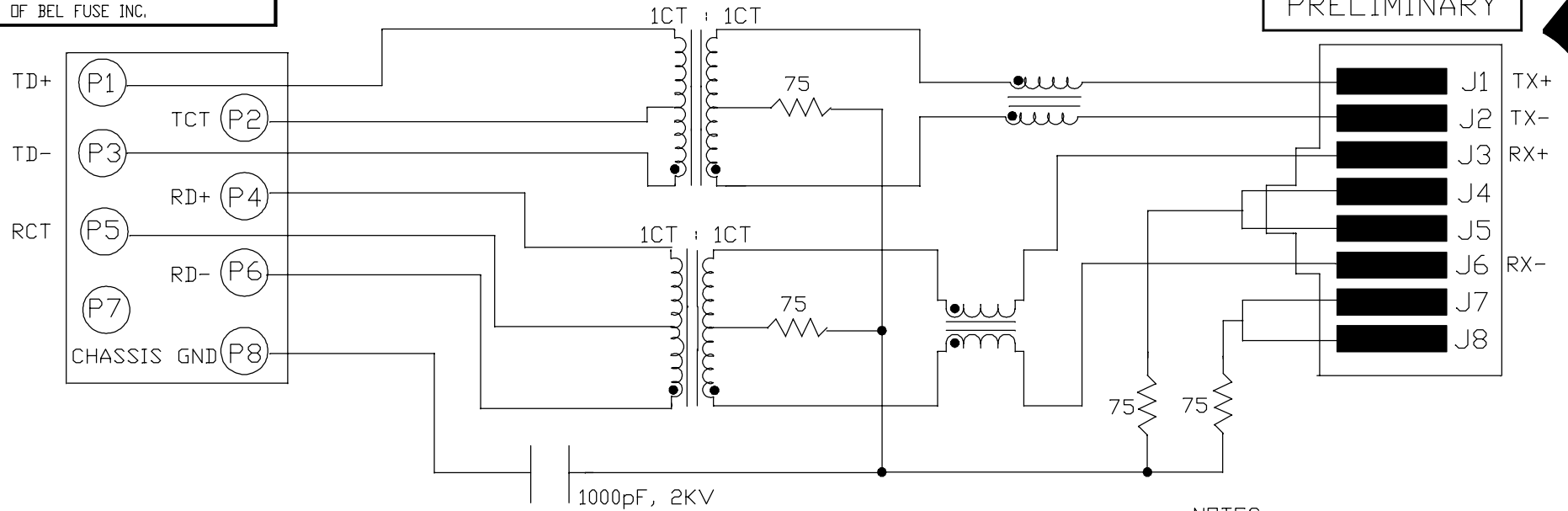


THE INFORMATION CONTAINED HEREIN IS CONSIDERED 'PROPRIETARY' TO BEL FUSE INC. AND SHALL NOT BE COPIED, REPRODUCED OR DISCLOSED WITHOUT THE WRITTEN APPROVAL OF BEL FUSE INC.

RoHS



PRELIMINARY



ELECTRICAL SPECIFICATIONS:

- |     |  |  |
|-----|--|--|
| 1.0 | Turns Ratio: (P4-P5-P6) : (J3-J6)                | : 1CT : 1CT ± 3%                         |
|     | (P3-P2-P1) : (J1-J2)                             | : 1CT : 1CT ± 3%                         |
| 2.0 | Inductance: (P4-P6)                              | : 350uH MIN. @ 0.1V, 100KHz, 8mA DC Bias |
|     | (P3-P1)  | : 350uH MIN. @ 0.1V, 100KHz, 8mA DC Bias |
| 3.0 | Leakage Inductance: P6-P4 (with J6 and J3 short) | : 0.3 MAX. @ 1MHz                        |
|     | P3-P1 (with J2 and J1 short)                     | : 0.3 MAX. @ 1MHz                        |
| 4.0 | Interwinding Capacitance: (P6,P5,P4) TO (J6,J3)  | : 30pf MAX @ 1MHz                        |
|     | (P3,P2,P1) TO (J2,J1)                            | : 30pf MAX. @ 1MHz                       |
| 5.0 | DC Resistance: (J6-J3)=(J2-J1)                   | : 1.35 ohms Max.                         |

NOTES:

1.0 COMPLIES WITH THE EUROPEAN DIRECTIVE 2002/95/EC, CALLING FOR THE ELIMINATION OF LEAD AND OTHER HAZARDOUS SUBSTANCES FROM ELECTRONIC PRODUCTS.

ORIGINATED BY  
CHOW WANCHUNG  
DATE 2020-11-16

TITLE  
MagJack®  
10/100 BT  
TAB UP, SHIELDED  
PATENTED

PART NO. / DRAWING NO.  
SI-80008-F

FILE NAME  
SI-80008-F\_1.DWG

STANDARD DIM.  
TOL. IN INCH

.X	
.XX	
.XXX	

[ ] METRIC DIM.  
AS REF.

UNIT : INCH [mm]  
SCALE : N/A  
SIZE : A4

REV. : 1

PAGE : 2



a bel group

THE INFORMATION CONTAINED HEREIN IS CONSIDERED 'PROPRIETARY' TO BEL FUSE INC. AND SHALL NOT BE COPIED, REPRODUCED OR DISCLOSED WITHOUT THE WRITTEN APPROVAL OF BEL FUSE INC.

PRELIMINARY



- 6.0 RETURN LOSS: <math>\langle P4-P6 \rangle = 100 \text{ OHMS}</math> AND <math>\langle P1-P3 \rangle = 100 \text{ OHM REF.}</math>  
     1MHz TO 30MHz : 18dB MIN.  
     60MHz TO 80MHz : 12dB MIN.  
     NOTE: 100 OHMS CONNECTED TO <math>\langle J2-J1 \rangle</math> OR <math>\langle J3-J6 \rangle</math>.
- 7.0 DIELECTRIC WITHSTAND: <math>\langle J1, J2 \rangle</math> TO <math>\langle P1, P3 \rangle</math> : 1500 VAC  
     <math>\langle J3, J6 \rangle</math> TO <math>\langle P4, P6 \rangle</math> : 1500 VAC
- 8.0 INSERTION LOSS: RS=RL=100 ohms : 1.1 dB MAX  
     100KHz TO 100MHz
- 9.0 RISE TIME: RS=100 OHMS AND RL = 100 OHMS : 3.0 nS MAX  
     OUTPUT VOLTAGE = 1 V peak : 3.0 nS MAX  
     PULSE WIDTH= 112ns
- 10.0 CROSS TALK: 1-100 MHz : 33 dB MIN
- 11.0 COMMON TO COMMON MODE ATTENUATION: 30MHz TO 100MHz : 33 dB MIN
- 12.0 OPERATING TEMPERATURE RANGE: 0°C TO 70°C

REV. : 1 PAGE : 3

ORIGINATED BY  
CHOW WANCHUNG  
DATE 2020-11-16

DRAWN BY  
XIE YIMING  
DATE 2020-11-16

TITLE  
MagJack®  
10/100 BT  
TAB UP, SHIELDED  
PATENTED

PART NO. / DRAWING NO.  
SI-80008-F

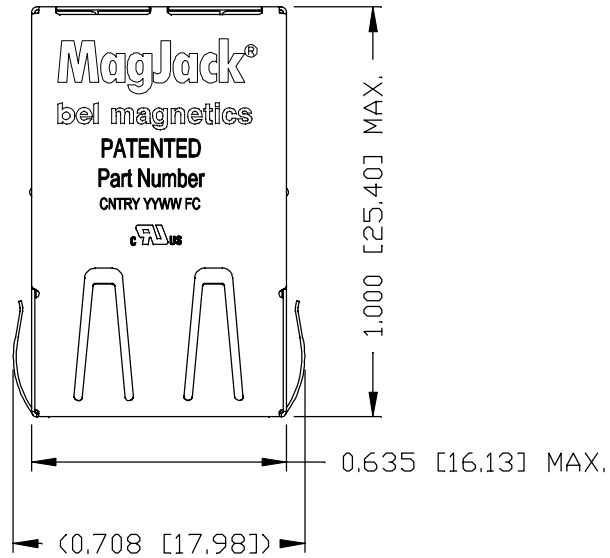
FILE NAME  
SI-80008-F\_1.DWG

STANDARD DIM. TOL. IN INCH	[ ] METRIC DIM. AS REF.
.X	UNIT : INCH [mm]
.XX	SCALE : N/A
.XXX	SIZE : A4



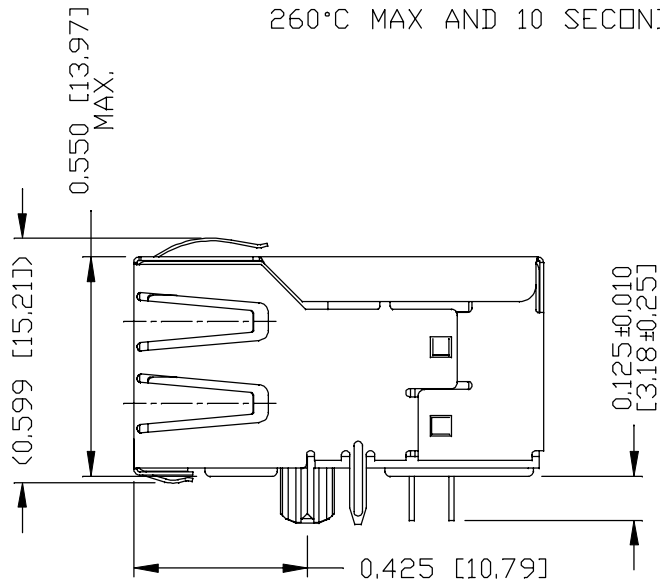
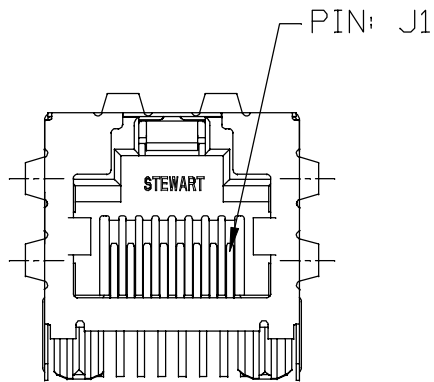
THE INFORMATION CONTAINED HEREIN IS CONSIDERED 'PROPRIETARY' TO BEL FUSE INC. AND SHALL NOT BE COPIED, REPRODUCED OR DISCLOSED WITHOUT THE WRITTEN APPROVAL OF BEL FUSE INC.

PRELIMINARY



NOTES:

- CONNECTOR MATERIALS:  
HOUSING: THERMOPLASTIC UL94 V-0  
CONTACT/SHIELD: COPPER ALLOY  
SHIELD PLATING: NICKEL OR TIN  
CONTACT PLATING: SELECTIVE GOLD IN CONTACT AREA.
- PIN NOT ELECTRICALLY CONNECTED MAYBE OMITTED, SEE ELECTRICAL DRAWING FOR OMITTED PINS.
- TOLERANCES COMPLY WITH F.C.C. DIMENSION REQUIREMENTS.
- THE PRODUCT IS RoHS COMPLIANT,  
UL US UL RECOGNIZED - FILE #E474585.
- THE PART IS RECOMMENDED FOR WAVE SOLDERING, THE SUGGESTED PEAK WAVE SOLDERING CONDITION IS 260°C MAX AND 10 SECONDS MAX.



ORIGINATED BY  
SANDY LIN  
DATE 2020-11-16  
DRAWN BY  
RUAN WENJUN  
DATE 2020-11-16

TITLE  
MagJack®  
10/100 BT  
TAB UP, SHIELDED  
PATENTED

PART NO. / DRAWING NO.  
SI-80008-F  
FILE NAME  
SI-80008-F\_1.DWG

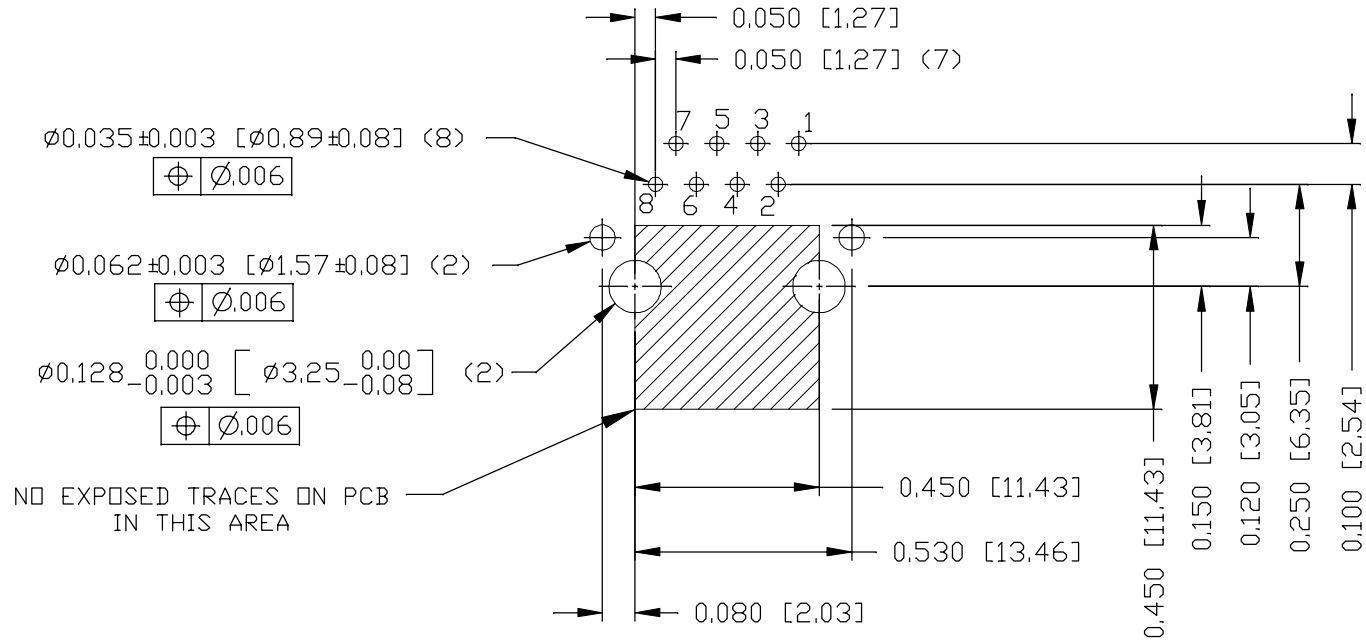
STANDARD DIM. TOL. IN INCH	[ ] METRIC DIM. AS REF.
.X	UNIT : INCH [mm]
.XX	SCALE : N/A
.XXX ±0.005	SIZE : A4

REV. : 1 PAGE : 4



THE INFORMATION CONTAINED HEREIN IS CONSIDERED 'PROPRIETARY' TO BEL FUSE INC. AND SHALL NOT BE COPIED, REPRODUCED OR DISCLOSED WITHOUT THE WRITTEN APPROVAL OF BEL FUSE INC.

PRELIMINARY



P.C.B. RECOMMENDED HOLE LAYOUT  
 SEEN FROM COMPONENT SIDE  
 ALL CENTERLINE DIMENSIONS ARE BASIC

REV. : 1 PAGE : 5

ORIGINATED BY  
 SANDY LIN  
 DATE 2020-11-16  
 DRAWN BY  
 RUAN WENJUN  
 DATE 2020-11-16

TITLE  
 MagJack®  
 10/100 BT  
 TAB UP, SHIELDED  
 PATENTED

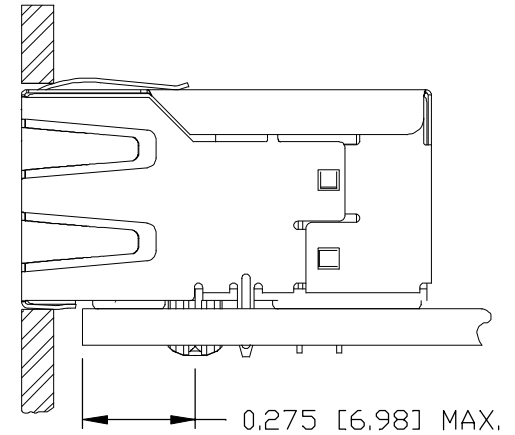
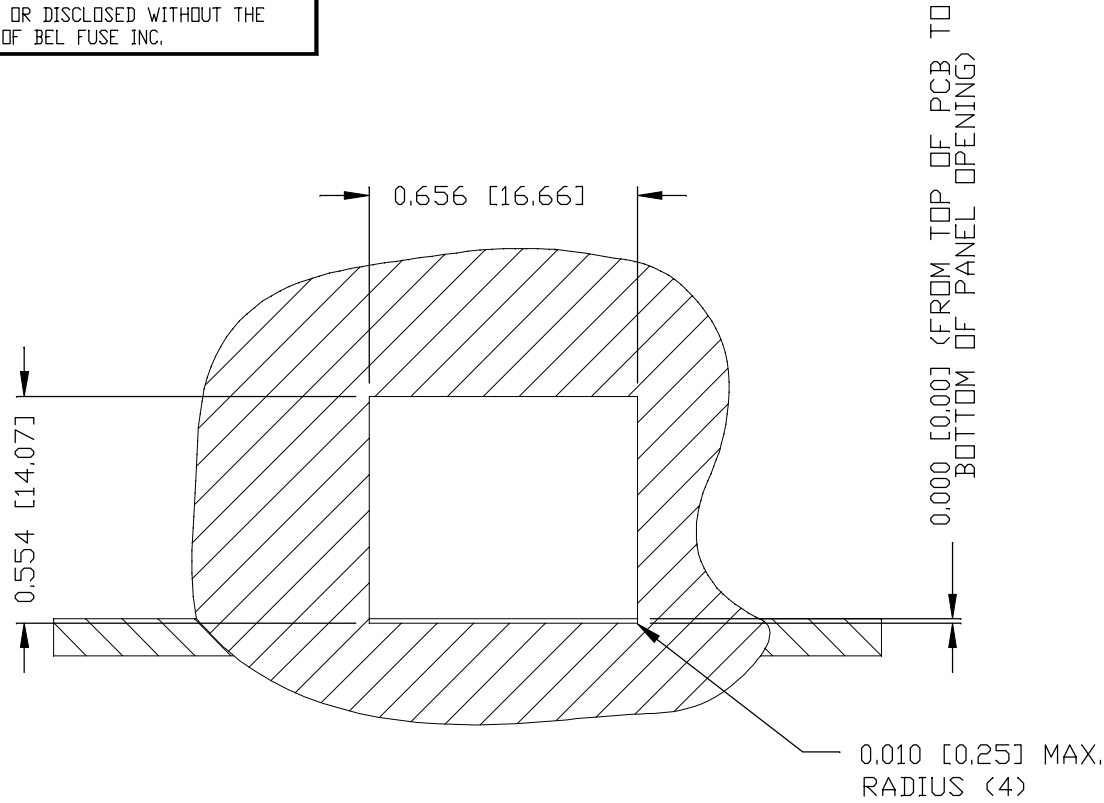
PART NO. / DRAWING NO.  
 SI-80008-F  
 FILE NAME  
 SI-80008-F\_1.DWG

STANDARD DIM. TOL. IN INCH	[ ] METRIC DIM. AS REF.
.X	UNIT : INCH [mm]
.XX	SCALE : N/A
.XXX ±0.005	SIZE : A4



THE INFORMATION CONTAINED HEREIN IS CONSIDERED 'PROPRIETARY' TO BEL FUSE INC. AND SHALL NOT BE COPIED, REPRODUCED OR DISCLOSED WITHOUT THE WRITTEN APPROVAL OF BEL FUSE INC.

PRELIMINARY



SUGGESTED PANEL OPENING

NOTES:

THE SUGGESTED PANEL OPENING IS INTENDED TO GIVE THE USER THE ABILITY TO HAVE REASONABLE JACK / PANEL CLEARANCES YET MAINTAIN RELIABLE GROUNDING CAPABILITY.

ORIGINATED BY  
SANDY LIN  
DATE 2020-11-16  
DRAWN BY  
RUAN WENJUN  
DATE 2020-11-16

TITLE  
MagJack®  
10/100 BT  
TAB UP, SHIELDED  
PATENTED

PART NO. / DRAWING NO.  
SI-80008-F  
FILE NAME  
SI-80008-F\_1.DWG

STANDARD DIM. TOL. IN INCH	[ ] METRIC DIM. AS REF.
.X	UNIT : INCH [mm]
.XX	SCALE : N/A
.XXX ±0.005	SIZE : A4

REV. : 1 PAGE : 6

