

<b>PROPRIETARY INFORMATION:</b> PROPRIETARY OF GLOBTEK, INC. ANY REPRODUCTION, DISCLOSURE OR USE OF THIS DRAWING, IN WHOLE OR IN PART, IS HEREBY PROHIBITED EXCEPT AS SPECIFIED IN WRITING BY GLOBTEK, INC.	REVISION			
	REV	DESCRIPTION	DATE	APPROVED
	A	INITIAL RELEASE, 12555, SO	12/04/07	HM
	B	CORRECT PINOUT,RFS. 15970, GC	04/07/09	HM

**1. NOTES:**

DIMENSIONS ARE IN MM UNLESS SPECIFIED OTHERWISE.

**2. ELECTRICAL SPECIFICATIONS:**



**INPUT VOLTAGE:** 90 VAC TO 264 VAC  
**INPUT CURRENT:** < 1.6 A RMS AT 90 VAC INPUT  
**INPUT FREQUENCY:** 47 HZ - 63 HZ  
  
**OUTPUT VOLTAGE:** 24 VDC, NO LOAD TO FULL LOAD,NO MINIMUM LOAD REQUIRED  
**OUTPUT CURRENT:** 2.5A  
**OUTPUT POWER (RATED):** 60 WATTS MAX  
**OUTPUT REGULATION:** +/- 5% MEASURED AT THE OUTPUT CONNECTOR  
**LINE VOLTAGE REGULATION:** +/- 1% TYPICAL MEASURED AT FULL LOAD  
**HIGH FREQ. OUTPUT RIPPLE:** 1% OF OUTPUT VOLTAGE , PEAK TO PEAK, TYPICAL  
**TURN-ON/TURN-OFF OVERSHOOT:** 5% MAXIMUM, 1mS TYPICAL RECOVERY TIME FOR 25% STEP LOAD  
**TURN-ON DELAY:** 1 SECOND, TYPICAL  
**HOLD-UP TIME:** 10mS TYPICAL AT NOMINAL INPUT VOLATAGE AND FULL LOAD  
**INRUSH CURRENT:** 20A TYPICAL AT 115Vac INPUT AND 30A TYPICAL AT 230Vac INPUT  
**SWITCHING FREQUENCY:** 100KHZ TYPICAL  
**EFFICIENCY:** 75% TYPICAL AT NOMINAL INPUT AND FULL LOAD  
**OUTPUT INDICATOR:** GREEN LED FOR OUTPUT PRESENT

**PROTECTION**

**OVER-VOLTAGE:** VOLTAGE LIMITED BY CROWBAR METHOD  
**OVERLOAD:** HICCUP MODE WITH AUTO-RECOVERY (110 - 130% OF RATED LOAD)  
**SHORT CIRCUIT:** HICCUP MODE, OUTPUT WILL AUTORECOVER UPON REMOVAL OF SHORT  
**INPUT PROTECTION:** INPUT LINE FUSING

**SAFETY**

**DIELECTRIC WITHSTAND VOLTAGE:** 4242Vdc FROM PRIMARY TO SECONDARY  
**EARTH LEAKAGE CURRENT:** 500uA at 264Vac INPUT VOLTAGE

**APPROVALS**

**ITE UNITS:** UL 60950, CUL TO 22.2 NO. 60950, TUV TO EN60950, PSE TO J60950, CB REPORT CLASS I  
  
**EMI:** COMPLIES WITH EN55022 CLASS B AND FCC PART 15 CLASS B WHEN TESTED WITH RESISTIVE LOAD, BOTH CONDUCTED AND RADIATED EMI.  
**CE MARK:** TESTED TO COMPLY WITH EN61000-3-2 EN610003-3 AND EN50082-1 INCLUDING EN61000-4-2 (SYSTEM LEVEL), EN61000-4-3, EN61000-4-4, EN61000-4-5, EN61000-4-6, EN61000-4-11 LEVEL 4.  
  
**MTBF:** 200,000 HOURS AT 25°C AMBIENT TEMPERATURE  
  
**OPERATING TEMPERATURE:** 0°C TO 40°C AMBIENT TEMPERATURE  
**UMIDITY:** 0% TO 90% RELATIVE HUMIDITY  
**STORAGE TEMPERATURE:** - 40°C TO 80°C  
**ROHS:** COMPLIES WITH EU 2002/95/EC AND CHINA SJ/T 11363-2006

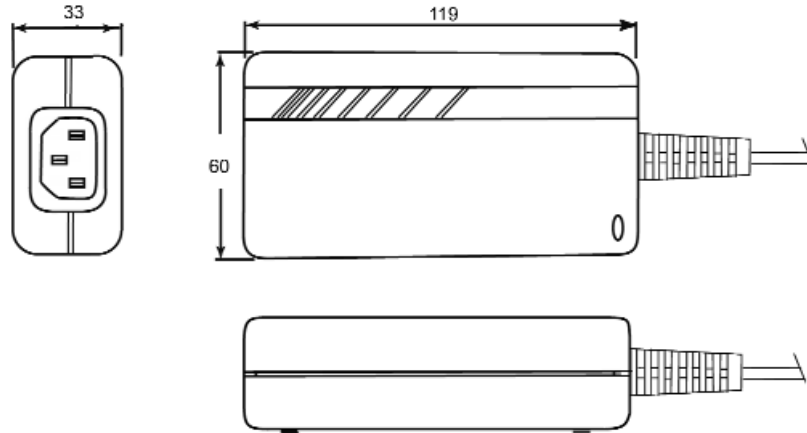
Foot Note: Globtek Inc. will not be liable for the safety and performance of these power supplies if unauthorized access and repair occurs. End user should consult applicable UL, CSA or EN standards for proper installation instructions	DASH NO.	PART NO	REV.	DESCRIPTION	NOTES
	<b>TABULATION BLOCK</b>				
Limitation of Use: Globtek product are not authorized for use as mission critical components in life support, hazardous environment, nuclear or aircraft applications without prior written approval from the CEO of Globtek Inc.	INIT.BY: SO		DATE: 12/04/07	<b>TOLERANCES:</b> DECIMALS    ANGULAR .xx +/- 0.1    +/- 1° .xxx +/- .005	<b>GlobTek, Inc.</b> 186 Veterans Dr. Northvale, NJ 07647 Tel. 201-784-1000 Fax 201.784.0111 <a href="http://www.globtek.com">www.globtek.com</a>
	DRAWN: NF	DATE: 12/04/07	FSCN No.: G, Y		
Contents of this document are subject to change without prior notice	APRVD : HM	DATE: 12/04/07	SCALE: NONE	MODEL NO: GT-21126-6024	REV. B
				PART NO: TR9CI2500ML3-Y(R)	SHEET 1 OF 4

**PROPRIETARY INFORMATION:**

PROPRIETARY OF GLOBTEK, INC. ANY REPRODUCTION, DISCLOSURE OR USE OF THIS DRAWING, IN WHOLE OR IN PART, IS HEREBY PROHIBITED EXCEPT AS SPECIFIED IN WRITING BY GLOBTEK, INC.

**3. ENCLOSURE**

UPPER HOUSING: HIGH IMPACT PLASTIC, 94V0 POLYCARBONATE, NON-VENTED, COLOR BLACK  
LOWER HOUSING: HIGH IMPACT PLASTIC 94V0 POLYCARBONATE, NON- VENTED, COLOR BLACK  
SIZE: 119 x 60 x 33 ± 1 mm



**4. INDICATOR:** GREEN LED, OUTPUT PRESENT

**5. INPUT CONNECTOR:**

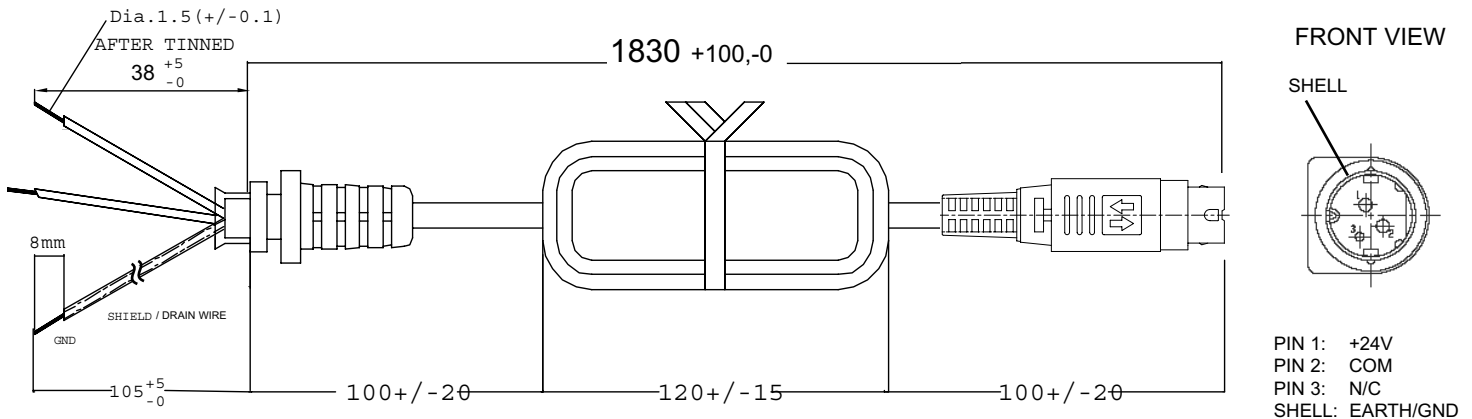
CONFIGURATION: CLASS 1 MODEL IEC320 / C14, AC POWER RECEPTACLE WITH 3 MALE PRONGS

**6. OUTPUT CORD :**

2 CONDUCTORS + SHIELD, 18 AWG STRANDED WIRE, ROUND UL 2464 CORD TYPE, COLOR BLACK, LENGTH OF CORD: 1830 +100,-0 mm. CORD IS MEASURED FROM THE HOUSING TO THE END OF OVERMOLD OF THE CONNECTOR. CABLE IS TO BE MARKED WITH WIRE GAUGE, AND ALL APPLICABLE RATING AND SAFETY APPROVALS.

**7. OUTPUT CONNECTOR:**

3 MALE MINI DIN KYCON KPP-3P LOCKING OR EQUIVALENT



**DC COMMON: ISOLATED FROM GROUND**

**GlobTek, Inc.**  
www.globtek.com

186 Veterans Dr. Northvale, NJ 07647  
Tel. 201-784-1000 Fax 201.784.0111

DWG TITLE: SWITCHING POWER SUPPLY, 60 WATT, 24V DC @2.5A  
DESKTOP, UNIVERSAL INPUT

MODEL NO: GT-21126-6024

REV.  
B

PART NO: TR9CI2500ML3-Y(R)

SHEET 2 OF 4

**PROPRIETARY INFORMATION:**

PROPRIETARY OF GLOBTEK, INC. ANY REPRODUCTION, DISCLOSURE OR USE OF THIS DRAWING, IN WHOLE OR IN PART, IS HEREBY PROHIBITED EXCEPT AS SPECIFIED IN WRITING BY GLOBTEK, INC.


**8. LABEL:**

MATERIAL: .007 (0.18) THICK FLAT THERMAL TRANSFER, IMPRINTABLE, BLACK POLYESTER SHEET WITH WHITENOMENCLATURE.

MANUFACTURER: STEVEN LABEL, MATERIAL I.D. NO.3302-33, UL FILE NO. MH12821(N), UL MATERIAL DESIGNATION FILE NO. GHW332RL. OPTIONAL LABEL MATERIAL CAN BE SUBSTITUTED PROVIDING MATERIAL IS UL LISTED AND COMPLEIS WITH APPLICABLE SAFETY REQUIREMENTS.



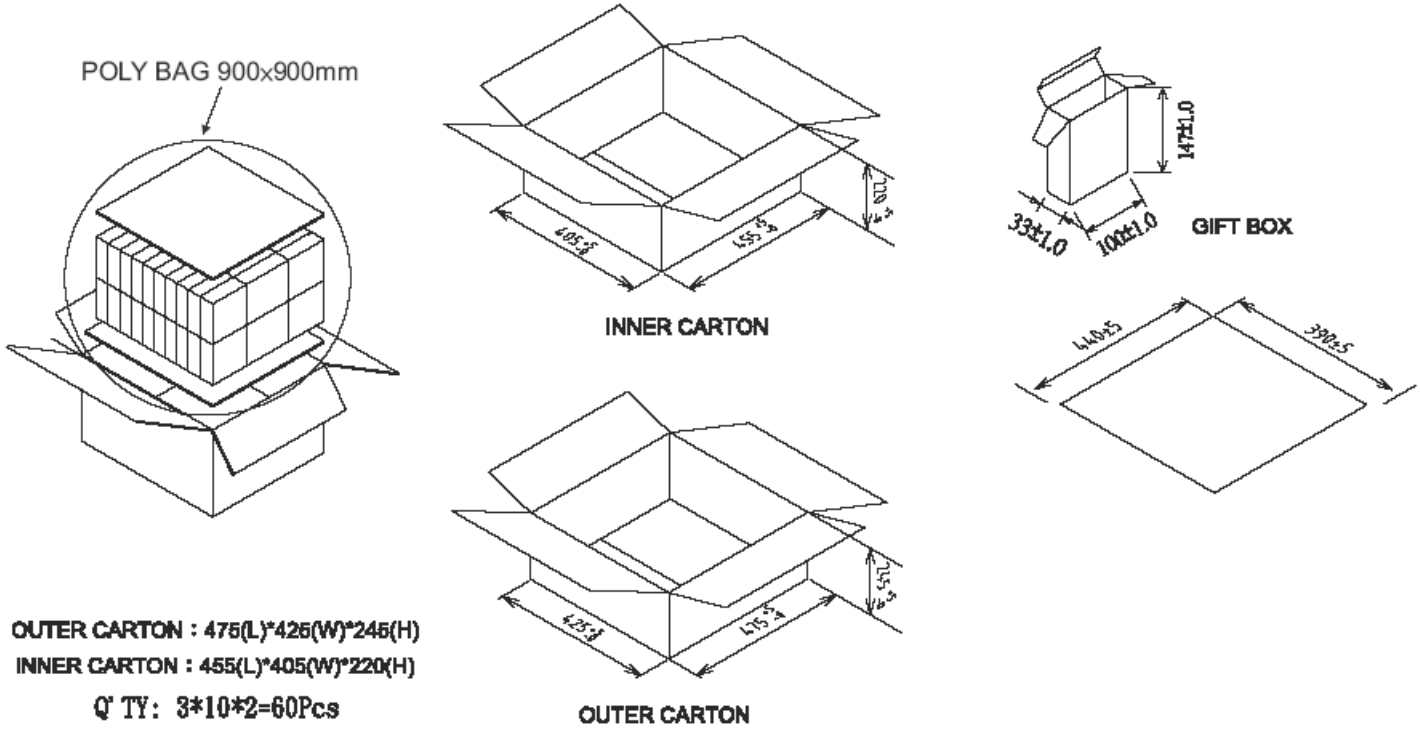
**ACTUAL POSITIONING OF SYMBOLS AND TEXT IS SUBJECT TO CHANGE AT TIME OF MANUFACTURE**

 <b>GlobTek, Inc.</b>		186 Veterans Dr. Northvale, NJ 07647
<a href="http://www.globtek.com">www.globtek.com</a>		Tel. 201-784-1000 Fax 201.784.0111
DWG TITLE: SWITCHING POWER SUPPLY, 60 WATT, 24V DC @2.5A DESKTOP, UNIVERSAL INPUT		
MODEL NO: GT-21126-6024		REV. B
PART NO: TR9CI2500ML3-Y(R)		SHEET 3 OF 4

**PROPRIETARY INFORMATION:**

PROPRIETARY OF GLOBTEK, INC. ANY REPRODUCTION, DISCLOSURE OR USE OF THIS DRAWING, IN WHOLE OR IN PART, IS HEREBY PROHIBITED EXCEPT AS SPECIFIED IN WRITING BY GLOBTEK, INC.

**9. PACKING:**



**China RoHS SELF DISCLOSURE TABLE**

有害有害物质或元素名称及含量标准形式 Name and concentration of hazardous substance or element in product						
零件名 Name of part	剧毒有害物质或元素 Hazardous substance or element					
	铅 Pb	汞 Hg	镉 Cd	六价铬 Cr(VI)	多溴联苯 PBB	多溴二苯醚 PBDE
输出线材料 DC CABLE	X	○	○	○	○	○
输入插座 AC SOCKET	X	○	○	○	○	○
二极管 SMD ZENER	X	○	○	○	○	○

○: 表示该有害有害物质在这零件中所有同质材料中的含量均在SJ/T 11363-2006规定的限量要求以下。  
 ○ refers to the concentration of this hazard substance in the all homogenous materials in this part is below the concentration limit as stipulated in the standard SJ/T 11363-2006.

X: 表示该有害有害物质至少在这零件中的某一同质材料中的含量超出 SJ/T 11363-2006规定的限量要求。  
 X: refers to the concentration of this hazard substance at least in a homogenous material is higher than the concentration limit as stipulated in the standard SJ/T 11363-2006.

<b>GlobTek, Inc.</b> www.globtek.com	186 Veterans Dr. Northvale, NJ 07647 Tel. 201-784-1000 Fax 201.784.0111
	DWG TITLE: SWITCHING POWER SUPPLY, 60 WATT, 24V DC @2.5A DESKTOP, UNIVERSAL INPUT
MODEL NO: GT-21126-6024	REV. B
PART NO: TR9CI2500ML3-Y(R)	SHEET 4 OF 4