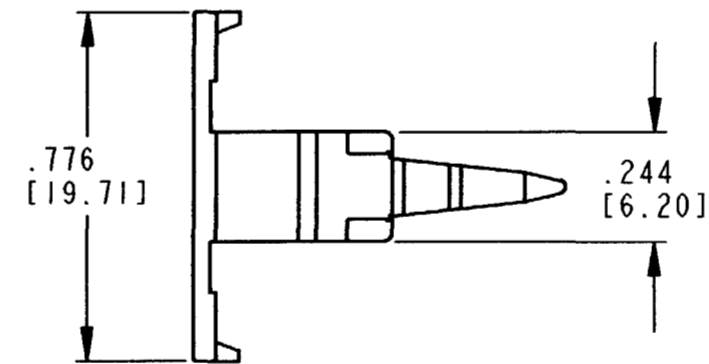
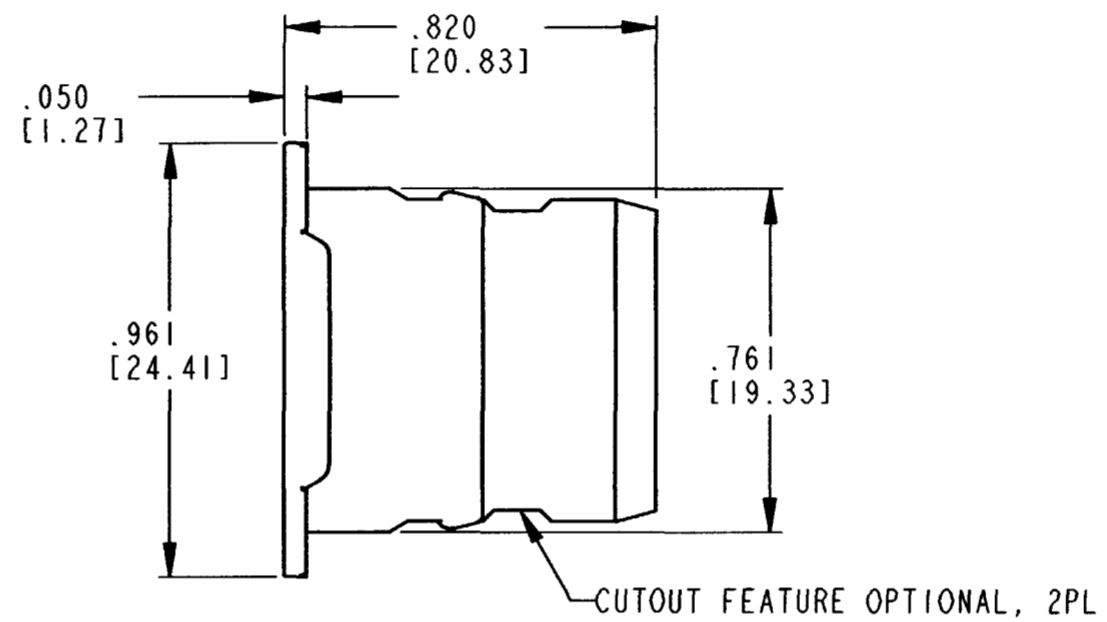
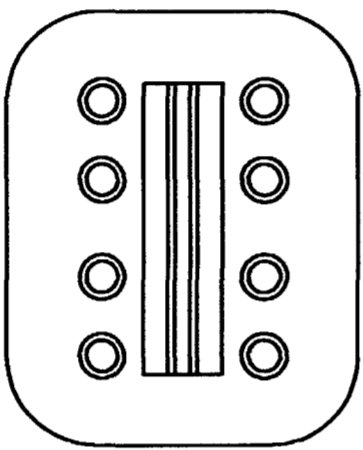


REV B
W8S-P012

REVISIONS			
SYM	DESCRIPTION	DATE	APPROVED
NC	NEW RELEASE PER E.O. P15118	11/12/96	R.D.R.
A	REVISED PER E.O. P17510	11/28/01	R.D.R.
B	REVISED PER E.O. P20139	3-4-09	RDR



- 5. MATERIAL: PLASTIC; COLOR: GREEN
- 4. W8S-P012 WEDGE MAY BE USED ONLY WITH DT06-08S*-P012 PLUG.
- 3. CONSULT FACTORY FOR APPLICATION.
- 2. DIMENSIONS ARE ±.025 [.64] UNLESS OTHERWISE SPECIFIED.

NOTES: 1. ALL DIMENSIONS ARE IN INCHES [MILLIMETERS].

SIGNATURE & DATE	
DR	H. TRAN AUG-6-96
CHK	<i>[Signature]</i> 3/4/09
PE	<i>[Signature]</i> 2/16/09
APPD	<i>[Signature]</i>
SCALE	NONE WT

WEDGE LOCK
FOR
8 CONTACT PLUG
COLOR: GREEN
DT SERIES

ENVELOPE

EP	MATL. CODE
3850 INDUSTRIAL AVE. HEMET, CA 92545	
B	W8S-P012
DWG SIZE	CODE 11139 SHEET OF