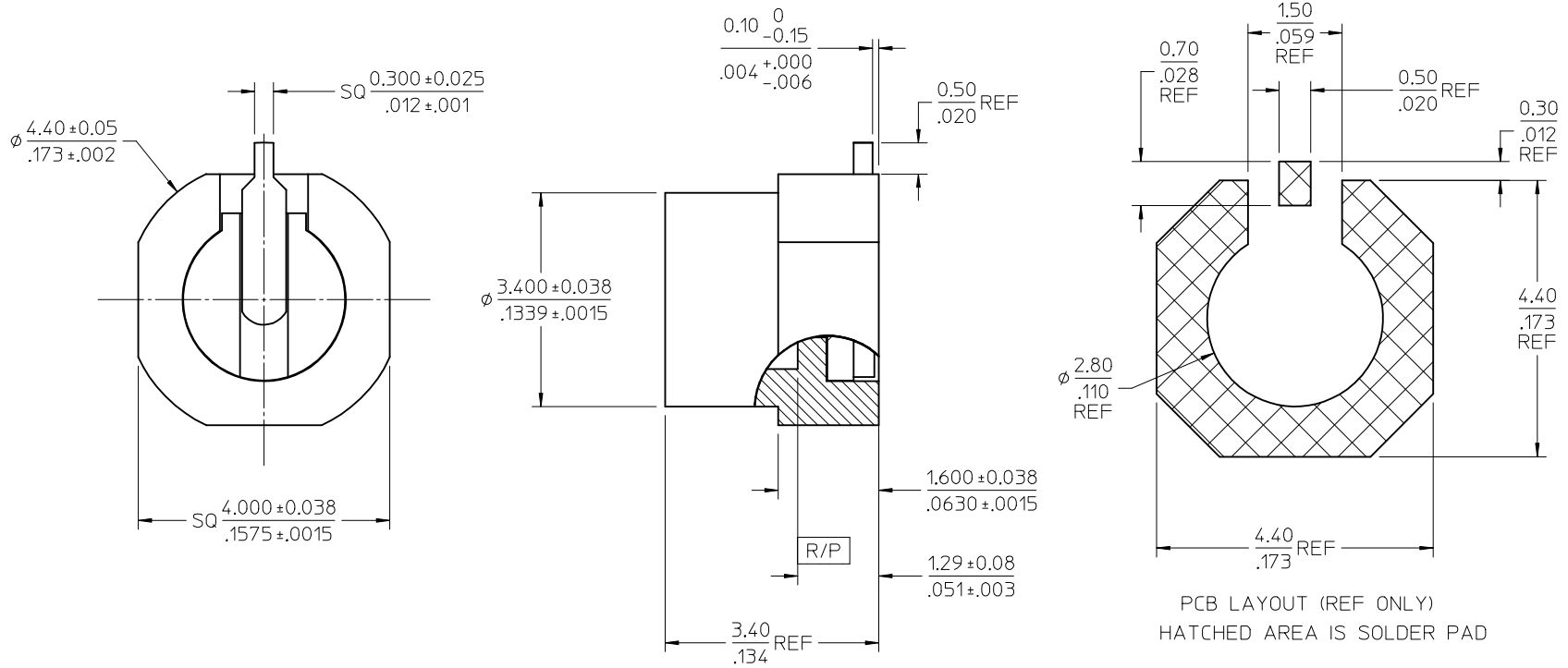
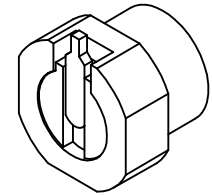


MATERIALS AND FINISHES:

OUTER CONTACT / BODY, CENTER CONTACT: BRASS
 PLATED: GOLD (5μ-in MIN)
 OVER NICKEL (80μ-in MIN)

INSULATOR: PTFE



73300-0462	TAPE AND REEL WITH KAPTON TAPE
73300-0461	TAPE AND REEL (1500 PCS)
73300-0460	SMPM PLUG FULL DETENT INTERFACE (TRAY)
PART NO.	DESCRIPTION
MIL-STD-348B, FIG. 328.2	INTERFACE
SPECIFICATION	DESCRIPTION

CHG: ADD 129/051 DIM IN D5 ZONE. UPD MATERIAL & FINISHES NOTE. EC NO: URF2017-0389 DRWN:APRAKASHO1 2017/05/18 CHYKD:BBB 2017/05/18 APPR:AROBERTSON 2017/06/26	QUALITY SYMBOLS	GENERAL TOLERANCES (UNLESS SPECIFIED)	DIMENSION STYLE	SCALE	DESIGN UNITS	THIRD ANGLE PROJECTION
	▽=0	mm INCH	MM/IN		METRIC	
	▽=0	4 PLACES ± --- ± ---	DRAWN BY DATE	TITLE		
	▽=0	3 PLACES ± --- ± .010	CHECKED BY DATE			
		2 PLACES ± 0.25 ± ---	SSS 2014/10/08			
		1 PLACE ± --- ± ---	APPROVED BY DATE			
		0 PLACE ± --- ± ---	WSP INK 2014/10/13			
		ANGULAR ± 2 °	MATERIAL NO.	DOCUMENT NO.		
		DRAFT WHERE APPLICABLE MUST REMAIN WITHIN DIMENSIONS	SEE TABLE			
			SIZE C	THIS DRAWING CONTAINS INFORMATION THAT IS PROPRIETARY TO MOLEX INCORPORATED AND SHOULD NOT BE USED WITHOUT WRITTEN PERMISSION		

SMPM PLUG, VERTICAL SMT
 FD, REDUCED FOOTPRINT
 EWR-5464, SMPM-PCB
molex
 SD-73300-046
 SHEET NO. 1 OF 1