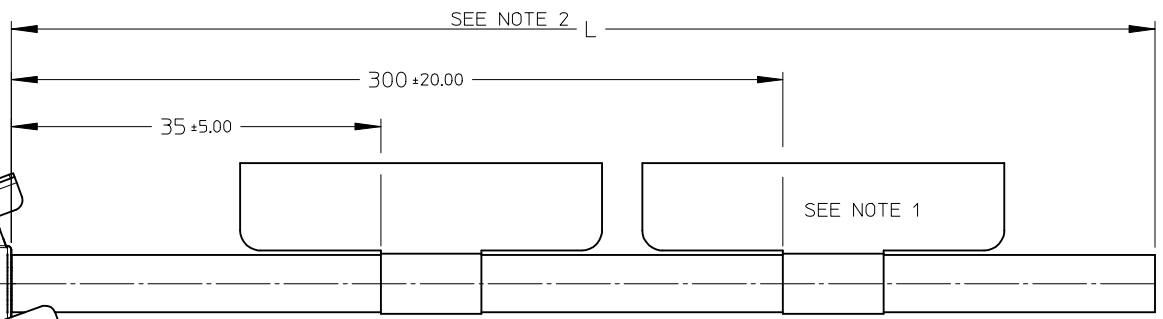
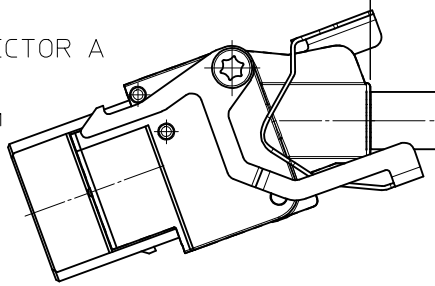


10 9 8 7 6 5 4 3 2 1

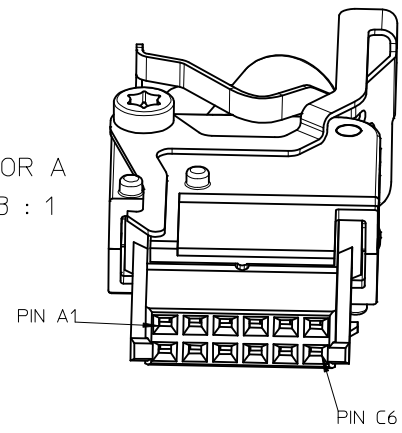
CONNECTOR A

PIN A1



SCALE 2 : 1 (LENGTH OF CABLE NOT TO SCALE)

CONNECTOR A
SCALE 3 : 1

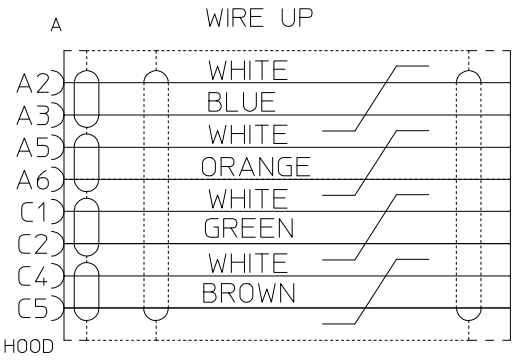


| CHART | | |
|-----------------------------|--------|------|
| CABLE ASSEMBLY | | |
| CUSTOMER MATERIAL NO.: | | UNIT |
| MOLEX REVISION NUMBER (Y) | R1 | |
| MOLEX MATERIAL NO.: | 85372- | 0100 |
| LENGTH CABLE ASSEMBLY (L) | | M |
| | | INCH |

| | LENGTH | TOLERANCE |
|----------------|-------------------|-----------|
| FINISHED CABLE | L < 0.5 M | +5 MM |
| | 0.5 M < L < 1.0 M | +10 MM |
| | L > 1 M | +1% L |

NOTES:
 1- LABEL MARKING: CUSTOMER NUMBER
 85372-0100 R1
 YYYY / WW MG
 LOT #

2- L = STRETCHED LENGTH OF CABLE BETWEEN HOOD ENTRY AND OPEN END



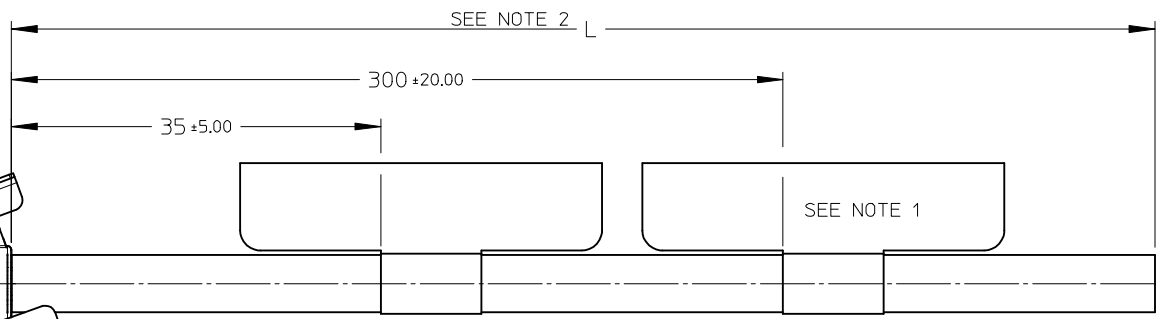
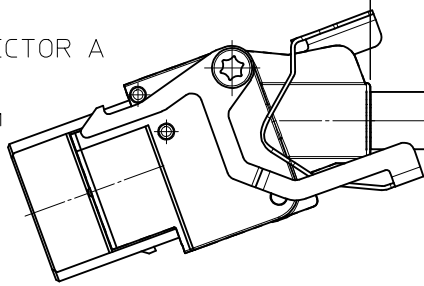
| | | | | | | | |
|---|-----------------------------------|---------------------------------------|---|-----------|------------------------------------|------------------------|---|
| EC NO: MG2005-0101 DRW: EROEZDE 2004/09/30 CHKD: RSILLER 2004/10/01 APPR: TREMHOF 2004/10/04 | QUALITY SYMBOLS ▽ - 0 ▽ - 0 | GENERAL TOLERANCES (UNLESS SPECIFIED) | | SCALE 2:1 | DESIGN UNITS METRIC | THIRD ANGLE PROJECTION | REVISE ON CAD ONLY |
| | | | mm | INCH | DIMENSION STYLE MM ONLY | | TITLE EMILY SIGNAL CABLE ASSY. SIG.- OPEN END BASIC MOLEX INCORPORATED |
| | | 4 PLACES | ± --- | ± --- | DRAWN BY EROEZDE DATE 2005/09/16 | | |
| | | 3 PLACES | ± --- | ± --- | CHECKED BY RSILLER DATE 2005/09/16 | | |
| 2 PLACES | ± 0.05 | ± --- | APPROVED BY TREMHOF DATE 2005/09/16 | | | | |
| 1 PLACE | ± 0.10 | ± --- | ANGULAR ±1/2° | | MATERIAL NO. SEE CHART | | DOCUMENT NO. SD-85372-100 |
| DRAFT WHERE APPLICABLE MUST REMAIN WITHIN DIMENSIONS | | | THIS DRAWING CONTAINS INFORMATION THAT IS PROPRIETARY TO MOLEX INCORPORATED AND SHOULD NOT BE USED WITHOUT WRITTEN PERMISSION | | SHEET NO. 1 OF 1 | | A3 |

9 8 7 6 5 4 3 2 1

10 9 8 7 6 5 4 3 2 1

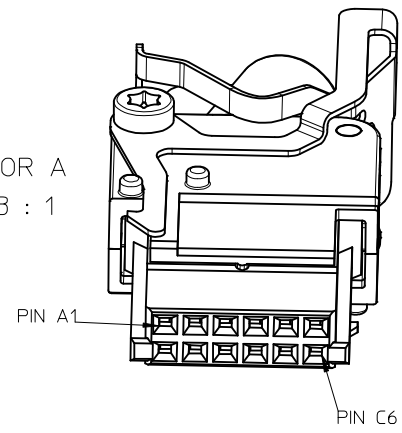
CONNECTOR A

PIN A1



SCALE 2 : 1 (LENGTH OF CABLE NOT TO SCALE)

CONNECTOR A
SCALE 3 : 1

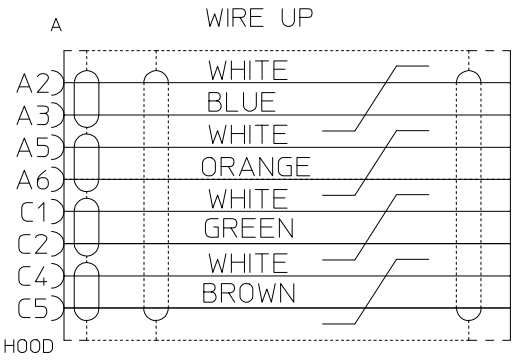


| CHART | | |
|-----------------------------|--------|------|
| CABLE ASSEMBLY | | |
| CUSTOMER MATERIAL NO.: | | UNIT |
| MOLEX REVISION NUMBER (Y) | R1 | |
| MOLEX MATERIAL NO.: | 85372- | 0100 |
| LENGTH CABLE ASSEMBLY (L) | | M |
| | | INCH |

| | LENGTH | TOLERANCE |
|----------------|-------------------|-----------|
| FINISHED CABLE | L < 0.5 M | +5 MM |
| | 0.5 M < L < 1.0 M | +10 MM |
| | L > 1 M | +1% L |

NOTES:
 1- LABEL MARKING: CUSTOMER NUMBER
 85372-0100 R1
 YYYY / WW MG
 LOT #

2- L = STRETCHED LENGTH OF CABLE BETWEEN HOOD ENTRY AND OPEN END



| | | | | | | | |
|---|-----------------------------------|---------------------------------------|---|------------------------|------------------------------------|------------------------|---|
| EC NO: MG2005-0101 DRW: EROEZDE 2004/09/30 CHKD: RSILLER 2004/10/01 APPR: TREMHOF 2004/10/04 | QUALITY SYMBOLS ▽ - 0 ▽ - 0 | GENERAL TOLERANCES (UNLESS SPECIFIED) | | SCALE 2:1 | DESIGN UNITS METRIC | THIRD ANGLE PROJECTION | REVISE ON CAD ONLY |
| | | | mm | INCH | DIMENSION STYLE MM ONLY | | TITLE EMILY SIGNAL CABLE ASSY. SIG.- OPEN END BASIC MOLEX INCORPORATED |
| | | 4 PLACES | ± --- | ± --- | DRAWN BY EROEZDE DATE 2005/09/16 | | |
| | | 3 PLACES | ± --- | ± --- | CHECKED BY RSILLER DATE 2005/09/16 | | |
| 2 PLACES | ± 0.05 | ± --- | APPROVED BY TREMHOF DATE 2005/09/16 | | | | |
| 1 PLACE | ± 0.10 | ± --- | ANGULAR ± 1/2° | MATERIAL NO. SEE CHART | DOCUMENT NO. SD-85372-100 | SHEET NO. 1 OF 1 | |
| DRAFT WHERE APPLICABLE MUST REMAIN WITHIN DIMENSIONS | | | THIS DRAWING CONTAINS INFORMATION THAT IS PROPRIETARY TO MOLEX INCORPORATED AND SHOULD NOT BE USED WITHOUT WRITTEN PERMISSION | | | | |

9 8 7 6 5 4 3 2 1