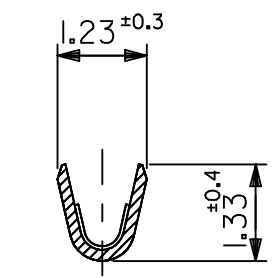
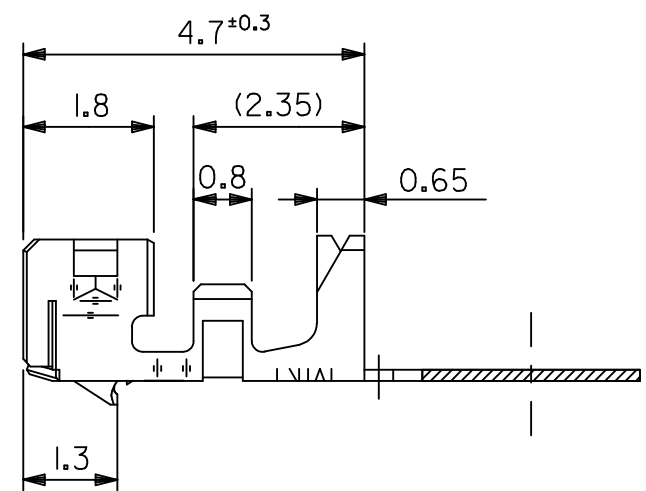
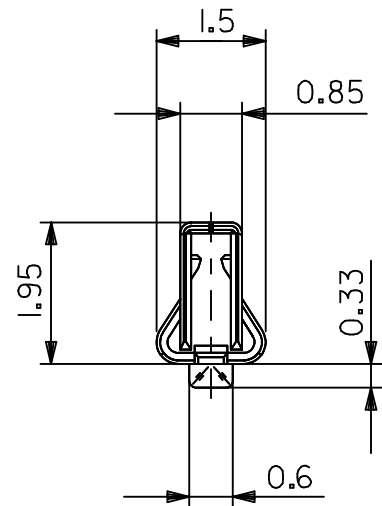
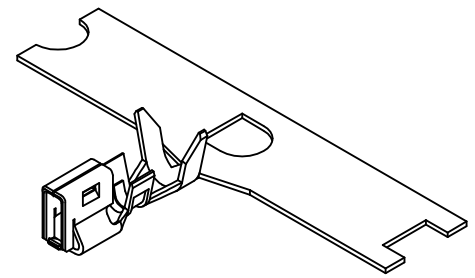
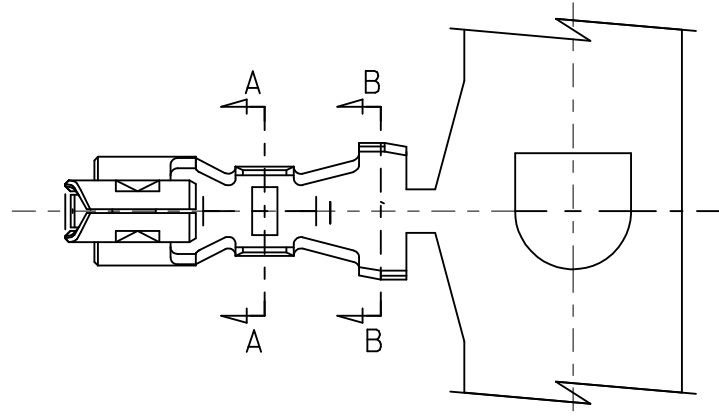
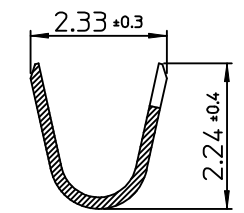


NOTES.

- 1. MATERIAL : PHOSPHOR BRONZE
- 2. FINISH : TIN PLATED.
- 3. MATED PART : 87369-***0*, 35507-***0*
- 4. PRODUCT SPECIFICATION : PS-104440-001
- 5. PACKAGING SPECIFICATION : PK-104440-001



SECT. A-A



SECT. B-B

TABLE

104440-8041	1044408041
Eng.No	Order No.

NEW RELEASED EC NO: KOR2009-0031 DRWN:SKHAN01 CHKD:WY YANG APPR:YUNSIKKIM	2008/09/17 2008/09/17 2008/09/17	DESCRIPTION QUALITY SYMBOLS ▽=0 ◻=0	GENERAL TOLERANCES (UNLESS SPECIFIED)		DIMENSION STYLE MM ONLY		SCALE ---	DESIGN UNITS METRIC	THIRD ANGLE PROJECTION			
				mm	INCH	DRAWN BY SK. HAN	DATE 2008/09/17	TITLE 2.0MM REC'S TERMINAL FOR 1.45 OD CABLE				
			4 PLACES	± ---	± ---	CHECKED BY WY. YANG	DATE 2008/09/17	MOLEX INCORPORATED DOCUMENT NO. SD-104440-001 SHEET NO. 1 OF 01				
			3 PLACES	± ---	± ---	APPROVED BY EH. JUNG	DATE 2008/09/17					
2 PLACES	± 0.3	± ---	ANGULAR ± 1 °		MATERIAL NO.		SEE TABLE					
1 PLACE	± 0.3	± ---	DRAFT WHERE APPLICABLE MUST REMAIN WITHIN DIMENSIONS		SIZE A3		THIS DRAWING CONTAINS INFORMATION THAT IS PROPRIETARY TO MOLEX INCORPORATED AND SHOULD NOT BE USED WITHOUT WRITTEN PERMISSION					