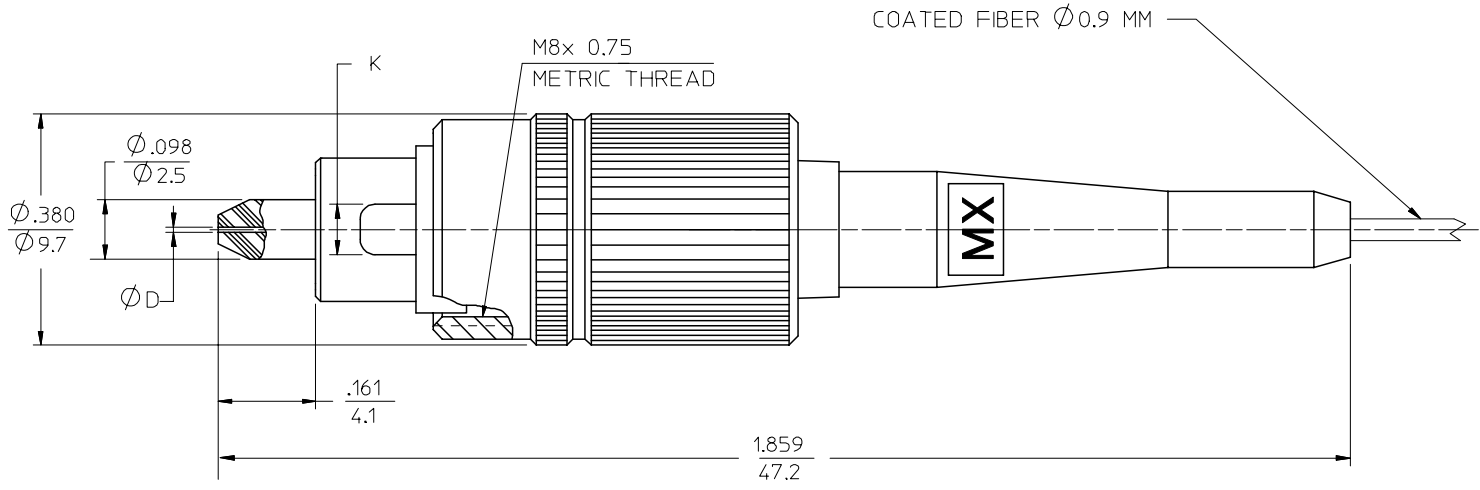


CONNECTOR P/N	Ø D (4m)	K (KEY)
106055-6550	125.5	.0785
106056-6550		.083
106055-4550	125	.0785
106056-4550		.083



NOTE:

1. DUST CAP IS NOT SHOWN.
2. ANGLE POLISHING IS ACCOMPLISHED AFTER CONNECTOR IS TERMINATED WITH FIBER AND ASSEMBLED. CONNECTOR KIT IS SUPPLIED WITHOUT ANGLE PRE-POLISHING.

ENTER DESCRIPTION EC NO: MF2008-0166 DRWNG/REVZNR CHKD: APPR: IGUMIN	2007/10/17 2007/10/17 2007/10/18	DESCRIPTION REV	QUALITY SYMBOLS ▽=0 ▽=0	GENERAL TOLERANCES (UNLESS SPECIFIED)		DIMENSION STYLE IN/MM		SCALE 4:1	DESIGN UNITS INCH	THIRD ANGLE PROJECTION
				4 PLACES ± --- ± ---	3 PLACES ± --- ± ---	DRAWN BY PGIBL IN	DATE 2005/10/24	TITLE FCII APC BARE FIB. CONN. HIGH PRECISION W/O ANGLE PREPOLISHING		
				2 PLACES ± --- ± ---	1 PLACE ± --- ± ---	CHECKED BY	DATE			
				ANGULAR ±1/2°		APPROVED BY	DATE	MOLEX INCORPORATED		
DRAFT WHERE APPLICABLE MUST REMAIN WITHIN DIMENSIONS				MATERIAL NO. SEE TABLE	DOCUMENT NO. SD-10605A-A5X0	SHEET NO. 1 OF 1		THIS DRAWING CONTAINS INFORMATION THAT IS PROPRIETARY TO MOLEX INCORPORATED AND SHOULD NOT BE USED WITHOUT WRITTEN PERMISSION		