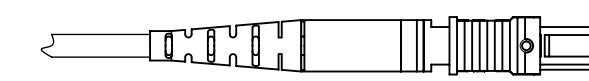
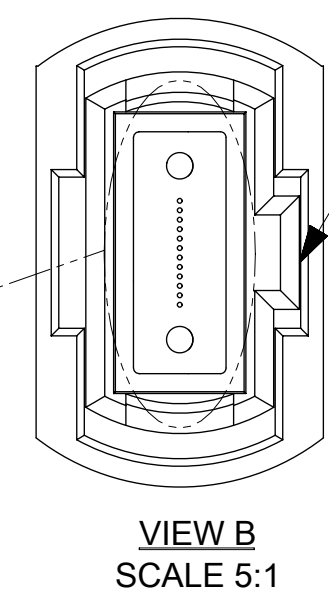
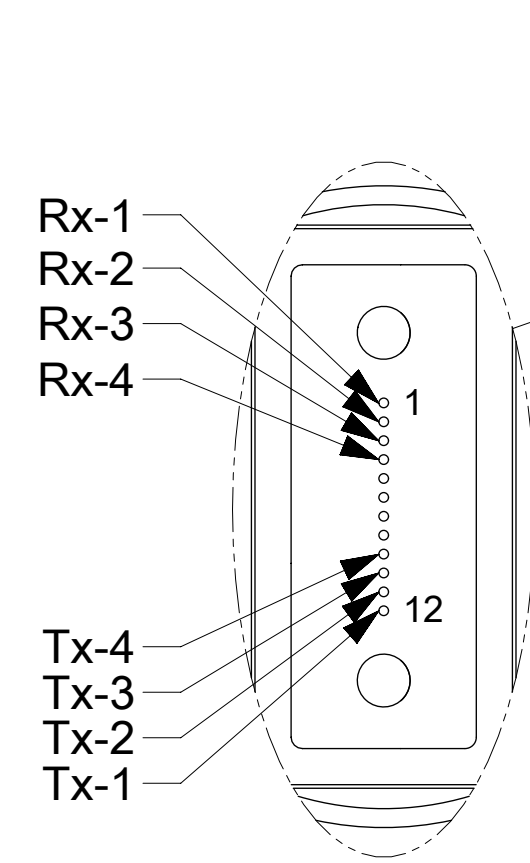


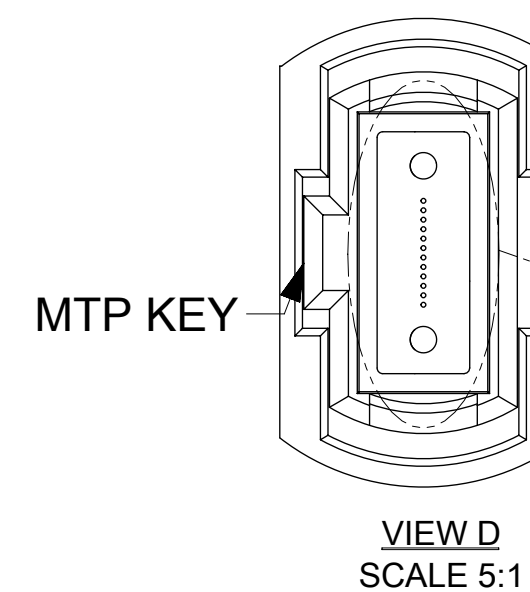
VIEW A



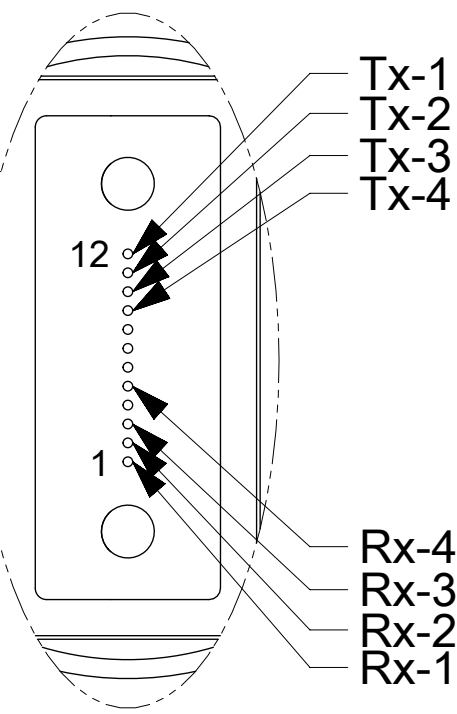
VIEW C



VIEW B  
SCALE 5:1



VIEW D  
SCALE 5:1



| OPTICAL CONNECTION |         |       |         |
|--------------------|---------|-------|---------|
| FROM P1            | FIBER # | TO P2 | FIBER # |
| Rx-1               | 1       | Tx-1  | 12      |
| Rx-2               | 2       | Tx-2  | 11      |
| Rx-3               | 3       | Tx-3  | 10      |
| Rx-4               | 4       | Tx-4  | 9       |
| dummy              | 5       | dummy | 8       |
| dummy              | 6       | dummy | 7       |
| dummy              | 7       | dummy | 6       |
| dummy              | 8       | dummy | 5       |
| Tx-4               | 9       | Rx-4  | 4       |
| Tx-3               | 10      | Rx-3  | 3       |
| Tx-2               | 11      | Rx-2  | 2       |
| Tx-1               | 12      | Rx-1  | 1       |

NOTE:

CABLE ASSEMBLY SPECIFICATIONS:

OPTICAL PROPERTIES

FIBER TYPE  
 CONNECTOR INSERTION LOSS MTP/LC (MAX.)  
 CABLE ATTENUATION (MAX.)  
 OVERFILLED LAUNCH BANDWIDTH, MIN.

MULTIMODE 50/125 μm BEND-INSENSITIVE  
 0.5/0.35 dB  
 3.5/1.2 dB/km AT 850/1300 nm  
 SEE TABLE 1

ENVIRONMENTAL PROPERTIES

CONNECTOR MATERIALS  
 CABLE FLAMMABILITY RATING  
 OPERATING TEMPERATURE RANGE

UL94 V-0  
 PLENUM OFNP (NFPA262/UL 910)  
 -0°C TO +70°C

MECHANICAL PROPERTIES

FIBER COUNT  
 CABLE MIN. BEND RADIUS  
 SHORT TERM  
 LONG TERM  
 NO LOAD

4 Tx X 4 Rx  
 45mm - SINGLE JACKET  
 72mm - DUAL JACKET  
 20mm - SINGLE JACKET  
 48mm - DUAL JACKET  
 10mm - SINGLE JACKET  
 OR SUBUNIT OF DUAL JACKET  
 >3.5 N/mm

CABLE COMPRESSION FORCE


TABLE 1

| FIBER TYPE               | OVERFILLED LAUNCH BANDWIDTH, MIN. (MHz-km) |         | 10 GIGABIT ETHERNET LINK DISTANCE, MIN. (m) |         | EFFECTIVE MODAL BANDWIDTH (MHz-km) |
|--------------------------|--|---------|---|---------|------------------------------------|
|                          | 850 nm                                     | 1300 nm | 850 nm                                      | 1300 nm | 850 nm                             |
| STANDARD BANDWIDTH (OM2) | 500  | 500     | 86  | ---     | ---                                |
| HIGH BANDWIDTH (OM3)     | 1500                                       | 500     | 300   | ---     | 2000                               |
| HIGH BANDWIDTH (OM4)     | 3500                                       | 550     | 550   | ---     | 4700                               |

THIS DRAWING CONTAINS INFORMATION THAT IS PROPRIETARY TO MOLEX ELECTRONIC TECHNOLOGIES, LLC AND SHOULD NOT BE USED WITHOUT WRITTEN PERMISSION

|  |       |                          |  |                                   |  |  |
|--|-------|--------------------------|--|-----------------------------------|--|--|
| DIMENSION UNITS                                      | SCALE | CURRENT REV DESC:        |  | <b>molex</b>                      |  |  |
| mm   | 1:1   |                          |  |                                   |  |  |
| GENERAL TOLERANCES (UNLESS SPECIFIED)                |       | EC NO: 743399            |  | MOLEX QSFP OPTICAL CABLE ASSEMBLY |  |  |
| ANGULAR TOL ± 0.5°                                   |       | DRWN: IGUMIN 2023/03/22  |  |                                   |  |  |
| 4 PLACES ±   |       | CHK'D: TTYBOR 2023/03/24 |  | PRODUCT CUSTOMER DRAWING          |  |  |
| 3 PLACES ±   |       | APPR: TTYBOR 2023/03/24  |  |                                   |  |  |
| 2 PLACES ±   |       | INITIAL REVISION:        |  | DOCUMENT NUMBER                   |  |  |
| 1 PLACE ±  |       | DRWN: IGUMIN 2007/02/13  |  |                                   |  |  |
| 0 PLACES ±   |       | APPR: IGUMIN 2007/02/13  |  | DOC TYPE                          |  |  |
| DRAFT WHERE APPLICABLE MUST REMAIN WITHIN DIMENSIONS |       | THIRD ANGLE PROJECTION   |  |                                   |  |  |
|  |       | DRAWING                  |  | REVISION                          |  |  |
|  |       | SERIES                   |  |                                   |  |  |
|  |       | D-SIZE 106283            |  | GENERAL MARKET                    |  |  |
|  |       | MATERIAL NUMBER          |  |                                   |  |  |
|  |       | CUSTOMER                 |  | 1 OF 2                            |  |  |
|  |       | SHEET NUMBER             |  |                                   |  |  |
|  |       |                          |  |                                   |  |  |

| STANDARD BANDWIDTH (OM2 FIBER) |                        |                  | HIGH BANDWIDTH (OM3 FIBER) |                      |                  | HIGH BANDWIDTH (OM4 FIBER) |                      |                  | OVERALL LENGTH L (m) |
|--------------------------------|------------------------|------------------|----------------------------|----------------------|------------------|----------------------------|----------------------|------------------|----------------------|
| ASSY P/N                       | CABLE JACKET COLOR     | CONN. BODY COLOR | ASSY P/N                   | CABLE JACKET COLOR   | CONN. BODY COLOR | ASSY P/N                   | CABLE JACKET COLOR   | CONN. BODY COLOR |                      |
| TBD                            | ORANGE (SINGLE JACKET) | BLACK            | 1062831000                 | AQUA (SINGLE JACKET) | AQUA             | 1062837501                 | AQUA (SINGLE JACKET) | AQUA             | 0.5 +0.1/-0          |
| 1062830001                     |                        |                  | 1062831001                 |                      |                  | 1062837001                 |                      |                  | 1.0 +0.2/-0          |
| 1062830115                     |                        |                  | 1062831115                 |                      |                  | 1062837502                 |                      |                  | 1.5+0.2/-0           |
| 1062830002                     |                        |                  | 1062831002                 |                      |                  | 1062837002                 |                      |                  | 2.0 +0.2/-0          |
| 1062830125                     |                        |                  | 1062831125                 |                      |                  | 1062837503                 |                      |                  | 2.5+0.2/-0           |
| 1062830003                     |                        |                  | 1062831003                 |                      |                  | 1062837003                 |                      |                  | 3.0 +0.2/-0          |
| TBA                            |                        |                  | 1062831103                 |                      |                  | TBA                        |                      |                  | 3.5 +0.2/-0          |
| 1062830004                     |                        |                  | 1062831004                 |                      |                  | 1062837004                 |                      |                  | 4.0 +0.2/-0          |
| 1062830005                     |                        |                  | 1062831005                 |                      |                  | 1062837005                 |                      |                  | 5.0 +0.2/-0          |
| 1062830006                     |                        |                  | 1062831006                 |                      |                  | 1062837006                 |                      |                  | 6.0 +0.2/-0          |
| 1062830007                     |                        |                  | 1062831007                 |                      |                  | 1062837007                 |                      |                  | 7.0 +0.2/-0          |
| 1062830008                     |                        |                  | 1062831008                 |                      |                  | 1062837008                 |                      |                  | 8.0 +0.2/-0          |
| 1062830009                     |                        |                  | 1062831009                 |                      |                  | 1062837009                 |                      |                  | 9.0 +0.2/-0          |
| 1062830010                     |                        |                  | 1062831010                 |                      |                  | 1062837010                 |                      |                  | 10.0 +0.3/-0         |
| 1062830011                     |                        |                  | 1062831011                 |                      |                  | 1062837011                 |                      |                  | 11.0 +0.3/-0         |
| 1062830012                     |                        |                  | 1062831012                 |                      |                  | 1062837012                 |                      |                  | 12.0 +0.3/-0         |
| 1062830013                     |                        |                  | 1062831013                 |                      |                  | 1062837013                 |                      |                  | 13.0 +0.3/-0         |
| 1062830014                     |                        |                  | 1062831014                 |                      |                  | 1062837014                 |                      |                  | 14.0 +0.3/-0         |
| 1062830015                     |                        |                  | 1062831015                 |                      |                  | 1062837015                 |                      |                  | 15.0 +0.3/-0         |
| 1062830016                     |                        |                  | 1062831016                 |                      |                  | 1062837016                 |                      |                  | 16.0 +0.3/-0         |
| 1062830017                     |                        |                  | 1062831017                 |                      |                  | 1062837017                 |                      |                  | 17.0 +0.3/-0         |
| 1062830018                     |                        |                  | 1062831018                 |                      |                  | 1062837018                 |                      |                  | 18.0 +0.3/-0         |
| 1062830019                     |                        |                  | 1062831019                 |                      |                  | 1062837019                 |                      |                  | 19.0 +0.3/-0         |
| 1062830020                     |                        |                  | 1062831020                 |                      |                  | 1062837020                 |                      |                  | 20.0 +0.4/-0         |
| 1062830021                     |                        |                  | 1062831021                 |                      |                  | 1062837021                 |                      |                  | 21.0 +0.4/-0         |
| 1062830022                     |                        |                  | 1062831022                 |                      |                  | 1062837022                 |                      |                  | 22.0 +0.4/-0         |
| 1062830023                     |                        |                  | 1062831023                 |                      |                  | 1062837023                 |                      |                  | 23.0 +0.4/-0         |
| 1062830024                     |                        |                  | 1062831024                 |                      |                  | 1062837024                 |                      |                  | 24.0 +0.4/-0         |
| 1062830025                     |                        |                  | 1062831025                 |                      |                  | 1062837025                 |                      |                  | 25.0 +0.5/-0         |
| 1062830026                     | 1062831026             | 1062837026       | 26.0 +0.5/-0               |                      |                  |                            |                      |                  |                      |
| 1062830027                     | 1062831027             | 1062837027       | 27.0 +0.5/-0               |                      |                  |                            |                      |                  |                      |
| 1062830028                     | 1062831028             | 1062837028       | 28.0 +0.5/-0               |                      |                  |                            |                      |                  |                      |
| 1062830029                     | 1062831029             | 1062837029       | 29.0 +0.5/-0               |                      |                  |                            |                      |                  |                      |
| 1062830030                     | ORANGE (DUAL JACKET)   | 1062831030       | 1062837030                 | 30.0 +0.6/-0         |                  |                            |                      |                  |                      |
| 1062830035                     |                        | 1062831035       | 1062837035                 | 35.0 +0.7/-0         |                  |                            |                      |                  |                      |
| 1062830040                     |                        | 1062831040       | 1062837040                 | 40.0 +0.8/-0         |                  |                            |                      |                  |                      |
| 1062830045                     |                        | 1062831045       | 1062837045                 | 45.0 +0.9/-0         |                  |                            |                      |                  |                      |
| 1062830050                     |                        | 1062831050       | 1062837050                 | 50.0 +1.0/-0         |                  |                            |                      |                  |                      |
|                                |                        | 1062831055       | 1062837055                 | 55.0 +1.1/-0         |                  |                            |                      |                  |                      |
|                                |                        | 1062831060       | 1062837060                 | 60.0 +1.2/-0         |                  |                            |                      |                  |                      |
|                                |                        | 1062831065       | 1062837065                 | 65.0 +1.3/-0         |                  |                            |                      |                  |                      |
|                                |                        | 1062831070       | 1062837070                 | 70.0 +1.4/-0         |                  |                            |                      |                  |                      |
|                                |                        | 1062831075       | 1062837075                 | 75.0 +1.5/-0         |                  |                            |                      |                  |                      |
|                                |                        | 1062831080       | 1062837080                 | 80.0 +1.6/-0         |                  |                            |                      |                  |                      |
|                                | 1062831085             | 1062837085       | 85.0 +1.7/-0               |                      |                  |                            |                      |                  |                      |
|                                | 1062831090             | 1062837090       | 90.0 +1.8/-0               |                      |                  |                            |                      |                  |                      |
|                                | 1062831095             | 1062837095       | 95.0 +1.9/-0               |                      |                  |                            |                      |                  |                      |
|                                | 1062831100             | 1062837100       | 100.0 +2.0/-0              |                      |                  |                            |                      |                  |                      |
|                                | 1062831120             | TBA              | 120.0 +2.4/-0              |                      |                  |                            |                      |                  |                      |
|                                | 1062831150             | 1062837150       | 150.0 +3.0/-0              |                      |                  |                            |                      |                  |                      |
|                                | 1062831300             | TBA              | 300.0 +6.0/-0              |                      |                  |                            |                      |                  |                      |
|                                | TBA                    | 1062837400       | 400.0 +8.0/-0              |                      |                  |                            |                      |                  |                      |

|   |  |       |  |   |  |         |  |  |  |                |          |                          |  |  |  |
|---|--|-------|--|---|--|---------|--|--|--|----------------|----------|--------------------------|--|--|--|
| THIS DRAWING CONTAINS INFORMATION THAT IS PROPRIETARY TO MOLEX ELECTRONIC TECHNOLOGIES, LLC AND SHOULD NOT BE USED WITHOUT WRITTEN PERMISSION |  |       |  |   |  |         |  |  |  |                |          |                          |  |  |  |
| DIMENSION UNITS   |  | SCALE |  | CURRENT REV DESC:   |  |         |  | <br>MOLEX QSFP OPTICAL CABLE ASSEMBLY |  |                |          |                          |  |  |  |
| mm  |  | 1:1   |  |   |  |         |  |  |  |                |          |                          |  |  |  |
| GENERAL TOLERANCES (UNLESS SPECIFIED)   |  |       |  | EC NO: 743399<br>DRWN: IGUMIN 2023/03/22<br>CHK'D: TTYBOR 2023/03/24<br>APPR: TTYBOR 2023/03/24 |  |         |  |  |  |                |          | PRODUCT CUSTOMER DRAWING |  |  |  |
| ANGULAR TOL ± 0.5°  |  |       |  |   |  |         |  |  |  |                |          |                          |  |  |  |
| 4 PLACES ±  |  |       |  | INITIAL REVISION:<br>DRWN: IGUMIN 2007/02/13<br>APPR: IGUMIN 2007/02/13                         |  |         |  | DOCUMENT NUMBER  |  | DOC TYPE       | DOC PART | REVISION                 |  |  |  |
| 3 PLACES ±  |  |       |  |   |  |         |  | SD-106283-00XX   |  | PSD            | 001      | E12                      |  |  |  |
| 2 PLACES ±  |  |       |  | DRAFT WHERE APPLICABLE MUST REMAIN WITHIN DIMENSIONS  |  |         |  | MATERIAL NUMBER  |  | CUSTOMER       |          | SHEET NUMBER             |  |  |  |
| 1 PLACE ±   |  |       |  |   |  |         |  | SEE TABLE  |  | GENERAL MARKET |          | 2 OF 2                   |  |  |  |
| 0 PLACES ±  |  |       |  | THIRD ANGLE PROJECTION  |  | DRAWING |  | SERIES   |  |                |          |                          |  |  |  |
|   |  |       |  | D-SIZE  |  | 106283  |  |  |  |                |          |                          |  |  |  |